

BALDOR • RELIANCE

Customer information packet

CSSEWDM3615T

5HP, 1750RPM, 3PH, 60HZ, 184TC, 3646M, TEFC, F1

Class -

Division - Not Applicable

Specifications

Enclosure	TEFC
Frame	184TC
Frame Material	Stainless Steel
Frequency	60.00 Hz
Motor Letter Type	Three Phase
Output @ Frequency	5.000 HP @ 60 HZ
Phase	3
Synchronous Speed @ Frequency	1800 RPM @ 60 HZ
Voltage @ Frequency	230.0 V @ 60 HZ 460.0 V @ 60 HZ
XP Division	Not Applicable
Ambient Temperature	40 °C
Auxillary Box	No Auxillary Box
Auxillary Box Lead Termination	None
Base Indicator	Rigid
Bearing Grease Type	Polyrex EM (-20F +300F)
Blower	None
Current @ Voltage	13.000 A @ 230.0 V 13.800 A @ 208.0 V 6.500 A @ 460.0 V
Design Code	B
Drip Cover	No Drip Cover
Duty Rating	CONT
Efficiency @ 100% Load	89.5 %
Electrically Isolated Bearing	Not Electrically Isolated
Feedback Device	NO FEEDBACK
Front Face Code	Standard
Front Shaft Indicator	None
Heater Indicator	No Heater
High Voltage Full Load Amps	6.5 a
Insulation Class	H
Inverter Code	Inverter Ready

Part detail

Revision	V
Type	AC
Mech. spec.	36G560
Base	
Status	PRD/A
Elec. spec.	36WGS953
Layout	36LYG560
Eff. date	06-19-2023
CD Diagram	CD0005
Poles	04
Leads	9#16
Proprietary	False
Created date	06-04-2012

KVA Code	J
Lifting Lugs	Standard Lifting Lugs
Locked Bearing Indicator	Locked Bearing
Motor Lead Exit	Ko Box
Motor Lead Quantity/Wire Size	9 @ 16 AWG
Motor Lead Termination	Flying Leads
Motor Standards	NEMA
Motor Type	3646M
Mounting Arrangement	F1
Number of Poles	4
Overall Length	19.25 IN
Power Factor	81
Product Family	Washdown All Stainless
Pulley End Bearing Type	Sealed Bearing
Pulley Face Code	C-Face
Pulley Shaft Indicator	Standard
Rodent Screen	None
Service Factor	1.15
Shaft Diameter	1.125 IN
Shaft Extension Location	Pulley End
Shaft Ground Indicator	No Shaft Grounding
Shaft Rotation	Reversible
Shaft Slinger Indicator	Shaft Slinger
Speed	1750 rpm
Speed Code	Single Speed
Starting Method	Direct on line
Thermal Device - Bearing	None
Thermal Device - Winding	None
Vibration Sensor Indicator	No Vibration Sensor
Winding Thermal 1	None
Winding Thermal 2	None

Nameplate

NP1953B01

CAT.NO.	CSSEWDM3615T						
SPEC.	36G560S953G1						
HP	5						
VOLTS	230/460						
AMP	13/6.5						
RPM	1750						
FRAME	184TC		HZ	60		PH	3
SER.F.	1.15	CODE	J	DES	B	CLASS	H
NEMA-NOM-EFF	89.5	PF	81				
RATING	40C AMB-CONT						
CC	010A	USABLE AT 208V				N/A	
DE	6206	ODE	6206				
ENCL	TEFC	SN					

AC Induction Motor Performance Data

Record # 57384

Typical performance - not guaranteed values

Winding: 36WGS953-R006		Type: 3646M		Enclosure: TEFC	
Nameplate Data			460 V, 60 Hz: High Voltage Connection		
Rated Output (HP)	5	Full Load Torque	15.03 LB-FT		
Volts	230/460	Start Configuration	direct on line		
Full Load Amps	13/6.5	Breakdown Torque	57.4 LB-FT		
R.P.M.	1750	Pull-up Torque	28.9 LB-FT		
Hz	60 Phase	3	Locked-rotor Torque	32.3 LB-FT	
NEMA Design Code	B KVA Code	J	Starting Current	47.9 A	
Service Factor (S.F.)		1.15	No-load Current	2.91 A	
NEMA Nom. Eff.	89.5 Power Factor	81	Line-line Res. @ 25°C	2.34 Ω	
Rating - Duty	40C AMB-CONT		Temp. Rise @ Rated Load	75°C	
S.F. Amps			Temp. Rise @ S.F. Load	91°C	
			Locked-rotor Power Factor	39	
			Rotor inertia	0.428 lb-ft ²	

Load Characteristics 460 V, 60 Hz, 5 HP

% of Rated Load	25	50	75	100	125	150	S.F.
Power Factor	42	64	75	90	83	84	86
Efficiency	86.7	90.5	90.8	89.3	88.4	86.6	88.8
Speed	1788	1776	1763	1748	1732	1714	1738
Line amperes	3.27	4.1	5.2	6.53	8.02	9.69	7.42

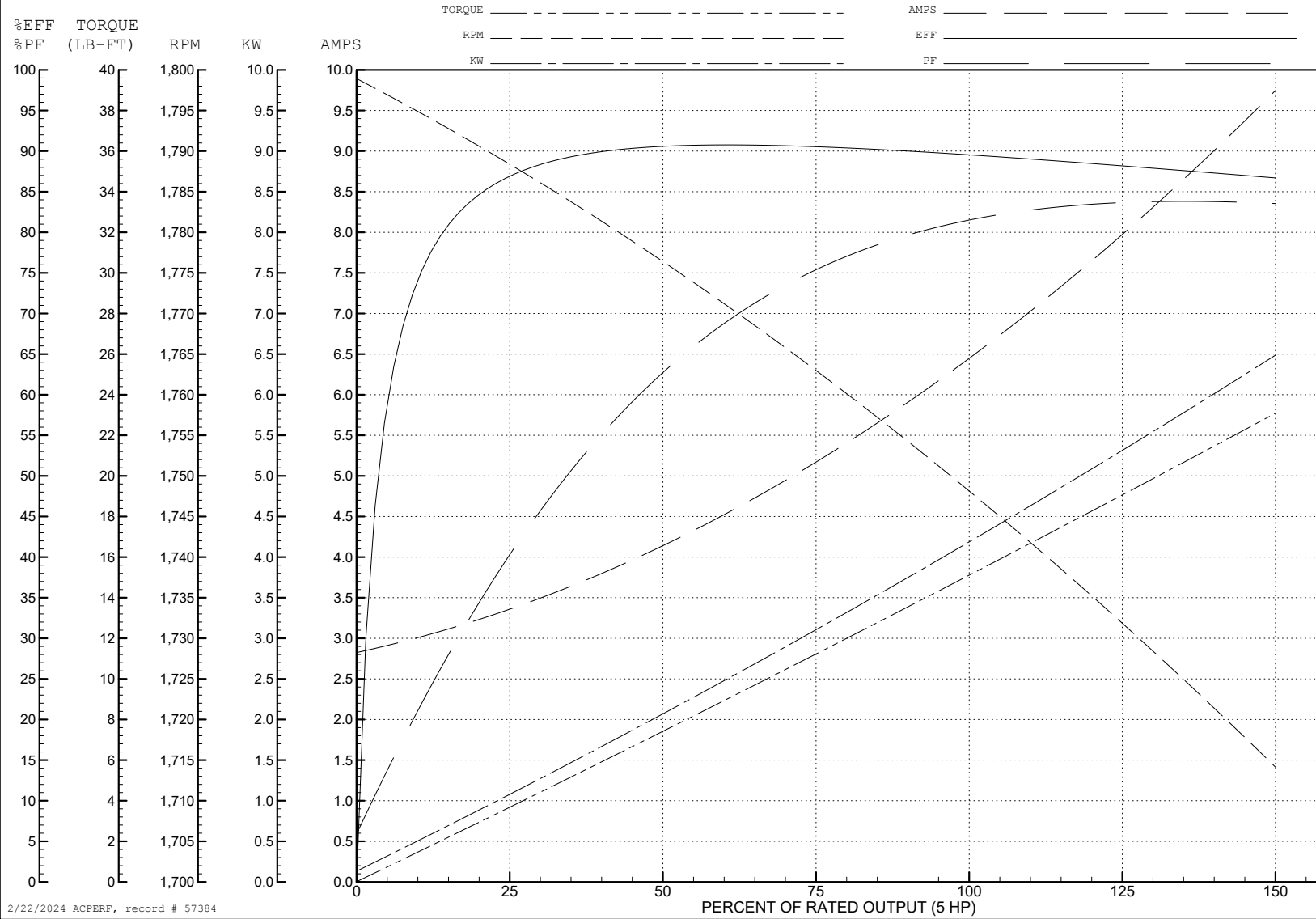
ABB Motors and Mechanical Inc.

WINDING # 36WGS953

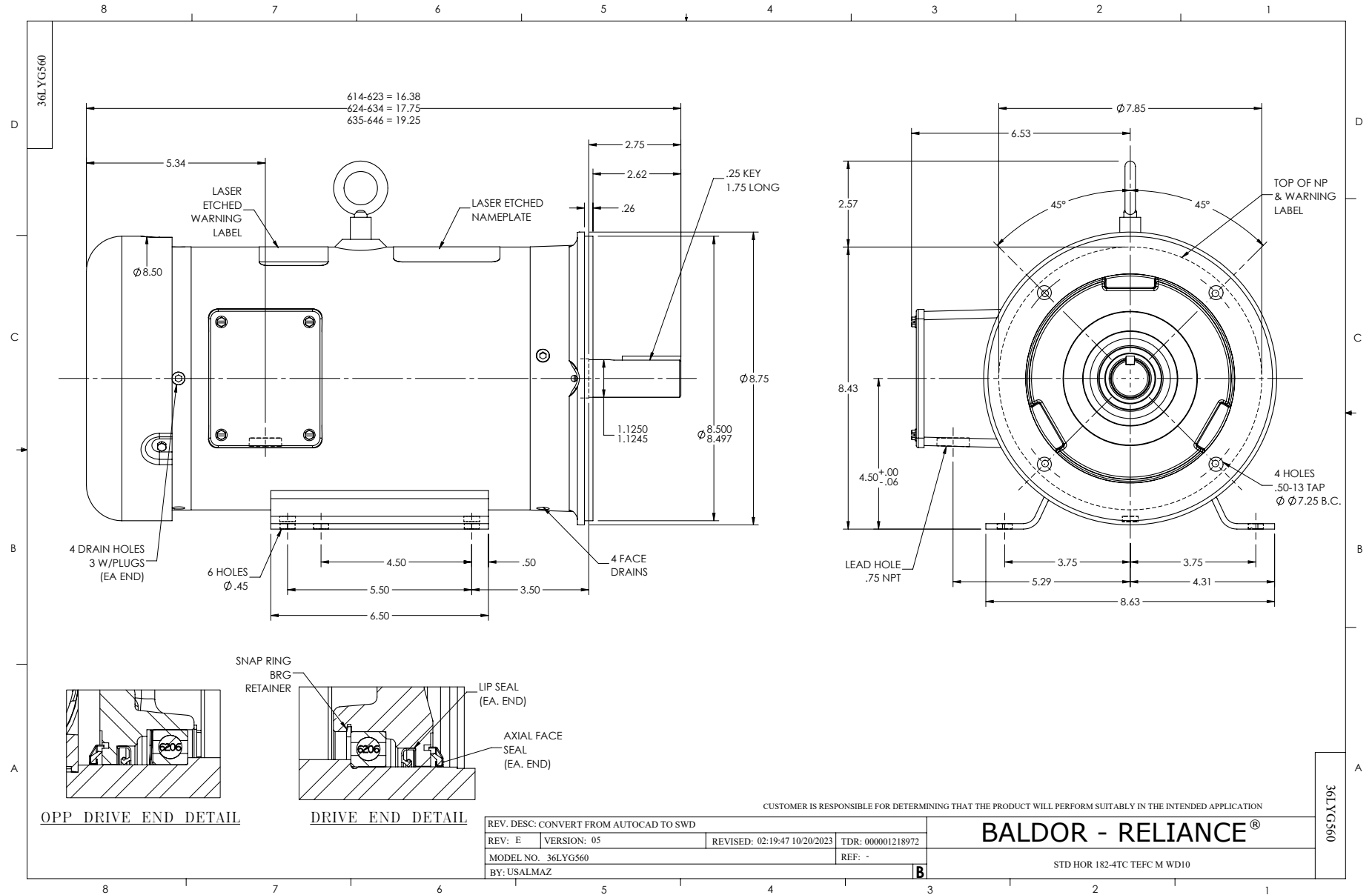
5 HP 3 PH 60 HZ 1750 RPM 460 V 3646M

Typical performance - not guaranteed values.

TORQUES (LB-FT): PO=57.4 PU=28.9 LR=32.3 LRA=47.9



2/22/2024 ACPERF, record # 57384



CD0005



LOW VOLTAGE
(2Y)



LINE

HIGH VOLTAGE
(1Y)



LINE

NOTES:

1. INTERCHANGE ANY TWO LINE LEADS TO REVERSE ROTATION.
2. OPTIONAL THERMOSTATS ARE PROVIDED WHEN SPECIFIED.
3. ACTUAL NUMBER OF INTERNAL PARALLEL CIRCUITS MAY BE A MULTIPLE OF THOSE SHOWN ABOVE.
4. LEAD COLORS ARE OPTIONAL. LEADS MUST ALWAYS BE NUMBERED AS SHOWN.

CD0005

REV. DESC: REVISE TO SHOW OPTIONAL COLORS			
REV. LTR: E	BY: JLP	REVISED: 01/19/99 10:15	TDR: 0171435
S00000		FILE: AAA00005140	MDL: -
		MTL: -	

BALDOR ELECTRIC Co.

3PH, DV, 9 LEADS