



---

# Customer information packet

## CSSEWDM3611T

3HP, 1760RPM, 3PH, 60HZ, 182TC, 3636M, TEFC, F1

Class -

Division - Not Applicable

## Specifications

Enclosure	TEFC
Frame	182TC
Frame Material	Stainless Steel
Frequency	60.00 Hz
Motor Letter Type	Three Phase
Output @ Frequency	3.000 HP @ 60 HZ
Phase	3
Synchronous Speed @ Frequency	1800 RPM @ 60 HZ
Voltage @ Frequency	230.0 V @ 60 HZ 460.0 V @ 60 HZ
XP Division	Not Applicable
Ambient Temperature	40 °C
Auxillary Box	No Auxillary Box
Auxillary Box Lead Termination	None
Base Indicator	Rigid
Bearing Grease Type	Polyrex EM (-20F +300F)
Blower	None
Current @ Voltage	4.200 A @ 460.0 V 8.400 A @ 230.0 V 8.800 A @ 208.0 V
Design Code	B
Drip Cover	No Drip Cover
Duty Rating	CONT
Efficiency @ 100% Load	89.5 %
Electrically Isolated Bearing	Not Electrically Isolated
Feedback Device	NO FEEDBACK
Front Face Code	Standard
Front Shaft Indicator	None
Heater Indicator	No Heater
High Voltage Full Load Amps	4.2 a
Insulation Class	H
Inverter Code	Inverter Ready

## Part detail

Revision	U
Type	AC
Mech. spec.	36G560
Base	
Status	PRD/A
Elec. spec.	36WGS987
Layout	36LYG560
Eff. date	10-06-2023
CD Diagram	CD0005
Poles	04
Leads	9#16
Proprietary	False
Created date	07-13-2012

<b>KVA Code</b>	K
<b>Lifting Lugs</b>	Standard Lifting Lugs
<b>Locked Bearing Indicator</b>	Locked Bearing
<b>Motor Lead Exit</b>	Ko Box
<b>Motor Lead Quantity/Wire Size</b>	9 @ 16 AWG
<b>Motor Lead Termination</b>	Flying Leads
<b>Motor Standards</b>	NEMA
<b>Motor Type</b>	3636M
<b>Mounting Arrangement</b>	F1
<b>Number of Poles</b>	4
<b>Overall Length</b>	19.25 IN
<b>Power Factor</b>	76
<b>Product Family</b>	Washdown All Stainless
<b>Pulley End Bearing Type</b>	Sealed Bearing
<b>Pulley Face Code</b>	C-Face
<b>Pulley Shaft Indicator</b>	Standard
<b>Rodent Screen</b>	None
<b>Service Factor</b>	1.15
<b>Shaft Diameter</b>	1.125 IN
<b>Shaft Extension Location</b>	Pulley End
<b>Shaft Ground Indicator</b>	No Shaft Grounding
<b>Shaft Rotation</b>	Reversible
<b>Shaft Slinger Indicator</b>	Shaft Slinger
<b>Speed</b>	1760 rpm
<b>Speed Code</b>	Single Speed
<b>Starting Method</b>	Direct on line
<b>Thermal Device - Bearing</b>	None
<b>Thermal Device - Winding</b>	None
<b>Vibration Sensor Indicator</b>	No Vibration Sensor
<b>Winding Thermal 1</b>	None
<b>Winding Thermal 2</b>	None

**Nameplate**

**NP1953B01**

<b>CAT.NO.</b>	CSSEWDM3611T										
<b>SPEC.</b>	36G560S987G1										
<b>HP</b>	3										
<b>VOLTS</b>	230/460										
<b>AMP</b>	8.4/4.2										
<b>RPM</b>	1760										
<b>FRAME</b>	182TC		<b>HZ</b>	60		<b>PH</b>	3				
<b>SER.F.</b>	1.15	<b>CODE</b>	K	<b>DES</b>	B	<b>CLASS</b>	H				
<b>NEMA-NOM-EFF</b>	89.5	<b>PF</b>	76								
<b>RATING</b>	40C AMB-CONT										
<b>CC</b>		<b>USABLE AT 208V</b>					N/A				
<b>DE</b>	6206	<b>ODE</b>	6206								
<b>ENCL</b>	TEFC	<b>SN</b>									

**AC Induction Motor Performance Data**

Record # 39149

Typical performance - not guaranteed values

Winding: 36WGS987-R001		Type: 3636M	Enclosure: TEFC	
<b>Nameplate Data</b>			<b>460 V, 60 Hz: Single Voltage Motor</b>	
Rated Output (HP)	3	Full Load Torque	9.04 LB-FT	
Volts	230/460	Start Configuration	direct on line	
Full Load Amps	8.4/4.2	Breakdown Torque	34.81 LB-FT	
R.P.M.	1760	Pull-up Torque	18.62 LB-FT	
Hz	60 Phase	Locked-rotor Torque	21.9 LB-FT	
NEMA Design Code	B KVA Code	Starting Current	34.1 A	
Service Factor (S.F.)	1.15	No-load Current	2.25 A	
NEMA Nom. Eff.	89.5 Power Factor	Line-line Res. @ 25°C	3.58 Ω	
Rating - Duty	40C AMB-CONT	Temp. Rise @ Rated Load	62°C	
S.F. Amps		Temp. Rise @ S.F. Load	74°C	
		Locked-rotor Power Factor	41	
		Rotor inertia	0.335 LB-FT <sup>2</sup>	

**Load Characteristics 460 V, 60 Hz, 3 HP**

% of Rated Load	25	50	75	100	125	150	S.F.
Power Factor	36	57	69	76	80	83	78
Efficiency	82	88	89.6	89.8	89.2	88.3	89.3
Speed	1790	1781	1772	1762	1751	1738	1755
Line amperes	2.45	2.86	3.46	4.17	4.95	5.83	4.65

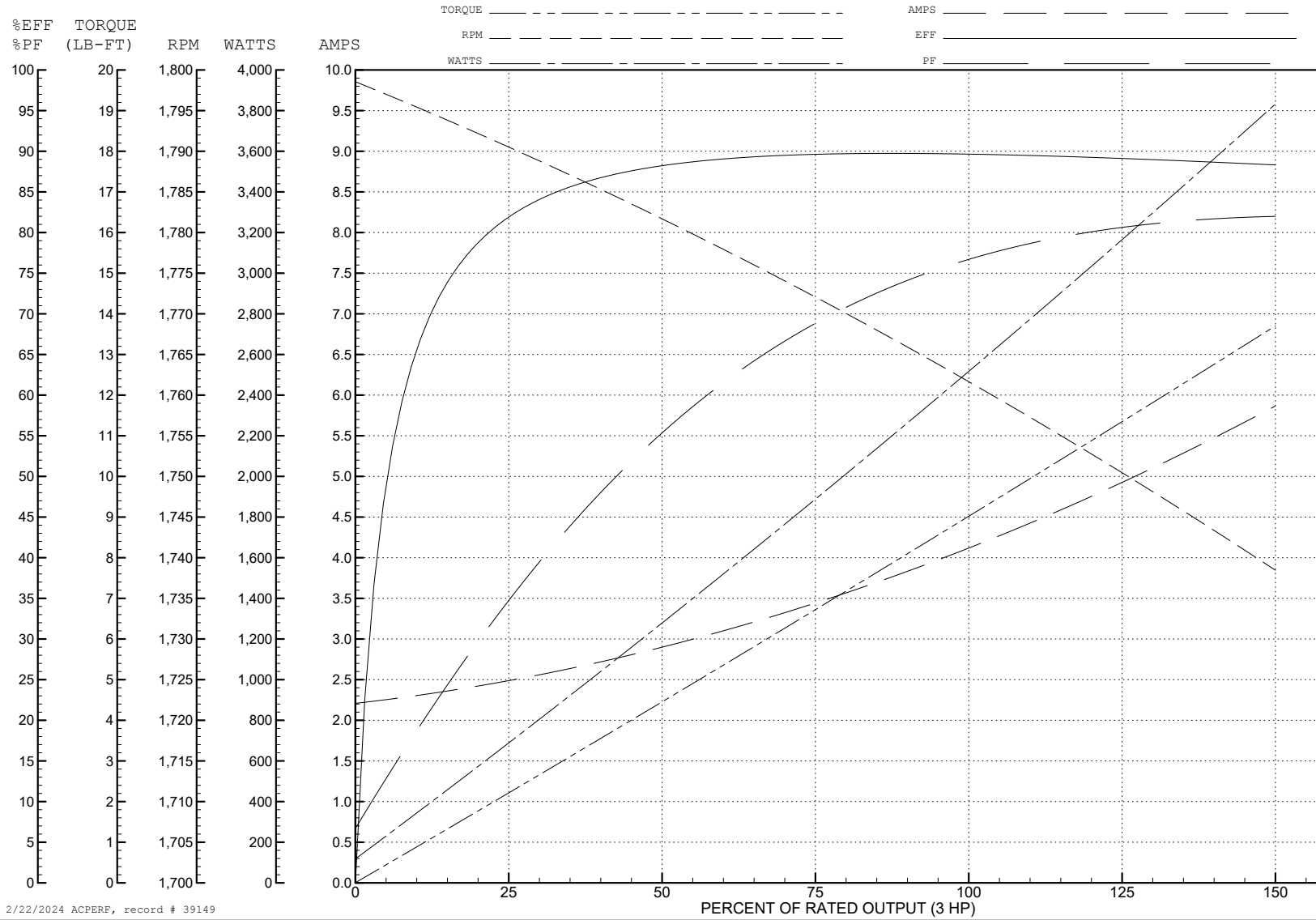
ABB Motors and Mechanical Inc.

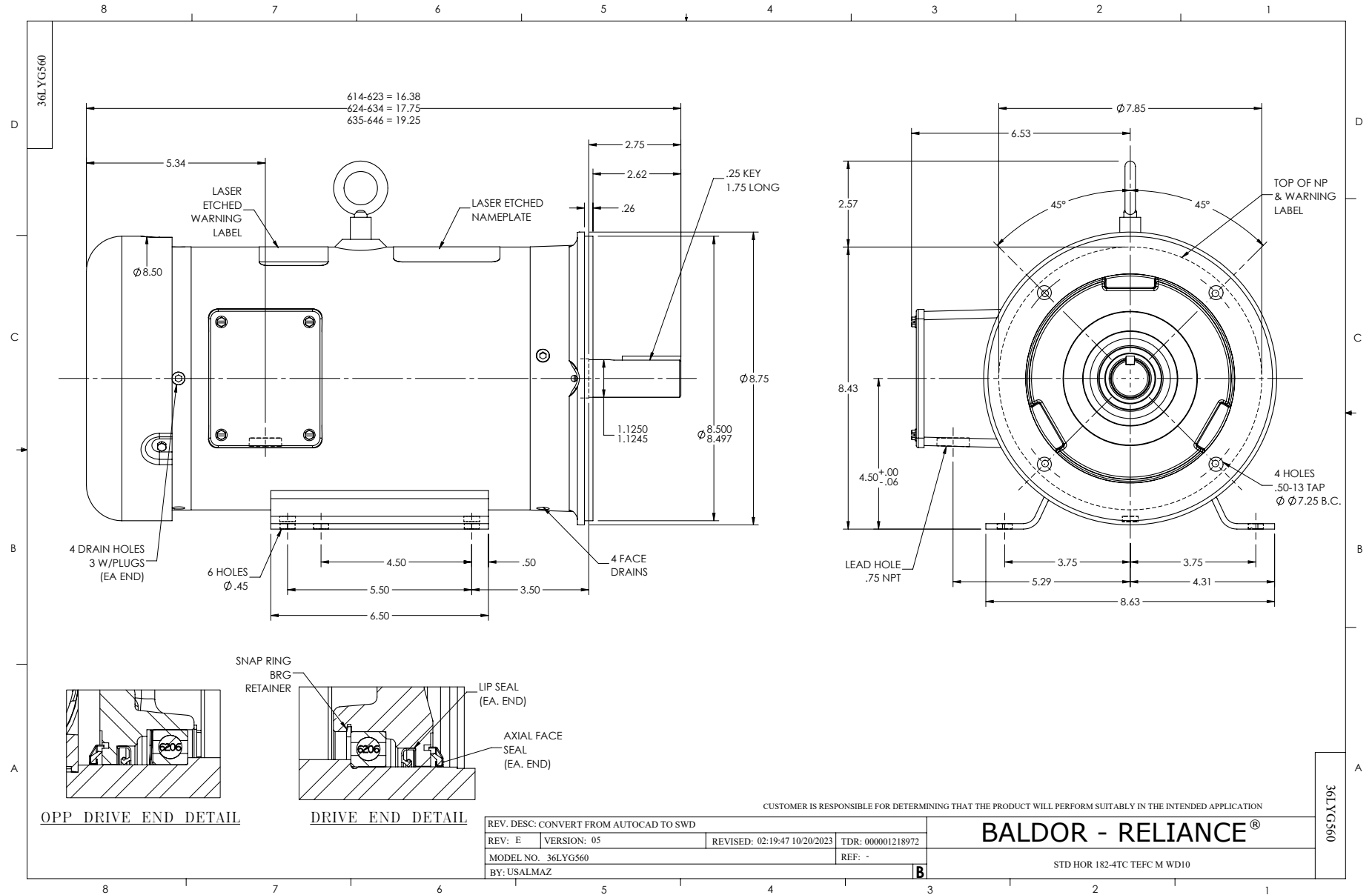
WINDING # 36WGS987

3 HP 3 PH 60 HZ 1760 RPM 460 V 3636M

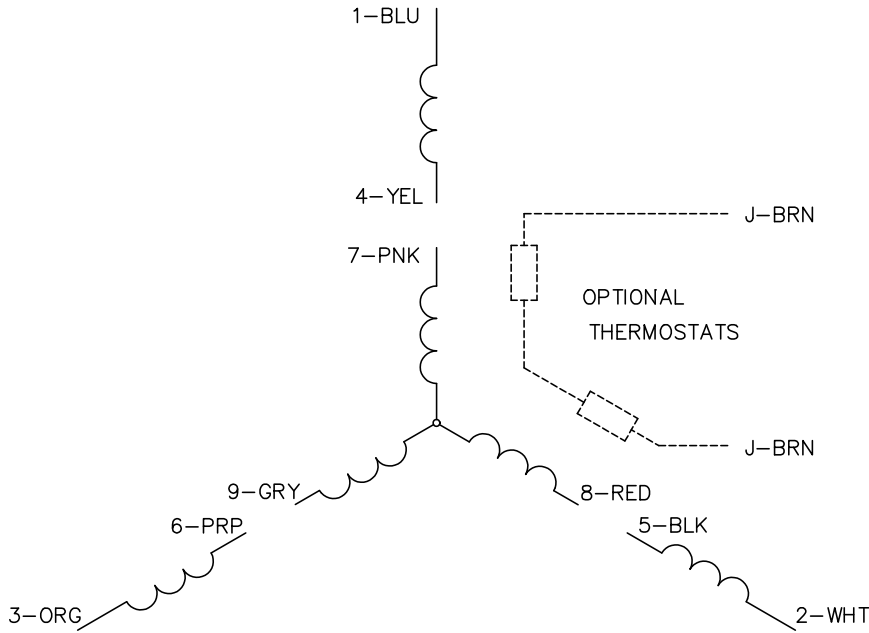
Typical performance - not guaranteed values.

TORQUES (LB-FT): PO=34.81 PU=18.62 LR=21.9 LRA=34.1

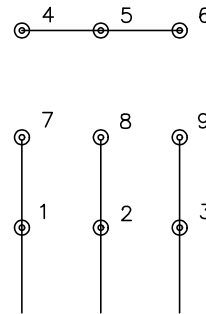




CD0005

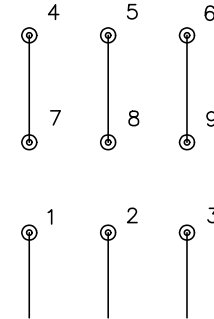


LOW VOLTAGE (2Y)



LINE

HIGH VOLTAGE (1Y)



LINE

NOTES:

1. INTERCHANGE ANY TWO LINE LEADS TO REVERSE ROTATION.
2. OPTIONAL THERMOSTATS ARE PROVIDED WHEN SPECIFIED.
3. ACTUAL NUMBER OF INTERNAL PARALLEL CIRCUITS MAY BE A MULTIPLE OF THOSE SHOWN ABOVE.
4. LEAD COLORS ARE OPTIONAL. LEADS MUST ALWAYS BE NUMBERED AS SHOWN.

CD0005

REV. DESC: REVISE TO SHOW OPTIONAL COLORS

REV. LTR: E BY: JLP REVISED: 01/19/99 10:15 TDR: 0171435

500000

FILE: AAA00005140

MDL: -

MTL: -

BALDOR ELECTRIC Co.

3PH, DV, 9 LEADS