



Customer information packet

CSPM4314T

60HP, 1785RPM, 3PH, 60HZ, 364TC, A36070M, TEFC

Class - CLI GP A,B,C,D; CLII GP F,G

Division - Division II

Specifications

Enclosure	TEFC
Frame	364TC
Frame Material	Cast Iron
Frequency	60.00 Hz
Haz Area Class and Group	CLI GP A,B,C,D; CLII GP F,G
Haz Area Division	Division II
Motor Letter Type	Three Phase
Output @ Frequency	60.000 HP @ 60 HZ
Phase	3
Synchronous Speed @ Frequency	1800 RPM @ 60 HZ
Voltage @ Frequency	230.0 V @ 60 HZ 460.0 V @ 60 HZ
Agency Approvals	CCSAUSEEV CURUSEEV NEMA_PREMIUM
Ambient Temperature	40 °C
Auxillary Box	No Auxillary Box
Base Indicator	Rigid
Bearing Grease Type	Polyrex EM (-20F +300F)
Current @ Voltage	140.000 A @ 230.0 V 189.000 A @ 208.0 V 70.000 A @ 460.0 V
Design Code	A
Drip Cover	No Drip Cover
Duty Rating	CONT
Efficiency @ 100% Load	95.4 %
Feedback Device	NO FEEDBACK
Heater Indicator	No Heater
High Voltage Full Load Amps	70.0 a
Insulation Class	F
Inverter Code	Inverter Duty
KVA Code	J

Part detail

Revision	-
Type	AC
Mech. spec.	
Base	
Status	PRD/A
Elec. spec.	A36WG4148
Layout	617431-560
Eff. date	01-03-2025
CD Diagram	416820-002
Poles	04
Leads	3#4,6#6
Proprietary	False
Created date	12-10-2024

Lifting Lugs	Standard Lifting Lugs
Max Speed	2700 rpm
Motor Lead Quantity/Wire Size	3 @ 4 AWG
Motor Standards	NEMA
Motor Type	A36070M
Mounting Arrangement	F1
Number of Poles	4
Overall Length	33.48 IN
Power Factor	84
Product Family	General Industrial
Pulley End Bearing Type	Ball
Pulley Face Code	C-Face
Service Factor	1.15
Shaft Diameter	2.374 IN
Shaft Ground Indicator	No Shaft Grounding
Shaft Rotation	Reversible
Shaft Slinger Indicator	Shaft Slinger
Speed	1785 rpm
Speed Code	Single Speed
Starting Method	Direct on line
Thermal Device - Bearing	None
Thermal Device - Winding	None

Nameplate

NP4562L

CAT NO	CSPM4314T	SPEC NO.	A36-0011-4148		I.P.	55	
HP	60	AMPS	140/70	VOLTS	230/460	DESIGN	A
FRAME SIZE	364TC	RPM	1785	MAX RPM	2700	HZ	60
D.E. BRG.	65BC03J30X	PH.3	3	DUTY	CONT	INSUL.CLASS	F
O.D.E. BRG.	65BC03J30X	TYPE P		ENCL	TEFC	SF	1.15
CODE	J	POWER FACTOR	84	MAX CORR KVAR	14.9	NEMA NOM EFFICIENCY	95.4
MOTOR WEIGHT		LBS		CL.I,DIV 2,GRP:	A,B,C,D	T.CODE	T3C
CL.1,ZONE 2,GRP:		IIA,IIB,IIC		T=	160	INVERTER T.CODE	T3
CL.II,DIV 2,GRP:	F,G	T.CODE	T3C	CL II ZONE 22 GRPS IIIB		T=	160
INVERTER T.CODE		T3		ID LOGO	INV TYPE: VPWM	CT	15
TO	60	VT	3	TO	60	CHP	60
TO	90	ID LOGO	1.0 SF VPWM	WK2	16.2	LBFT2	
SL HZ	0.5	MAG CUR	56/28		SER.NO.		
MEETS INTENT OF IEEE-45		FOR WEATHER PROTECTION					

NP2496L

MOBIL POLYREX EM

DUTY MASTER ALTERNATING CURRENT MOTORS

617431-560

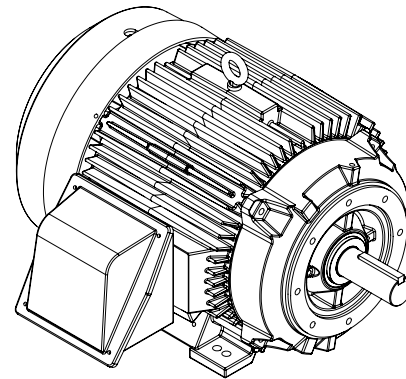
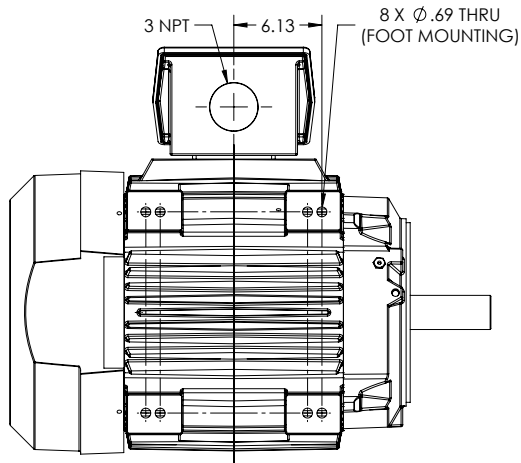
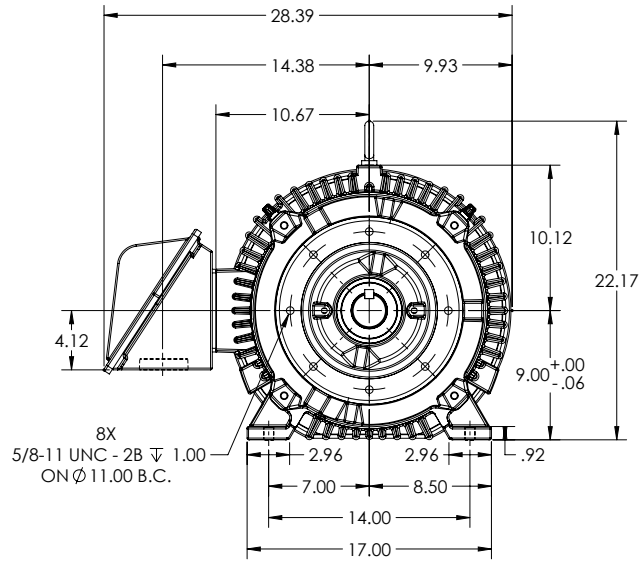
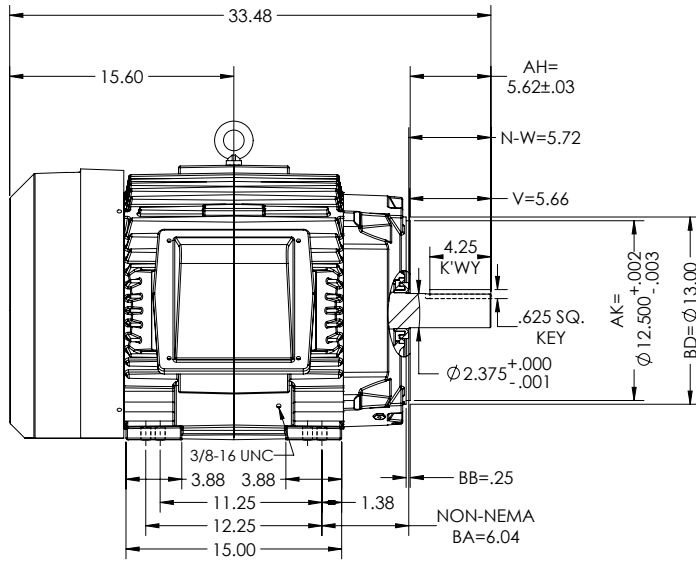
ENCLOSURE: TOTALLY ENCLOSED

MOUNTING: FOOT, F-1

SQUIRREL-CAGE INDUCTION
E364TC/E365TC FRAME DESIGN
TACONITE SEALS
DIV.2

COOLING: FAN COOLED

ENCLOSURE ENHANCEMENT: SEVERE DUTY



DIMENSIONS ARE IN INCHES.
WEIGHT (LBS.) 845. MAY VARY 15% DEPENDING ON RATING
CUSTOMER IS RESPONSIBLE FOR DETERMINING THAT MOTOR PERFORMANCE IS SUITABLE IN THE APPLICATION.

SHEET NUMBER
1 OF 1

FACE RUNNOUT & ECCENTRICITY IS .007" MAX. T.I.R.
IF MOUNTING CLEARANCE DETAILS ARE REQUIRED, CONSULT FACTORY.
MAX PERMISSIBLE SHAFT RUNOUT WHEN MEASURED AT END OF STANDARD SHAFT EXTENSION IS .003" T.I.R.

REV. DESC: UPDATE DS QUALITY			
REV: A	VERSION: 01	REVISED: 03-25-37 11/04/2024	TDR: 000001243642
MODEL NO. 617431-560			
BY: USJEDIL			

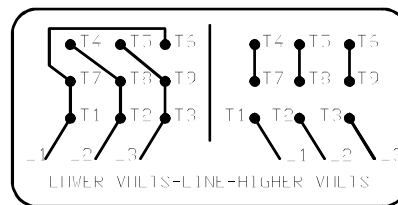
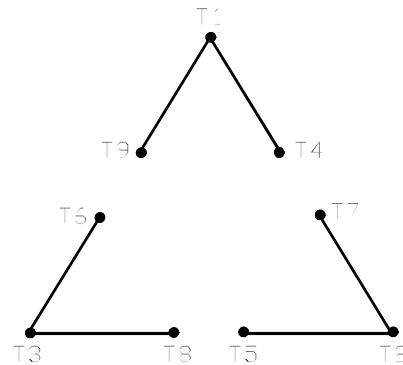
BALDOR

E365364TC TEFC FOOT F1 CAST IRON BOX/TACONITE DIV. 2

617431-560

416820-002

A-C MOTOR
 CONNECTION DIAGRAM
 STANDARD 9 LEAD DELTA-CONNECTED



(N.P. 1575-B)

416820-002

REV. DESC: FONT CHANGE FOR PDF SEARCHABLE		
REV. LTR: A	VERSION: 01	TDR: 000001009382
FILE: \MGA\00000\661	REVISED: 02:46:19 02/13/2020	BY: MGHMTT
MTL: -	© □	

BALDOR - RELIANCE®

CONN DIAG - STANDARD 9 LEAD, DELTA-CONNECTED

SH 1 of 1