

ABB BALDOR RELIANCE III

Customer information packet

CSPM4108TS

30HP, 3530RPM, 3PH, 60HZ, 284TSC, 1056M, TEFC

Class - CLI GP A,B,C,D CLII GP F,G

Division - Division II

Specifications

Enclosure	TEFC
Frame	284TSC
Frame Material	Cast Iron
Frequency	60.00 Hz
Haz Area Class and Group	CLI GP A,B,C,D CLII GP F,G
Haz Area Division	Division II
Motor Letter Type	Three Phase
Output @ Frequency	30.000 HP @ 60 HZ
Phase	3
Synchronous Speed @ Frequency	3600 RPM @ 60 HZ
Voltage @ Frequency	460.0 V @ 60 HZ 230.0 V @ 60 HZ
Agency Approvals	CSA CURUSEEV NEMA_PREMIUM WEEE
Ambient Temperature	40 °C
Auxiliary Box	NO AUXILLARY BOX
Auxiliary Box Lead Termination	None
Base Indicator	Rigid
Bearing Grease Type	Polyrex EM (-20F +300F)
Blower	None
Current @ Voltage	33.000 A @ 460.0 V 66.000 A @ 230.0 V
Design Code	A
Drip Cover	No Drip Cover
Duty Rating	CONT
Efficiency @ 100% Load	93.0 %
Electrically Isolated Bearing	Not Electrically Isolated
Feedback Device	NO FEEDBACK
Front Shaft Indicator	None
Haz Area Temp Code	T3C

Part Detail

Revision	C
Type	AC
Mech. spec.	10T014
Base	
Status	PRD/A
Elec. spec.	10WGZ895
Layout	10LYT014
Eff. date	04-17-2026
CD Diagram	CD0180
Poles	02
Leads	9#10
Proprietary	False
Created date	10-10-2024

Heater Indicator	No Heater
High Voltage Full Load Amps	33.0 a
Insulation Class	F
Inverter Code	Inverter Duty
KVA Code	H
Lifting Lugs	Standard Lifting Lugs
Locked Bearing Indicator	Locked Bearing
Max Speed	4500 rpm
Motor Lead Quantity/Wire Size	9 @ 10 AWG
Motor Lead Termination	Flying Leads
Motor Standards	NEMA
Motor Type	1056M
Mounting Arrangement	F1
Number of Poles	2
Overall Length	26.63 IN
Power Factor	90
Product Family	Chemical Processing (Not DC)
Pulley End Bearing Type	Ball
Pulley Face Code	C-Face
Pulley Shaft Indicator	Standard
Rodent Screen	None
RoHS Status	ROHS COMPLIANT
Service Factor	1.15
Shaft Diameter	1.625 IN
Shaft Ground Indicator	No Shaft Grounding
Shaft Rotation	Reversible
Shaft Slinger Indicator	No Slinger
Speed	3530 rpm
Speed Code	Single Speed
Starting Method	Direct on line
Thermal Device - Bearing	None
Thermal Device - Winding	None
Vibration Sensor Indicator	No Vibration Sensor
Winding Thermal 1	None

Winding Thermal 2

None

Nameplate

NP4439B05C23L

CAT #	CSPM4108TS		SER #			CC	010A	WGT	445	LBS	
SPEC	10T014Z895		FRAME	284TSC		ENCL	TEFC	IP	55		
RATING	40C AMB-CONT					NEMA NOM. EFF	93				
HP	30		VOLTS	230/460							
AMPS	66/33		RPM	3530		HZ	60				
PH	3	CL	F	CODE	H	DES	A	PF	90	%	
		SER.F.	1.15		SF AMP						
DE BRG	6312		ODE BRG	6311		LUBE	POLYREX EM				
INV TYPE:	VPWM	SL HZ	1.2	CHP	60	TO	75	1.3:1			
WK2	2.4	LBFT2		MAX RPM	4500	CT	6	TO	60	10:1	
MAG CUR	17.6/8.8		VT	3	TO	60	20:1				
						MEETS INTENT OF IEEE-45			FOR WEATHER PROTECTION		
CL I DIV 2 GRPS A,B,C,D				TEMP CODE	T3C	CL I INV TEMP CODE		T3A	TEMP=	180	C
CL I ZONE 2 GRPS			IIA, IIB, IIC	TEMP =	T3C	C	CL II INV TEMP CODE		T3A	TEMP =	180 C
CL II DIV 2 GRPS F&G				TEMP CODE	T3C	1.0 SF ON PWM INVERTER		POWER			
CL II ZONE 22 GRPS IIIB				TEMP=	160	C					

YR

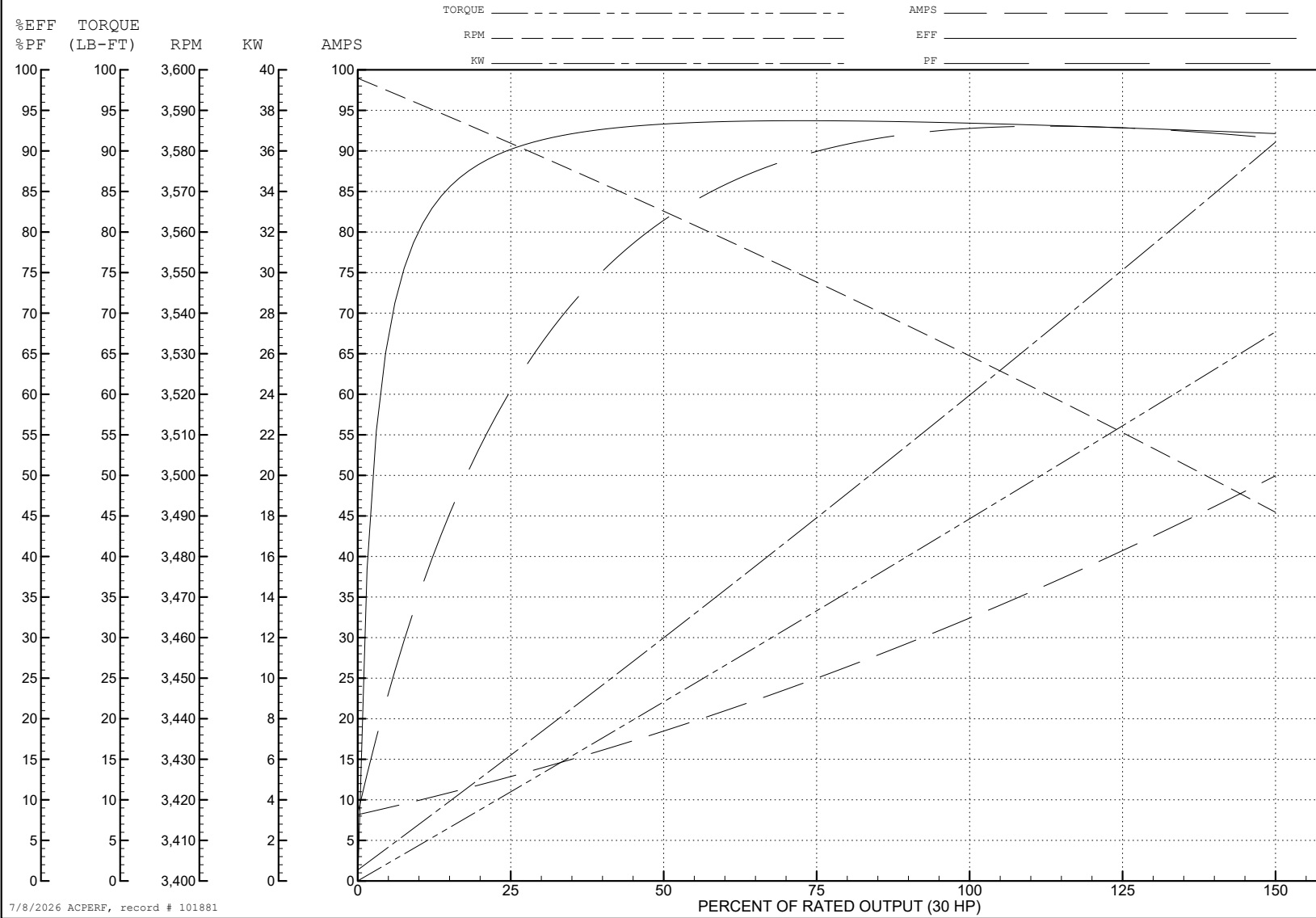
ABB Motors and Mechanical Inc.

WINDING # 10WGZ895

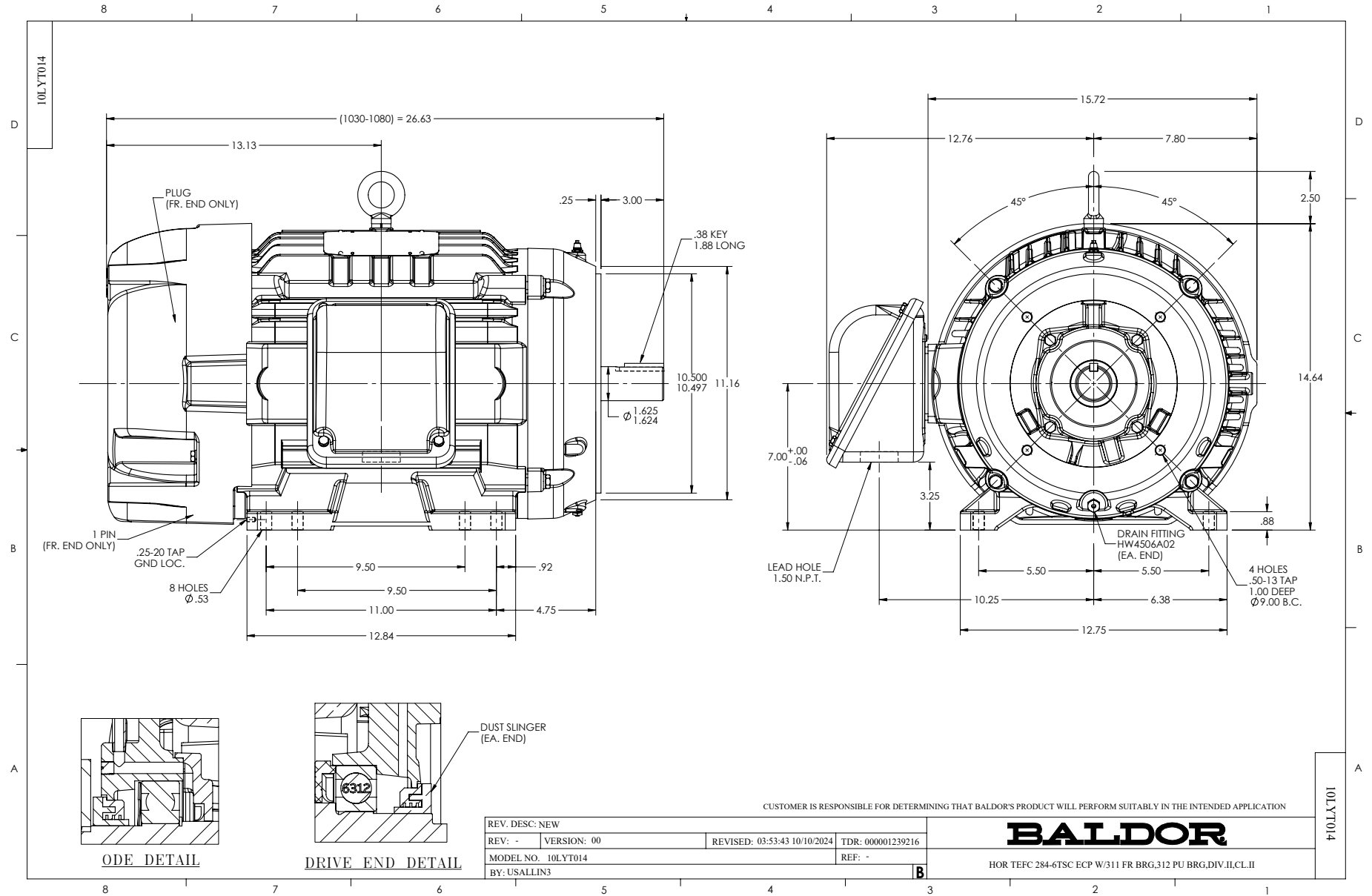
30 HP 3 PH 60 HZ 3530 RPM 460 V 1056M

Typical performance - not guaranteed values.

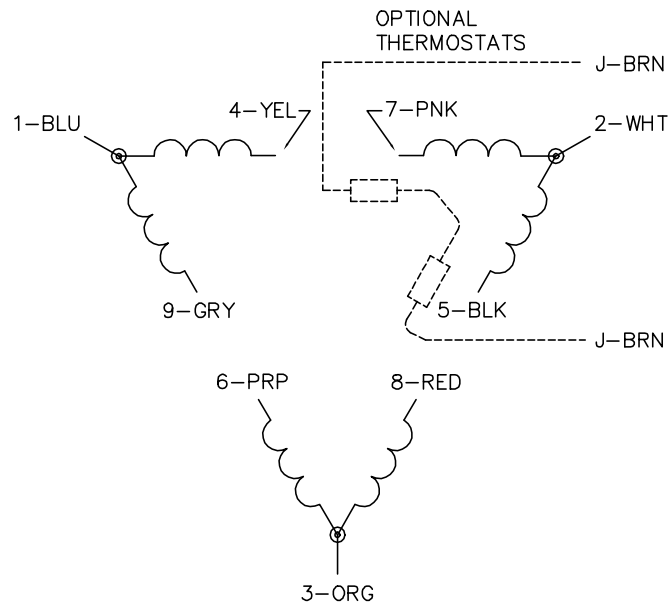
TORQUES (LB-FT): PO=183 PU=65.6 LR=86.2 LRA=239



7/8/2026 ACPERF, record # 101881



CD0180



LOW VOLTAGE
(2D)



HIGH VOLTAGE
(1D)



NOTES:

1. INTERCHANGE ANY TWO LINE LEADS TO REVERSE ROTATION.
2. OPTIONAL THERMOSTATS ARE PROVIDED WHEN SPECIFIED.
3. ACTUAL NUMBER OF INTERNAL PARALLEL CIRCUITS MAY BE A MULTIPLE OF THOSE SHOWN ABOVE.
4. LEAD COLORS ARE OPTIONAL. LEADS MUST ALWAYS BE NUMBERED AS SHOWN.

CD0180

REV. DESC: ADD CLASS CONN00000007		
REV. LTR: D	VERSION: 01	TDR: 000001099922
FILE: \AAA\00005\148	REVISED: 10: 25: 29 02/19/2019	BY: ENBRIRO
MTL: -	© □	

BALDOR - RELIANCE®

3PH, DV, 9 LEADS, DELTA CONNECTION

SH 1 of 1