

ABB BALDOR RELIANCE III

Customer information packet

CSPM4107TS

25HP, 3545RPM, 3PH, 60HZ, 284TSC, 1048M, TEFC

Class - CLI GP A,B,C,D CLII GP F,G

Division - Division II

Specifications

Enclosure	TEFC
Frame	284TSC
Frame Material	Cast Iron
Frequency	60.00 Hz
Haz Area Class and Group	CLI GP A,B,C,D CLII GP F,G
Haz Area Division	Division II
Motor Letter Type	Three Phase
Output @ Frequency	25.000 HP @ 60 HZ
Phase	3
Synchronous Speed @ Frequency	3600 RPM @ 60 HZ
Voltage @ Frequency	460.0 V @ 60 HZ 230.0 V @ 60 HZ
Agency Approvals	CSA CURUSEEV NEMA_PREMIUM WEEE
Ambient Temperature	40 °C
Auxiliary Box	NO AUXILLARY BOX
Auxiliary Box Lead Termination	None
Base Indicator	Rigid
Bearing Grease Type	Polyrex EM (-20F +300F)
Blower	None
Current @ Voltage	28.000 A @ 460.0 V 56.000 A @ 230.0 V
Design Code	A
Drip Cover	No Drip Cover
Duty Rating	CONT
Efficiency @ 100% Load	93.0 %
Electrically Isolated Bearing	Not Electrically Isolated
Feedback Device	NO FEEDBACK
Front Shaft Indicator	None
Haz Area Temp Code	T3A

Part Detail

Revision	D
Type	AC
Mech. spec.	10T014
Base	
Status	PRD/A
Elec. spec.	10WZ894
Layout	10LYT014
Eff. date	04-17-2026
CD Diagram	CD0180
Poles	02
Leads	9#10
Proprietary	False
Created date	10-10-2024

Heater Indicator	No Heater
High Voltage Full Load Amps	28.0 a
Insulation Class	F
Inverter Code	Inverter Duty
KVA Code	J
Lifting Lugs	Standard Lifting Lugs
Locked Bearing Indicator	Locked Bearing
Max Speed	4500 rpm
Motor Lead Quantity/Wire Size	9 @ 10 AWG
Motor Lead Termination	Flying Leads
Motor Standards	NEMA
Motor Type	1048M
Mounting Arrangement	F1
Number of Poles	2
Overall Length	26.75 IN
Power Factor	88
Product Family	Chemical Processing (Not DC)
Pulley End Bearing Type	Ball
Pulley Face Code	C-Face
Pulley Shaft Indicator	Standard
Rodent Screen	None
Service Factor	1.15
Shaft Diameter	1.875 IN
Shaft Ground Indicator	No Shaft Grounding
Shaft Rotation	Reversible
Shaft Slinger Indicator	No Slinger
Speed	3545 rpm
Speed Code	Single Speed
Starting Method	Direct on line
Thermal Device - Bearing	None
Thermal Device - Winding	None
Vibration Sensor Indicator	No Vibration Sensor
Winding Thermal 1	None
Winding Thermal 2	None

Nameplate

NP4439B05C23L

CAT #	CSPM4107TS	SER #		CC	010A	WGT	396	LBS		
SPEC	10T014Z894	FRAME	284TSC	ENCL	TEFC	IP	55			
RATING	40C AMB-CONT			NEMA NOM. EFF	93					
HP	25	VOLTS	230/460							
AMPS	56/28		RPM	3545	HZ	60				
PH	3	CL	F	CODE	J	DES	A	PF	88 %	
		SER.F.	1.15		SF AMP	64/32				
DE BRG	6312	ODE BRG	6311	LUBE	POLYREX EM					
INV TYPE:	VPWM	SL HZ	1	CHP	60	TO	75	1.3:1		
WK2	2.07	LBFT2	MAX RPM	4500	CT	6	TO	60	10:1	
MAG CUR	19/9.5		VT	3	TO	60	20:1			
				MEETS INTENT OF IEEE-45			FOR WEATHER PROTECTION			
CL I DIV 2 GRPS A,B,C,D				TEMP CODE	T3C	CL I INV TEMP CODE	T3A	TEMP=	180	C
CL I ZONE 2 GRPS				IIA,IIB,IIC	TEMP =	180	C	CL II INV TEMP CODE	T3B	TEMP =
CL II DIV 2 GRPS F&G				TEMP CODE	T3B	1.0 SF ON PWM INVERTER		POWER		
CL II ZONE 22 GRPS IIIB				TEMP=	165	C				

YR

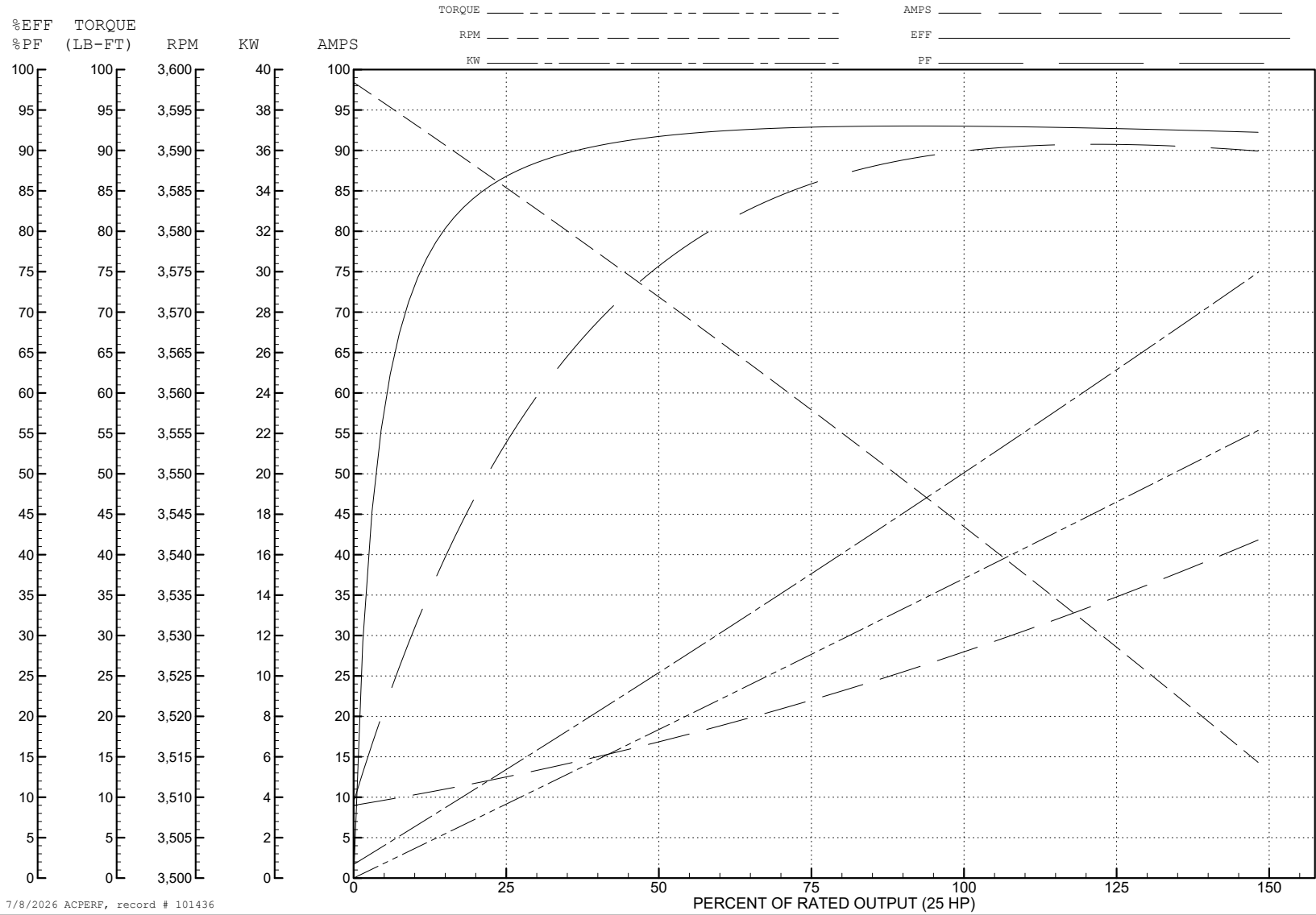
ABB Motors and Mechanical Inc.

WINDING # 10WGZ894

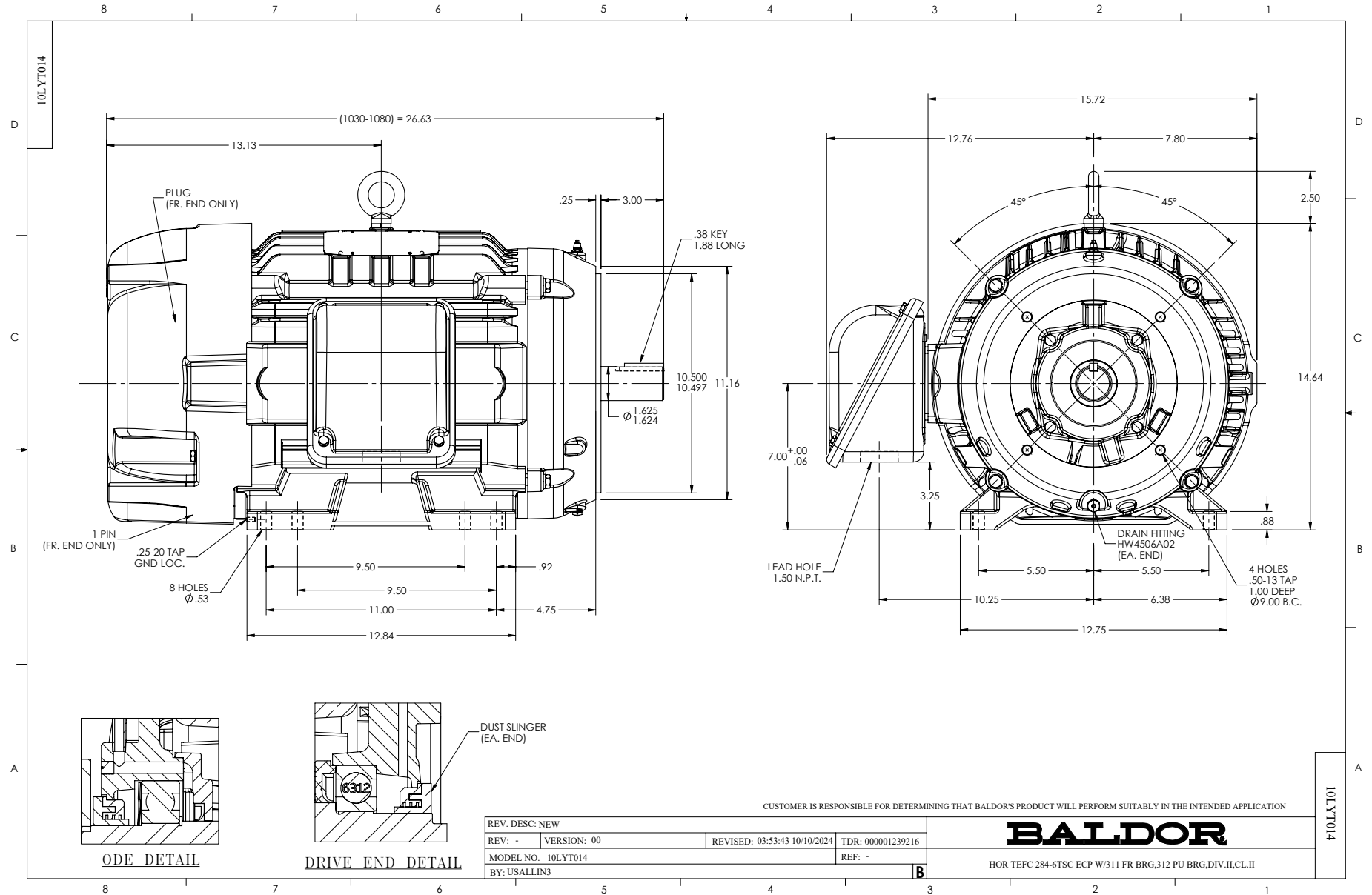
Typical performance - not guaranteed values.

25 HP 3 PH 60 HZ 3545 RPM 460 V 1048M

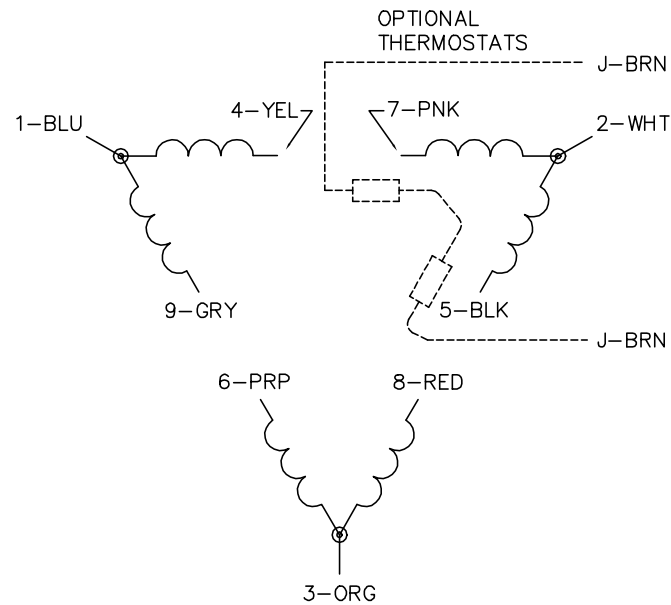
TORQUES (LB-FT): PO=178 PU=69.5 LR=88.2 LRA=244



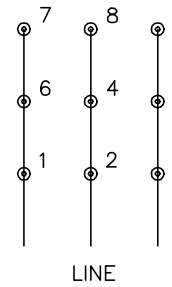
7/8/2026 ACPERF, record # 101436



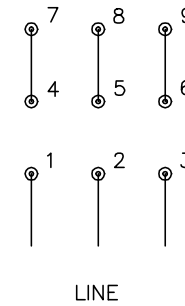
CD0180



LOW VOLTAGE
(2D)



HIGH VOLTAGE
(1D)



NOTES:

1. INTERCHANGE ANY TWO LINE LEADS TO REVERSE ROTATION.
2. OPTIONAL THERMOSTATS ARE PROVIDED WHEN SPECIFIED.
3. ACTUAL NUMBER OF INTERNAL PARALLEL CIRCUITS MAY BE A MULTIPLE OF THOSE SHOWN ABOVE.
4. LEAD COLORS ARE OPTIONAL. LEADS MUST ALWAYS BE NUMBERED AS SHOWN.

CD0180

REV. DESC: ADD CLASS CONN00000007		
REV. LTR: D	VERSION: 01	TDR: 000001099922
FILE: \AAA\00005\148	REVISED: 10: 25: 29 02/19/2019	BY: ENBRIRO
MTL: -	© □	

BALDOR - RELIANCE®

3PH, DV, 9 LEADS, DELTA CONNECTION

SH 1 of 1