



Customer information packet

CPX441246T

125//100HP, 1785//1485RPM, 3PH, 60//50HZ, 44

Class - CLI GP C,D; CLII GP E,F,G

Division - Division I

Specifications

Enclosure	TEFC
Frame	444T
Frame Material	Iron
Frequency	60.00 Hz
Motor Letter Type	Three Phase
Output @ Frequency	125.000 HP @ 60 HZ
Phase	3
Synchronous Speed @ Frequency	1800 RPM @ 60 HZ
Voltage @ Frequency	460.0 V @ 60 HZ
XP Class and Group	CLI GP C,D; CLII GP E,F,G
XP Division	Division I
Agency Approvals	CCSA US CSA CSA EEV UL
Ambient Temperature	40 °C
Auxillary Box	No Auxillary Box
Base Indicator	Rigid
Bearing Grease Type	Polyrex EM (-20F +300F)
Constant Torque Speed Range	6-60
Current @ Voltage	144.000 A @ 460.0 V
Design Code	B
Drip Cover	No Drip Cover
Duty Rating	CONT
Efficiency @ 100% Load	95.4 %
Enclosure Modification	Severe Duty Features
Feedback Device	NO FEEDBACK
Heater Indicator	No Heater
High Voltage Full Load Amps	144.0 a
Insulation Class	F
Inverter Code	Inverter Ready
IP Rating	IP55

Part detail

Revision	D
Type	AC
Mech. spec.	
Base	
Status	PRD/A
Elec. spec.	A44WG3870
Layout	617426-350
Eff. date	05-14-2019
CD Diagram	416820-036
Poles	04
Leads	3#1/0
Proprietary	False
Created date	02-13-2019

KVA Code	G
Max Speed	3600 rpm
Motor Lead Quantity/Wire Size	3 @ 1/0 AWG
Motor Standards	NEMA
Motor Type	A44076M
Mounting Arrangement	F1
Number of Poles	4
Overall Length	44.97 IN
Power Factor	85
Product Family	General Industrial
Pulley End Bearing Type	Ball
Pulley Face Code	Standard
Service Factor	1.15
Shaft Diameter	3.375 IN
Shaft Ground Indicator	No Shaft Grounding
Shaft Rotation	Reversible
Shaft Slinger Indicator	Shaft Slinger
Speed	1785 rpm
Speed Code	Single Speed
Starting Method	Direct on line
Thermal Device - Bearing	None
Thermal Device - Winding	Normally Closed Thermostat
XP Temp Code	T3C

Nameplate

NP2496L	
MOBIL POLYREX EM	

000613006PC

CLASS I GROUP C D X **NO.****CLASS II GROUP** E F G**OPERATING TEMP CODE** T3C

000901002AAA

SUIT @ 55C AMB AT 1.00 SF AT S	INEWAVE

NP3140L

SPEC NO.	A44-9272-3870			CAT.NO.	CPX441246T			FRAME	444T
HP	125	VOLTS	460	PHASE	3	DESIGN	B	TYPE	P
RPM	1785	AMPS	144	HZ	60	AMB	40	SF	1.00
DRIVE END BEARING	90BC03J30X		DUTY	CONT	INSUL.CLASS		F		
OPP D.E. BEARING	90BC03J30X		ENCL	TEFC	CODE	G			
SF	1.15	WK2	48.6	MAG CUR	44.8	RPM MAX	3600		
CT HZ	6-60	VT HZ	0-60	CHP HZ	60-90	NEMA-NOM-EFF	95.4		
	IP66								
SER.NO.				MOTOR WEIGHT					

617426-350

DUTY MASTER ALTERNATING CURRENT MOTORS
SQUIRREL-CAGE INDUCTION

ENCLOSURE: UL LISTED MOTOR

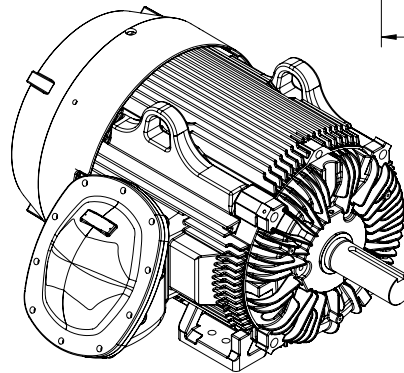
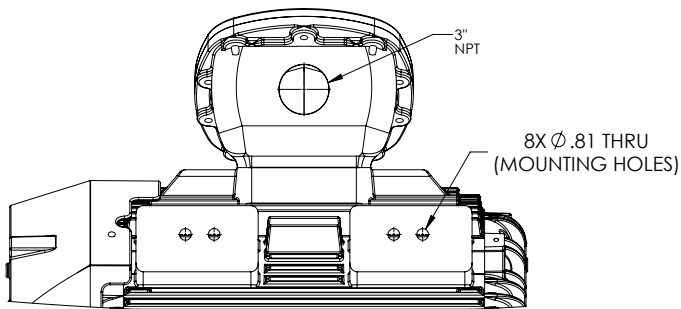
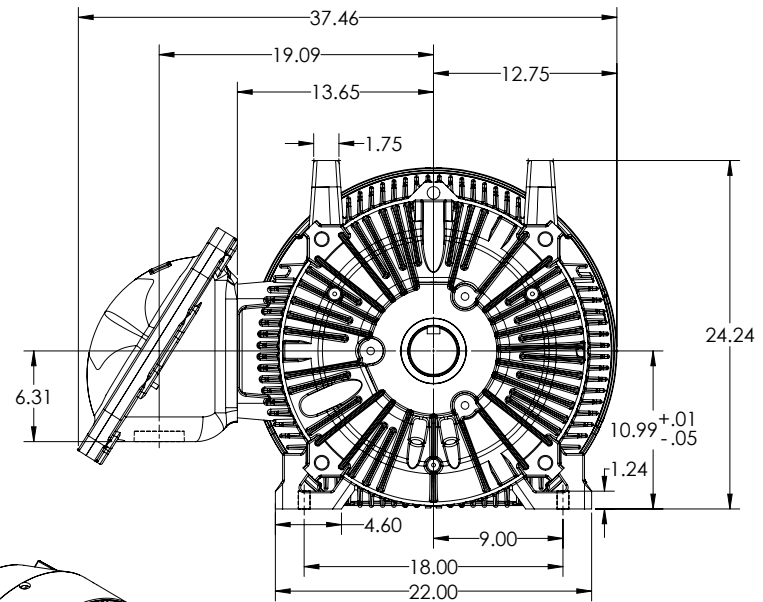
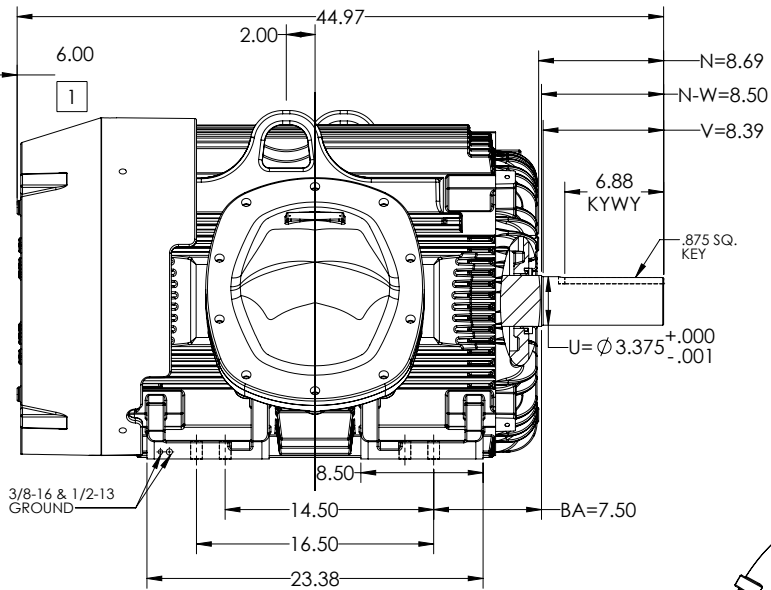
G444T/G445T FRAME MOUNTING HOLES

ENCLOSURE ENHANCEMENT: SEVERE DUTY

MOUNTING: F-1 FOOT

CLASS 1: GR. C&D, CLASS 2: GR. E,F,&G

COOLING: FAN COOLED



DIMENSIONS ARE IN INCHES.
WEIGHT (LBS): 2150. WEIGHTS MAY VARY BY 15% DEPENDING ON RATING.
CUSTOMER IS RESPONSIBLE FOR DETERMINING THAT MOTOR PERFORMANCE IS SUITABLE IN THE APPLICATION.

SHEET NUMBER
1 OF 1

1 OBSTRUCTION MUST NO ENCROACH ON AIR INLET MOTOR.

IF MOUNTING CLEARANCE DETAILS ARE REQUIRED, CONSULT FACTORY.
MAX PERMISSIBLE SHAFT RUNOUT WHEN MEASURED AT END OF STANDARD SHAFT EXTENSION IS .003\"/>

REV. DESC: NEW	VERSION: 00	REVISED: 02-20-28 02/12/2019	TDR: 000001098250
MODEL NO. 617426-350	BY: RAGSS1	Material:	REF:

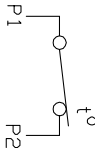
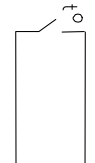
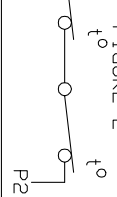
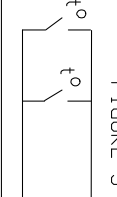
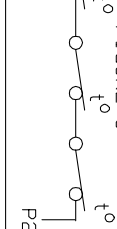
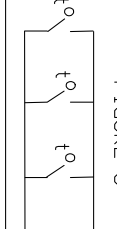
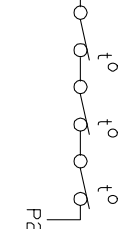
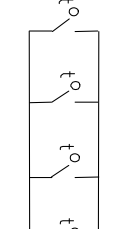
BALDOR

G44544T TEFC XP F1 FT-CL-CB - CL.1 GR.C&D CL.2 GR.E,F&G

617426-350

CONNECTION DIAGRAM ACCESSORIES

MOTOR WINDING THERMOSTATS	
CONTACTS _____ @ _____ °C	
FIGURE NUMBER _____	
CONTACT RATING	
VOLTS	CONTINUOUS AMPERES
110-120	3.0
220-240	1.5
440-480	0.75
550-600	0.60
	INRUSH AMPERES
	30
	15
	7.5
	6.0

NORMALLY CLOSED	THERMOSTATS	NORMALLY OPEN
 <p>FIGURE 1</p>		 <p>FIGURE 4</p>
 <p>FIGURE 2</p>		 <p>FIGURE 5</p>
 <p>FIGURE 3</p>		 <p>FIGURE 6</p>
 <p>FIGURE 7</p>		 <p>FIGURE 8</p>

CUSTOMER _____ CUSTOMER ORDER NO. _____ S.O. NO. _____

418174-006

418174-006

REV. DESC: LOADED TO BUS		
REV. LTR: A	VERSION: 01	TDR: 000000570390
FILE: \RAG\00013\849	REVISED: 10:16:21 12/07/2010	BY: RAGDRF
MTL: -		

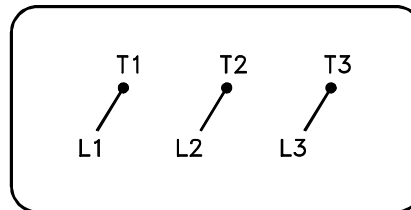
BALDOR

A-C MOTOR CONNECTION ACCESSORIES

SH 1 of 1

416820-036

A-C MOTOR
CONNECTION DIAGRAM
STANDARD 3 LEAD CONNECTED



(N.P. 1575-BA)

REV. DESC: LOADED TO BUS, C/R 335225		
REV. LTR: -	VERSION: 00	TDR: 000000538207
FILE: \MGA\00000\682	REVISED: 11: 54: 06 04/30/2010	
MTL: -	BY: RAGRA	

BALDOR

CONN DIAG - STANDARD 3 LEAD
SH 1 of 1

416820-036