

BALDOR • RELIANCE

Customer information packet

CPX40766T

75//60HP, 1185//985RPM, 3PH, 60//50HZ, 405T,
Class - CLI GP C,D; CLII GP E,F,G
Division - Division I

Specifications

Enclosure	TEFC
Frame	405T
Frame Material	Iron
Frequency	60.00 Hz
Haz Area Class and Group	CLI GP C,D; CLII GP E,F,G
Haz Area Division	Division I
Motor Letter Type	Three Phase
Output @ Frequency	75.000 HP @ 60 HZ
Phase	3
Synchronous Speed @ Frequency	1200 RPM @ 60 HZ
Voltage @ Frequency	230.0 V @ 60 HZ 460.0 V @ 60 HZ
Agency Approvals	CCSAUSEEV CSA UL
Ambient Temperature	40 °C
Auxillary Box	No Auxillary Box
Base Indicator	Rigid
Bearing Grease Type	Polyrex EM (-20F +300F)
Constant Torque Speed Range	6-60
Current @ Voltage	84.200 A @ 460.0 V 168.000 A @ 230.0 V
Design Code	B
Drip Cover	No Drip Cover
Duty Rating	CONT
Efficiency @ 100% Load	94.5 %
Enclosure Modification	Severe Duty Features
Feedback Device	NO FEEDBACK
Haz Area Temp Code	T3C
Heater Indicator	No Heater
High Voltage Full Load Amps	84.2 a
Insulation Class	F

Part detail

Revision	D
Type	AC
Mech. spec.	
Base	
Status	PRD/A
Elec. spec.	A40WG1215
Layout	617433-605
Eff. date	05-06-2024
CD Diagram	416820-002
Poles	06
Leads	3#4,6#6
Proprietary	False
Created date	02-11-2019

Inverter Code	Inverter Ready
IP Rating	IP55
KVA Code	F
Max Speed	3000 rpm
Motor Lead Quantity/Wire Size	3 @ 4 AWG
Motor Standards	NEMA
Motor Type	A40072M
Mounting Arrangement	F1
Number of Poles	6
Overall Length	38.22 IN
Power Factor	88
Product Family	General Industrial
Pulley End Bearing Type	Ball
Pulley Face Code	Standard
Service Factor	1.15
Shaft Diameter	2.875 IN
Shaft Ground Indicator	No Shaft Grounding
Shaft Rotation	Reversible
Shaft Slinger Indicator	Shaft Slinger
Speed	1185 rpm
Speed Code	Single Speed
Starting Method	Direct on line
Thermal Device - Bearing	None
Thermal Device - Winding	Normally Closed Thermostat

Nameplate

NP2496L	
MOBIL POLYREX EM	

000613006PC

CLASS I GROUP C D X **NO.****CLASS II GROUP** E F G**OPERATING TEMP CODE** T3C

000901002AAA

SUIT @ 55C AMB AT 1.00 SF AT S	INEWAVE

NP3140L

SPEC NO.	A40-0964-1215	CAT.NO.	CPX40766T	FRAME	405T
HP	75	VOLTS	230/460	PHASE	3
				DESIGN	B
				TYPE	P
RPM	1185	AMPS	168/84.2	HZ	60
				AMB	40
				SF	1.00
DRIVE END BEARING	80BC03J30X	DUTY	CONT	INSUL.CLASS	F
OPP D.E. BEARING	80BC03J30X	ENCL	TEFC	CODE	F
SF	1.15	WK2	39.6	MAG CUR	20.7
				RPM MAX	3000
CT HZ	6-60	VT HZ	0-60	CHP HZ	60-90
				NEMA-NOM-EFF	94.5
	IP66				
SER.NO.		MOTOR WEIGHT			

617433-605

DUTY MASTER ALTERNATING CURRENT MOTORS

SQUIRREL-CAGE INDUCTION

FRAME G405T

ENCLOSURE: X/P, UNDERWRITERS LISTED

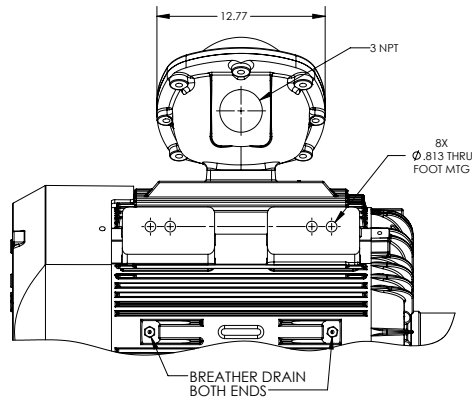
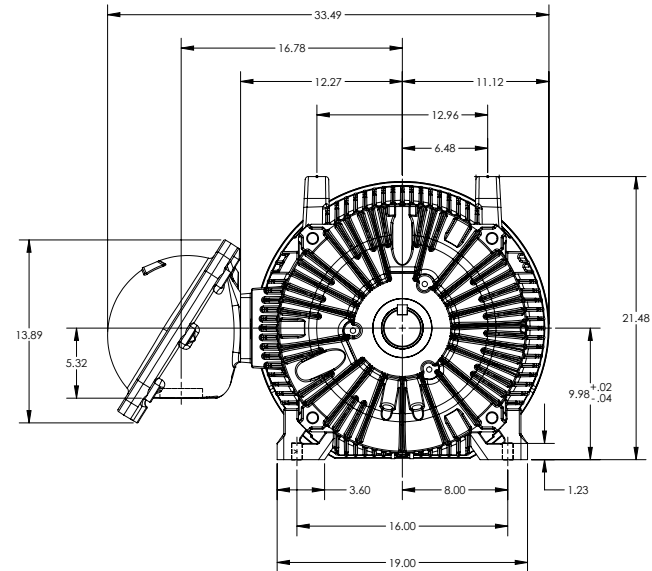
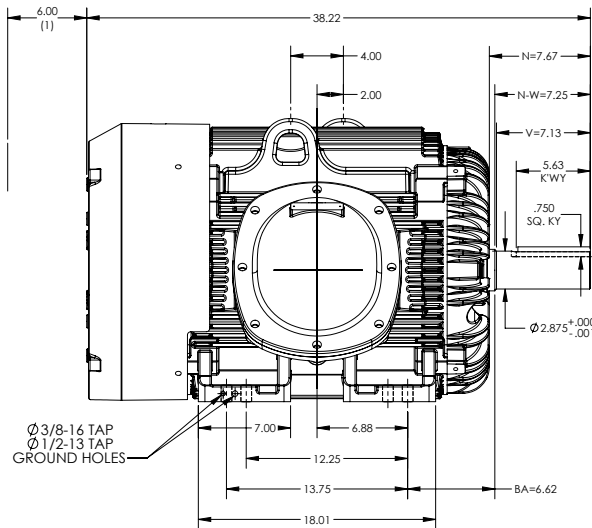
INCLUDES 404T FRAME MOUNTING HOLES
STD CAST IRON C/BOX

COOLING: FAN COOLED

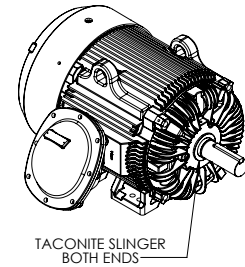
MOUNTING: FOOT, F-1

CL1-GROUP C&D - CL2-GROUP E,F & G

ENCLOSURE ENHANCEMENT: SEVERE DUTY



(1) OBSTRUCTION MUST NOT ENCR OACH AIR INLET
IF MOUNTING CLEARANCE DETAILS ARE REQUIRED, CONSULT FACTORY.
MAXIMUM PERMISSIBLE SHAFT RUNOUT WHEN MEASURED AT END OF STANDARD SHAFT EXTENSION IS .003 MAX. T.I.R.
WEIGHT: 1400 LBS ±15% DEPENDING ON RATING.



DIMENSIONS ARE IN INCHES.
CUSTOMER IS RESPONSIBLE FOR DETERMINING THAT MOTOR PERFORMANCE IS SUITABLE IN THE APPLICATION.

SHEET NUMBER
1 OF 1
S09-EEZL19

REV. DESC: NEW	VERSION: 00	REVISED: 02-31-08 02-07-2019	TDR: 00001098248
MODEL NO. 617433-605	REF: -		
BY: RAGSS1	Material: -		

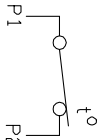
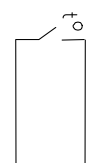
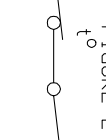
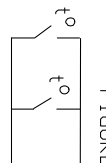
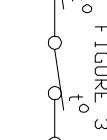
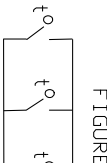
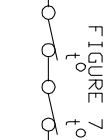
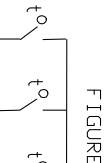
BALDOR

G405T-404T XP F1 FT-CL1 GRP C&D - CL2 GRP E,F&G

617433-605

CONNECTION DIAGRAM ACCESSORIES

MOTOR WINDING THERMOSTATS	
CONTACTS _____ @ _____ °C	
FIGURE NUMBER _____	
CONTACT RATING	
VOLTS	CONTINUOUS AMPERES
110-120	3.0
220-240	1.5
440-480	0.75
550-600	0.60
	INRUSH AMPERES
	30
	15
	7.5
	6.0

NORMALLY CLOSED	THERMOSTATS	NORMALLY OPEN
 <p>FIGURE 1</p>		 <p>FIGURE 4</p>
 <p>FIGURE 2</p>		 <p>FIGURE 5</p>
 <p>FIGURE 3</p>		 <p>FIGURE 6</p>
 <p>FIGURE 7</p>		 <p>FIGURE 8</p>

CUSTOMER _____ CUSTOMER ORDER NO. _____ S.O. NO. _____

418174-006

418174-006

REV. DESC: LOADED TO BUS		
REV. LTR: A	VERSION: 01	TDR: 000000570390
FILE: \RAG\00013\849	REVISED: 10:16:21 12/07/2010	BY: RAGDRF
MTL: -		

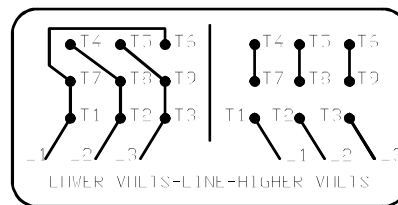
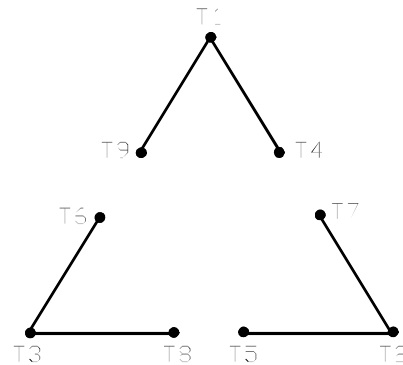
BALDOR

A-C MOTOR CONNECTION ACCESSORIES

SH 1 of 1

416820-002

A-C MOTOR
 CONNECTION DIAGRAM
 STANDARD 9 LEAD DELTA-CONNECTED



(N.P. 1575-B)

416820-002

REV. DESC: FONT CHANGE FOR PDF SEARCHABLE		
REV. LTR: A	VERSION: 01	TDR: 000001009382
FILE: \MGA\00000\661	REVISED: 02:46:19 02/13/2020	BY: MGHMTT
MTL: -	© □	

BALDOR - RELIANCE®

CONN DIAG - STANDARD 9 LEAD, DELTA-CONNECTED

SH 1 of 1