



Customer information packet

CPX40146T

100//75HP, 1780//1485RPM, 3PH, 60//50HZ, 405

Class - CLI GP C,D; CLII GP E,F,G

Division - Division I

Specifications

Enclosure	TEFC
Frame	405T
Frame Material	Iron
Frequency	60.00 Hz
Motor Letter Type	Three Phase
Output @ Frequency	100.000 HP @ 60 HZ
Phase	3
Synchronous Speed @ Frequency	1800 RPM @ 60 HZ
Voltage @ Frequency	230.0 V @ 60 HZ 460.0 V @ 60 HZ
XP Class and Group	CLI GP C,D; CLII GP E,F,G
XP Division	Division I
Agency Approvals	CCSAUSEEV CSA UL
Ambient Temperature	40 °C
Auxillary Box	No Auxillary Box
Base Indicator	Rigid
Bearing Grease Type	Polyrex EM (-20F +300F)
Constant Torque Speed Range	6-60
Current @ Voltage	224.000 A @ 230.0 V 112.000 A @ 460.0 V
Design Code	B
Drip Cover	No Drip Cover
Duty Rating	CONT
Efficiency @ 100% Load	95.4 %
Enclosure Modification	Severe Duty Features
Feedback Device	NO FEEDBACK
Heater Indicator	No Heater
High Voltage Full Load Amps	112.0 a
Insulation Class	F
Inverter Code	Inverter Ready

Part detail

Revision	D
Type	AC
Mech. spec.	
Base	
Status	PRD/A
Elec. spec.	A40WGO692
Layout	617433-605
Eff. date	05-19-2021
CD Diagram	416820-002
Poles	04
Leads	3#2,6#4
Proprietary	False
Created date	02-12-2019

IP Rating	IP55
KVA Code	G
Max Speed	3600 rpm
Motor Lead Quantity/Wire Size	3 @ 2 AWG
Motor Standards	NEMA
Motor Type	A40064M
Mounting Arrangement	F1
Number of Poles	4
Overall Length	38.22 IN
Power Factor	87
Product Family	General Industrial
Pulley End Bearing Type	Ball
Pulley Face Code	Standard
Service Factor	1.15
Shaft Diameter	2.875 IN
Shaft Ground Indicator	No Shaft Grounding
Shaft Rotation	Reversible
Shaft Slinger Indicator	Shaft Slinger
Speed	1785 rpm
Speed Code	Single Speed
Starting Method	Direct on line
Thermal Device - Bearing	None
Thermal Device - Winding	Normally Closed Thermostat
XP Temp Code	T3C

Nameplate

NP2496L	
MOBIL POLYREX EM	

000613006PC

CLASS I GROUP C D X **NO.****CLASS II GROUP** E F G**OPERATING TEMP CODE** T3C

000901002AAA

SUIT @ 55C AMB AT 1.00 SF AT S	INEWAVE

NP3140L

SPEC NO.	A40-7253-0692			CAT.NO.	CPX40146T			FRAME	405T
HP	100	VOLTS	230/460	PHASE	3	DESIGN	B	TYPE	P
RPM	1785	AMPS	224/112	HZ	60	AMB	40	SF	1.00
DRIVE END BEARING	80BC03J30X		DUTY	CONT	INSUL.CLASS		F		
OPP D.E. BEARING	80BC03J30X		ENCL	TEFC	CODE	G			
SF	1.15	WK2	26.3	MAG CUR	28.6	RPM MAX	3600		
CT HZ	6-60	VT HZ	0-60	CHP HZ	60-90	NEMA-NOM-EFF	95.4		
	IP66								
SER.NO.				MOTOR WEIGHT					

DUTY MASTER ALTERNATING CURRENT MOTORS

617433-605

SQUIRREL-CAGE INDUCTION

FRAME G405T

ENCLOSURE: X/P, UNDERWRITERS LISTED

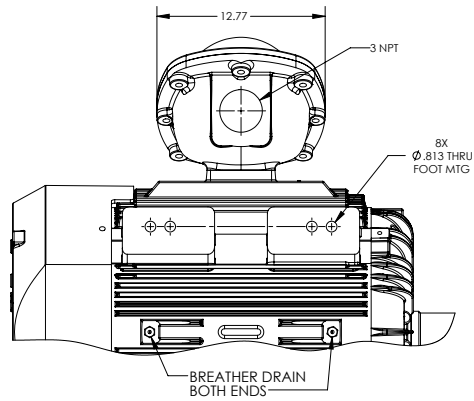
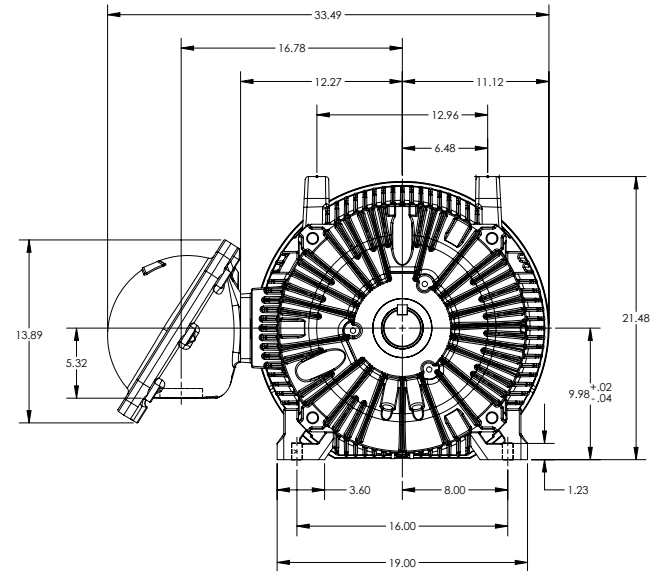
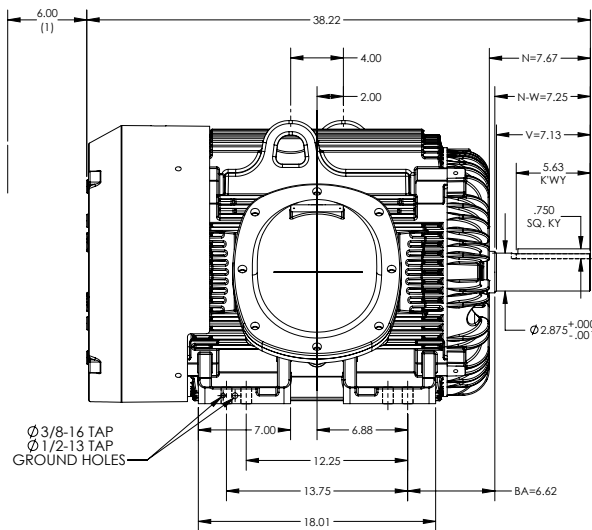
INCLUDES 404T FRAME MOUNTING HOLES
STD CAST IRON C/BOX

COOLING: FAN COOLED

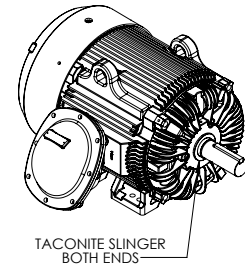
MOUNTING: FOOT, F-1

CL1-GROUP C&D - CL2-GROUP E,F & G

ENCLOSURE ENHANCEMENT: SEVERE DUTY



(1) OBSTRUCTION MUST NOT ENCR OACH AIR INLET
IF MOUNTING CLEARANCE DETAILS ARE REQUIRED, CONSULT FACTORY.
MAXIMUM PERMISSIBLE SHAFT RUNOUT WHEN MEASURED AT END OF
STANDARD SHAFT EXTENSION IS .003 MAX. T.I.R.
WEIGHT: 1400 LBS ±15% DEPENDING ON RATING.



DIMENSIONS ARE IN INCHES.

CUSTOMER IS RESPONSIBLE FOR DETERMINING THAT MOTOR PERFORMANCE IS SUITABLE IN THE APPLICATION.

REV. DESC: NEW	VERSION: 00	REVISED: 02-31-08 02-07-2019	TDR: 000001098248
MODEL NO. 617433-605	REF: -		
BY: RAGSS1	Material: -		

BALDOR

G405T-404T XP F1 FT-CL1 GRP C&D - CL2 GRP E,F&G

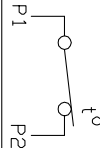
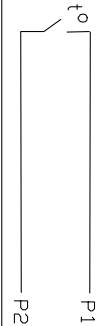
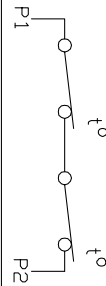
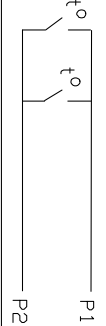
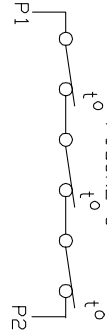
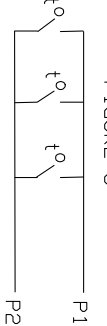
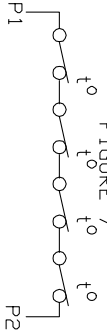
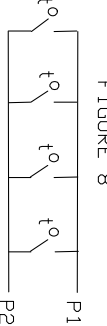
SHEET NUMBER
1 OF 1

S09-EEZL19

617433-605

CONNECTION DIAGRAM ACCESSORIES

MOTOR WINDING THERMOSTATS	
CONTACTS _____ @ _____ °C	
FIGURE NUMBER _____	
CONTACT RATING	
VOLTS	CONTINUOUS AMPERES
110-120	3.0
220-240	1.5
440-480	0.75
550-600	0.60
	INRUSH AMPERES
	30
	15
	7.5
	6.0

NORMALLY CLOSED	THERMOSTATS	NORMALLY OPEN
 <p>FIGURE 1</p>		 <p>FIGURE 4</p>
 <p>FIGURE 2</p>		 <p>FIGURE 5</p>
 <p>FIGURE 3</p>		 <p>FIGURE 6</p>
 <p>FIGURE 7</p>		 <p>FIGURE 8</p>

CUSTOMER _____ CUSTOMER ORDER NO. _____ S.O. NO. _____

418174-006

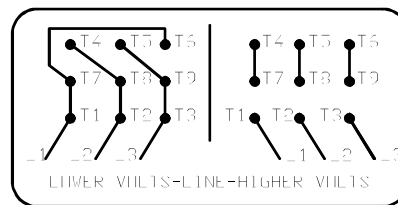
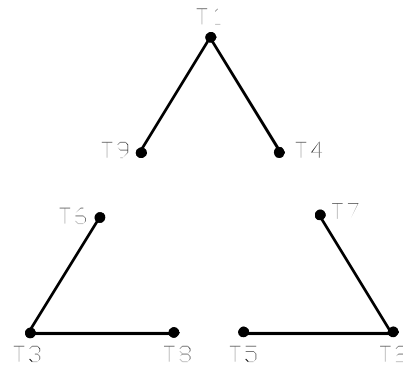
418174-006

REV. DESC: LOADED TO BUS		
REV. LTR: A	VERSION: 01	TDR: 000000570390
FILE: \RAG\00013\849	REVISED: 10:16:21 12/07/2010	BY: RAGDRF
MTL: -		

BALDOR
A-C MOTOR CONNECTION ACCESSORIES
SH 1 of 1

416820-002

A-C MOTOR
 CONNECTION DIAGRAM
 STANDARD 9 LEAD DELTA-CONNECTED



(N.P. 1575-B)

416820-002

REV. DESC: FONT CHANGE FOR PDF SEARCHABLE		
REV. LTR: A	VERSION: 01	TDR: 000001009382
FILE: \MGA\00000\661	REVISED: 02:46:19 02/13/2020	BY: MGHMTT
MTL: -		© □

BALDOR - RELIANCE®

CONN DIAG - STANDARD 9 LEAD, DELTA-CONNECTED

SH 1 of 1