



---

# Customer information packet

## CPX28326T

46M 2P XPFC HOR 286TSY TSTAT CP FEAT INV

Class - CLI GP C,D; CLII GP E,F,G

Division - Division I

## Specifications

Enclosure	XPFC
Frame	286TSY
Frame Material	Iron
Frequency	50.00 Hz 60.00 Hz
Haz Area Class and Group	CLI GP C,D; CLII GP E,F,G
Haz Area Division	Division I
Motor Letter Type	Three Phase
Output @ Frequency	25.000 HP @ 50 HZ 30.000 HP @ 60 HZ
Phase	3
Synchronous Speed @ Frequency	3600 RPM @ 60 HZ
Voltage @ Frequency	230.0 V @ 60 HZ 190.0 V @ 50 HZ 460.0 V @ 60 HZ 380.0 V @ 50 HZ
Agency Approvals	CSA EEV UL
Ambient Temperature	40 °C
Auxillary Box	No Auxillary Box
Auxillary Box Lead Termination	None
Base Indicator	Rigid
Bearing Grease Type	Polyrex EM (-20F +300F)
Blower	None
Constant Torque Speed Range	6
Current @ Voltage	72.000 A @ 208.0 V 68.000 A @ 190.0 V 66.000 A @ 230.0 V 34.000 A @ 380.0 V 33.000 A @ 460.0 V
Design Code	B
Drip Cover	No Drip Cover

## Part detail

Revision	F
Type	AC
Mech. spec.	10K316
Base	
Status	PRD/A
Elec. spec.	10WGZ035
Layout	10LYK316
Eff. date	08-01-2023
CD Diagram	CD0180
Poles	02
Leads	9#10
Proprietary	False
Created date	04-25-2019

Duty Rating	CONT
Efficiency @ 100% Load	91.7 %
Electrically Isolated Bearing	Not Electrically Isolated
Enclosure Modification	Severe Duty Features
Feedback Device	NO FEEDBACK
Front Shaft Indicator	None
Haz Area Temp Code	T3C
Heater Indicator	No Heater
High Voltage Full Load Amps	33.0 a
Insulation Class	F
Inverter Code	Inverter Duty
IP Rating	IP55
KVA Code	G
Lifting Lugs	Standard Lifting Lugs
Locked Bearing Indicator	Locked Bearing
Max Speed	5400 rpm
Motor Lead Quantity/Wire Size	9 @ 10 AWG
Motor Lead Termination	Flying Leads
Motor Standards	NEMA
Motor Type	X1046M
Mounting Arrangement	F1
Number of Poles	2
Overall Length	27.24 IN
Power Factor	90
Product Family	Hazardous Location Motor
Pulley End Bearing Type	Ball
Pulley Face Code	Standard
Pulley Shaft Indicator	Standard
Rodent Screen	None
RoHS Status	ROHS NON-COMPLIANT
Service Factor	1.00
Shaft Diameter	1.625 IN
Shaft Ground Indicator	No Shaft Grounding
Shaft Rotation	Reversible

<b>Shaft Slinger Indicator</b>	Shaft Slinger
<b>Speed</b>	2920 rpm 3520 rpm
<b>Speed Code</b>	Single Speed
<b>Starting Method</b>	Direct on line
<b>Thermal Device - Bearing</b>	None
<b>Thermal Device - Winding</b>	Normally Closed Thermostat
<b>Vibration Sensor Indicator</b>	No Vibration Sensor
<b>Winding Thermal 1</b>	None
<b>Winding Thermal 2</b>	None

**Nameplate**

**NP2033XPSLEV**

<b>NO.</b>		<b>CC</b>	010A				
<b>S/N</b>		<b>TEMP CODE</b>	T3C				
<b>SPEC.</b>	10K316Z035G1	<b>INV.TYPE</b>	PWM				
<b>CAT.NO.</b>	CPX28326T	<b>C HP FR</b>	60	<b>C HP TO</b>	90		
<b>HP</b>	30//25	<b>CT HZ FROM</b>	6	<b>CT HZ TO</b>	60		
<b>VOLTS</b>	230/460//190/380	<b>VT HZ FROM</b>	6	<b>VT HZ TO</b>	60		
<b>AMPS</b>	66/33//68/34	<b>MAG CUR</b>	18/9				
<b>RPM</b>	3520//2920	<b>MX RPM</b>	5400				
<b>HZ</b>	60//50	<b>PH</b>	3	<b>CL</b>	F	<b>NOM.EFF.</b>	91.7
<b>SER.F.</b>	1.00	<b>DES</b>	B	<b>SL HZ</b>	1.3	<b>WK2</b>	1.98
<b>FRAME</b>	286TSY	<b>RATING</b>	40C AMB-CONT				
<b>BLANK</b>	55C AMB @ 1.00 SF, 60C RISE						
	1.15SF ON SINEWAVE		NEMA MG-1 PT.5,IP55				

**AC Induction Motor Performance Data**

Record # 75696

Typical performance - not guaranteed values

Winding: 10WGZ035-R005		Type: 1046M	Enclosure: XPFC			
<b>Nameplate Data</b>			<b>380 V, 50 Hz: High Voltage Connection</b>			
Rated Output (HP)	30//25		Full Load Torque	44.55 LB-FT		
Volts	230/460//190/380		Start Configuration	direct on line		
Full Load Amps	66/33//68/34		Breakdown Torque	164 LB-FT		
R.P.M.	3520//2920		Pull-up Torque	64.66 LB-FT		
Hz	60//50	Phase	3	Locked-rotor Torque	85.07 LB-FT	
NEMA Design Code	B		KVA Code	G	Starting Current	219 A
Service Factor (S.F.)	1				No-load Current	8.71 A
NEMA Nom. Eff.	91.7	Power Factor	90		Line-line Res. @ 25°C	0.239 Ω
Rating - Duty	40C AMB-CONT				Temp. Rise @ Rated Load	59°C
					Locked-rotor Power Factor	26.5
					Rotor inertia	1.97 LB-FT <sup>2</sup>

**Load Characteristics 380 V, 50 Hz, 25 HP**

% of Rated Load	25	50	75	100	125	150
Power Factor	64	83	89	91	92	91
Efficiency	90.9	93.3	93.5	92.5	91.9	90.6
Speed	2981	2963	2946	2927	2907	2883
Line amperes	11.87	18.29	25.38	33.31	42.09	51.47

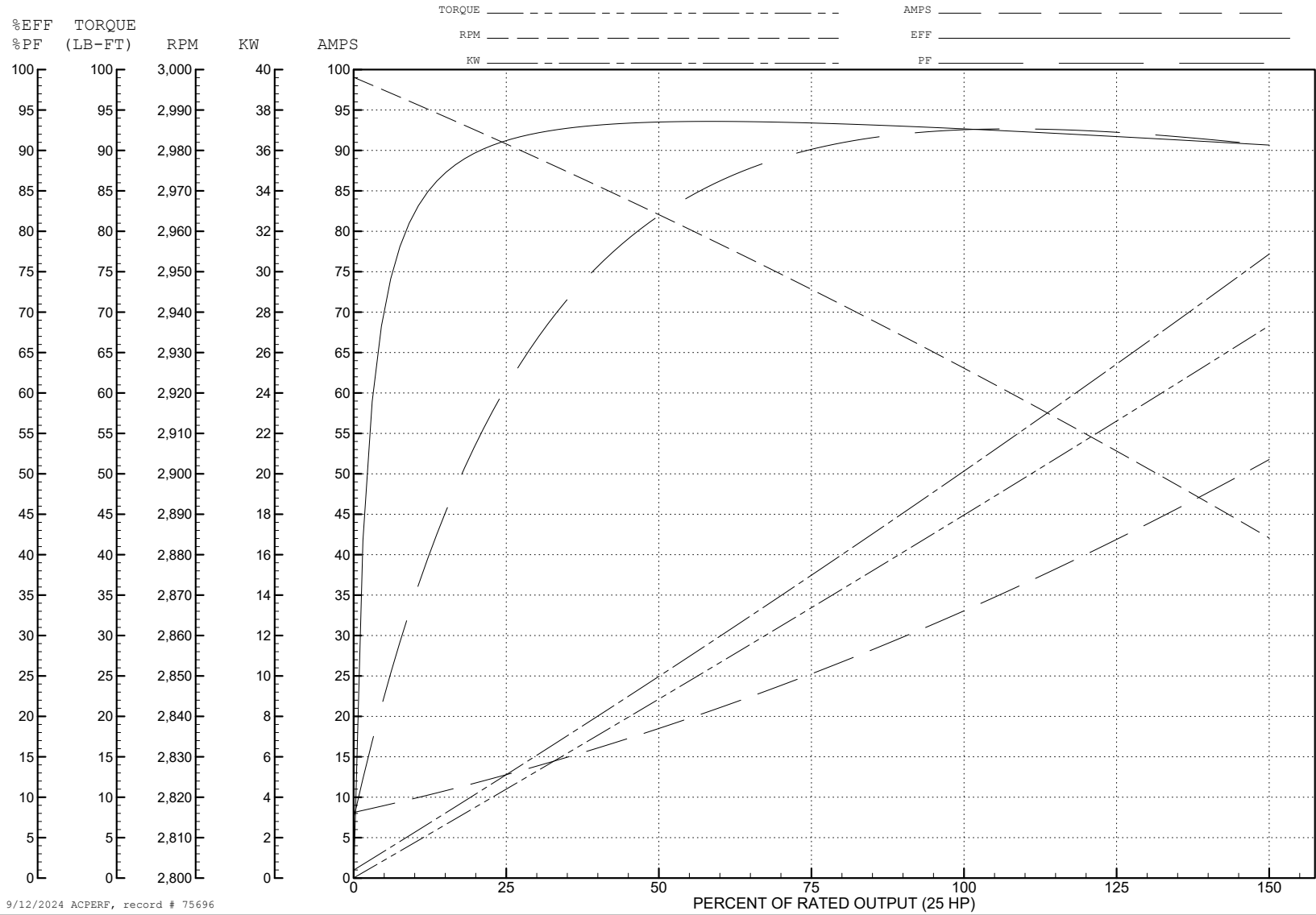
ABB Motors and Mechanical Inc.

WINDING # 10WGZ035

Typical performance - not guaranteed values.

25 HP 3 PH 50 HZ 2927 RPM 380 V 1046M

TORQUES (LB-FT): PO=164 PU=64.66 LR=85.07 LRA=219



9/12/2024 ACPERF, record # 75696

**AC Induction Motor Performance Data**

Record # 75697

Typical performance - not guaranteed values

<b>Winding:</b> 10WGZ035-R005		<b>Type:</b> 1046M		<b>Enclosure:</b> XPFC	
<b>Nameplate Data</b>			<b>460 V, 60 Hz: High Voltage Connection</b>		
<b>Rated Output (HP)</b>	30//25		<b>Full Load Torque</b>	44.4 LB-FT	
<b>Volts</b>	230/460//190/380		<b>Start Configuration</b>	direct on line	
<b>Full Load Amps</b>	66/33//68/34		<b>Breakdown Torque</b>	169 LB-FT	
<b>R.P.M.</b>	3520//2920		<b>Pull-up Torque</b>	60.8 LB-FT	
<b>Hz</b>	60//50	<b>Phase</b>	3	<b>Locked-rotor Torque</b>	80 LB-FT
<b>NEMA Design Code</b>	<b>B KVA Code</b>		G	<b>Starting Current</b>	223 A
<b>Service Factor (S.F.)</b>			1	<b>No-load Current</b>	8.85 A
<b>NEMA Nom. Eff.</b>	91.7	<b>Power Factor</b>	90	<b>Line-line Res. @ 25°C</b>	0.239 Ω
<b>Rating - Duty</b>	40C AMB-CONT			<b>Temp. Rise @ Rated Load</b>	58°C
				<b>Locked-rotor Power Factor</b>	23.5
				<b>Rotor inertia</b>	1.97 LB-FT <sup>2</sup>

**Load Characteristics 460 V, 60 Hz, 30 HP**

<b>% of Rated Load</b>	<b>25</b>	<b>50</b>	<b>75</b>	<b>100</b>	<b>125</b>	<b>150</b>
<b>Power Factor</b>	64	83	89	91	92	91
<b>Efficiency</b>	89.6	92.9	93.5	92.7	92.4	91.4
<b>Speed</b>	3580	3561	3544	3525	3504	3480
<b>Line amperes</b>	12	18.3	25.2	33	41.5	50.5



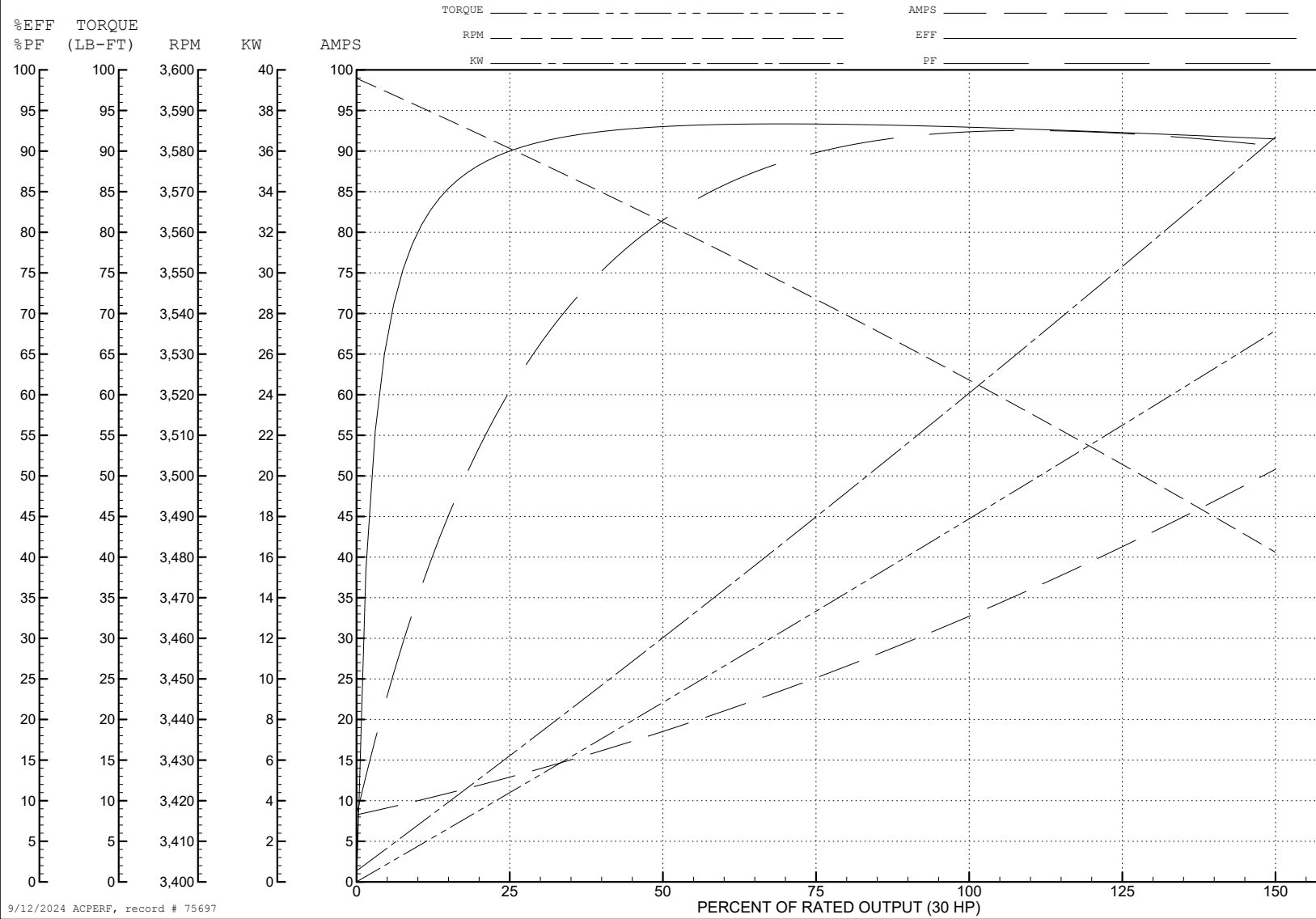
ABB Motors and Mechanical Inc.

WINDING # 10WGZ035

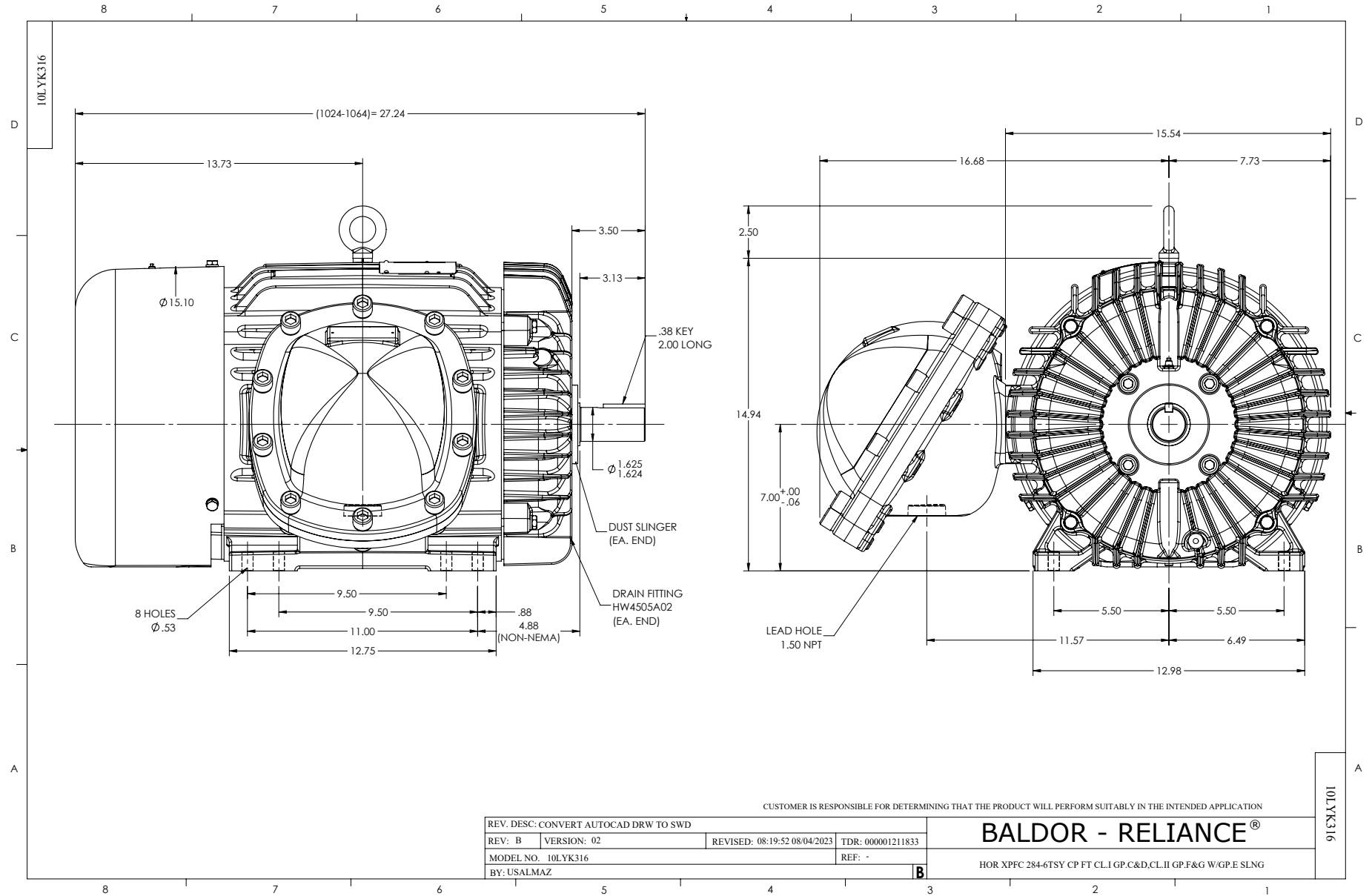
30 HP 3 PH 60 HZ 3525 RPM 460 V 1046M

Typical performance - not guaranteed values.

TORQUES (LB-FT): PO=169 PU=60.8 LR=80 LRA=223



9/12/2024 ACPERF, record # 75697



CD0180



LOW VOLTAGE  
(2D)



HIGH VOLTAGE  
(1D)



NOTES:

1. INTERCHANGE ANY TWO LINE LEADS TO REVERSE ROTATION.
2. OPTIONAL THERMOSTATS ARE PROVIDED WHEN SPECIFIED.
3. ACTUAL NUMBER OF INTERNAL PARALLEL CIRCUITS MAY BE A MULTIPLE OF THOSE SHOWN ABOVE.
4. LEAD COLORS ARE OPTIONAL. LEADS MUST ALWAYS BE NUMBERED AS SHOWN.

CD0180

REV. DESC: ADD CLASS CONN00000007		
REV. LTR: D	VERSION: 01	TDR: 000001099922
FILE: \AAA\00005\148	REVISED: 10: 25: 29 02/19/2019	BY: ENBRIRO
MTL: -	© □	

**BALDOR - RELIANCE®**

3PH, DV, 9 LEADS, DELTA CONNECTION

SH 1 of 1