



Customer information packet

CPX282526T

38M 2P XPFC HOR 284TSY TSTAT CP FEAT INV

Class - CLI GP C,D; CLII GP E,F,G

Division - Division I

Specifications

Enclosure	XPFC
Frame	284TSY
Frame Material	Iron
Frequency	50.00 Hz 60.00 Hz
Haz Area Class and Group	CLI GP C,D; CLII GP E,F,G
Haz Area Division	Division I
Motor Letter Type	Three Phase
Output @ Frequency	20.000 HP @ 50 HZ 25.000 HP @ 60 HZ
Phase	3
Synchronous Speed @ Frequency	3600 RPM @ 60 HZ
Voltage @ Frequency	230.0 V @ 60 HZ 190.0 V @ 50 HZ 460.0 V @ 60 HZ 380.0 V @ 50 HZ
Agency Approvals	CSA EEV UL
Ambient Temperature	40 °C
Auxillary Box	No Auxillary Box
Auxillary Box Lead Termination	None
Base Indicator	Rigid
Bearing Grease Type	Polyrex EM (-20F +300F)
Blower	None
Constant Torque Speed Range	6
Current @ Voltage	63.000 A @ 208.0 V 57.000 A @ 230.0 V 56.000 A @ 190.0 V 28.500 A @ 460.0 V 28.000 A @ 380.0 V
Design Code	B
Drip Cover	No Drip Cover

Part detail

Revision	G
Type	AC
Mech. spec.	10K316
Base	
Status	PRD/A
Elec. spec.	10WGY777
Layout	10LYK316
Eff. date	11-05-2024
CD Diagram	CD0180
Poles	02
Leads	9#10
Proprietary	False
Created date	04-25-2019

Duty Rating	CONT
Efficiency @ 100% Load	91.7 %
Electrically Isolated Bearing	Not Electrically Isolated
Enclosure Modification	Severe Duty Features
Feedback Device	NO FEEDBACK
Front Shaft Indicator	None
Haz Area Temp Code	T3C
Heater Indicator	No Heater
High Voltage Full Load Amps	28.0 a
Insulation Class	F
Inverter Code	Inverter Duty
IP Rating	IP55
KVA Code	G
Lifting Lugs	Standard Lifting Lugs
Locked Bearing Indicator	Locked Bearing
Max Speed	5400 rpm
Motor Lead Quantity/Wire Size	9 @ 10 AWG
Motor Lead Termination	Flying Leads
Motor Standards	NEMA
Motor Type	X1038M
Mounting Arrangement	F1
Number of Poles	2
Overall Length	27.24 IN
Power Factor	89
Product Family	Hazardous Location Motor
Pulley End Bearing Type	Ball
Pulley Face Code	Standard
Pulley Shaft Indicator	Standard
Rodent Screen	None
RoHS Status	ROHS NON-COMPLIANT
Service Factor	1.00
Shaft Diameter	1.625 IN
Shaft Ground Indicator	No Shaft Grounding
Shaft Rotation	Reversible

Shaft Slinger Indicator	Shaft Slinger
Speed	2930 rpm 3520 rpm
Speed Code	Single Speed
Starting Method	Direct on line
Thermal Device - Bearing	None
Thermal Device - Winding	Normally Closed Thermostat
Vibration Sensor Indicator	No Vibration Sensor
Winding Thermal 1	None
Winding Thermal 2	None

Nameplate

NP2033XPSLEV

NO.		CC	010A				
S/N		TEMP CODE	T3C				
SPEC.	10K316Y777G1	INV.TYPE	PWM				
CAT.NO.	CPX282526T	C HP FR	60	C HP TO	90		
HP	25//20	CT HZ FROM	6	CT HZ TO	60		
VOLTS	230/460//190/380	VT HZ FROM	6	VT HZ TO	60		
AMPS	57/28.5//56/28	MAG CUR	16.2/8.1				
RPM	3520//2930	MX RPM	5400				
HZ	60//50	PH	3	CL	F	NOM.EFF.	91.7
SER.F.	1.00	DES	B	SL HZ	1.3	WK2	1.63
FRAME	284TSY	RATING	40C AMB-CONT				
BLANK	55C AMB @ 1.00 SF, 60C RISE						
	1.15SF ON SINEWAVE		NEMA MG-1 PT.5,IP55				

AC Induction Motor Performance Data

Record # 31465

Typical performance - not guaranteed values

Winding: 10WGY777-R001		Type: 1038M	Enclosure: XPFC	
Nameplate Data			460 V, 60 Hz: High Voltage Connection	
Rated Output (HP)	25//20	Full Load Torque	37.4 LB-FT	
Volts	230/460//190/380	Start Configuration	direct on line	
Full Load Amps	57/28.5//56/28	Breakdown Torque	144 LB-FT	
R.P.M.	3520//2930	Pull-up Torque	50.1 LB-FT	
Hz	60//50 Phase	Locked-rotor Torque	64.7 LB-FT	
NEMA Design Code	B KVA Code	Starting Current	177 A	
Service Factor (S.F.)	1	No-load Current	8.07 A	
NEMA Nom. Eff.	91.7 Power Factor	Line-line Res. @ 25°C	0.294 Ω	
Rating - Duty	40C AMB-CONT	Temp. Rise @ Rated Load	57°C	
		Locked-rotor Power Factor	24.1	
		Rotor inertia	1.63 LB-FT ²	

Load Characteristics 460 V, 60 Hz, 25 HP

% of Rated Load	25	50	75	100	125	150
Power Factor	61	80	87	89	90	90
Efficiency	87.5	91.5	91.7	91.9	91.1	90
Speed	3576	3561	3543	3522	3499	3474
Line amperes	10.6	15.7	21.7	28.6	35.6	43.1

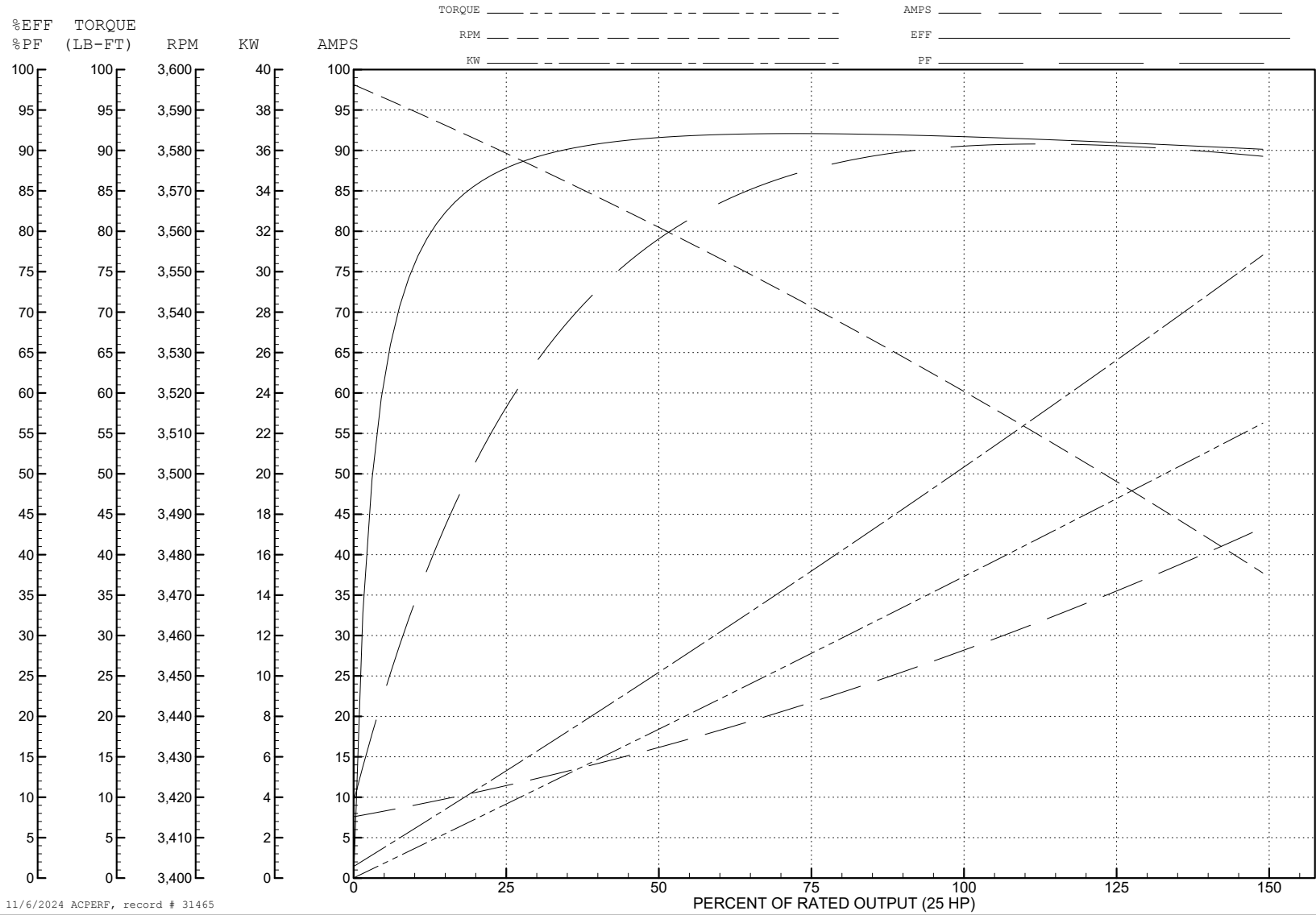
ABB Motors and Mechanical Inc.

WINDING # 10WGY777

Typical performance - not guaranteed values.

25 HP 3 PH 60 HZ 3522 RPM 460 V 1038M

TORQUES (LB-FT): PO=144 PU=50.1 LR=64.7 LRA=177



11/6/2024 ACPERF, record # 31465

AC Induction Motor Performance Data

Record # 31466

Typical performance - not guaranteed values

Winding: 10WGY777-R001		Type: 1038M		Enclosure: XPFC	
Nameplate Data			380 V, 50 Hz: High Voltage Connection		
Rated Output (HP)	25//20		Full Load Torque	36 LB-FT	
Volts	230/460//190/380		Start Configuration	direct on line	
Full Load Amps	57/28.5//56/28		Breakdown Torque	139 LB-FT	
R.P.M.	3520//2930		Pull-up Torque	53.4 LB-FT	
Hz	60//50	Phase	3	Locked-rotor Torque	69 LB-FT
NEMA Design Code	B KVA Code		G	Starting Current	173 A
Service Factor (S.F.)			1	No-load Current	7.96 A
NEMA Nom. Eff.	91.7	Power Factor	89	Line-line Res. @ 25°C	0.294 Ω
Rating - Duty	40C AMB-CONT			Temp. Rise @ Rated Load	55°C
				Locked-rotor Power Factor	27.2
				Rotor inertia	1.63 LB-FT ²

Load Characteristics 380 V, 50 Hz, 20 HP

% of Rated Load	25	50	75	100	125	150
Power Factor	61	80	87	90	90	90
Efficiency	85.6	90.2	90.8	91	90	89
Speed	2978	2963	2946	2926	2905	2881
Line amperes	10.4	15.3	21.2	27.9	34.8	42.2

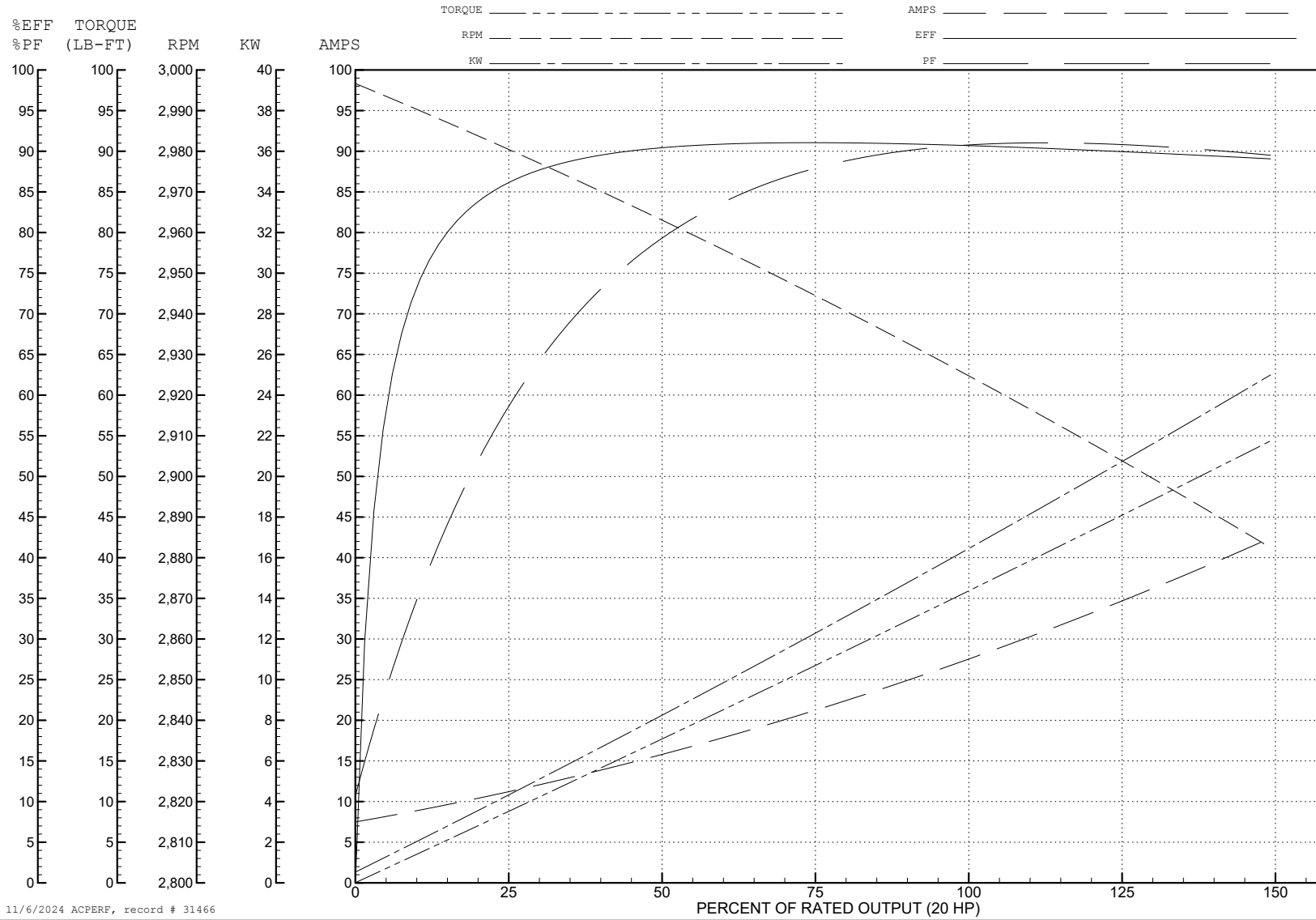
ABB Motors and Mechanical Inc.

WINDING # 10WGY777

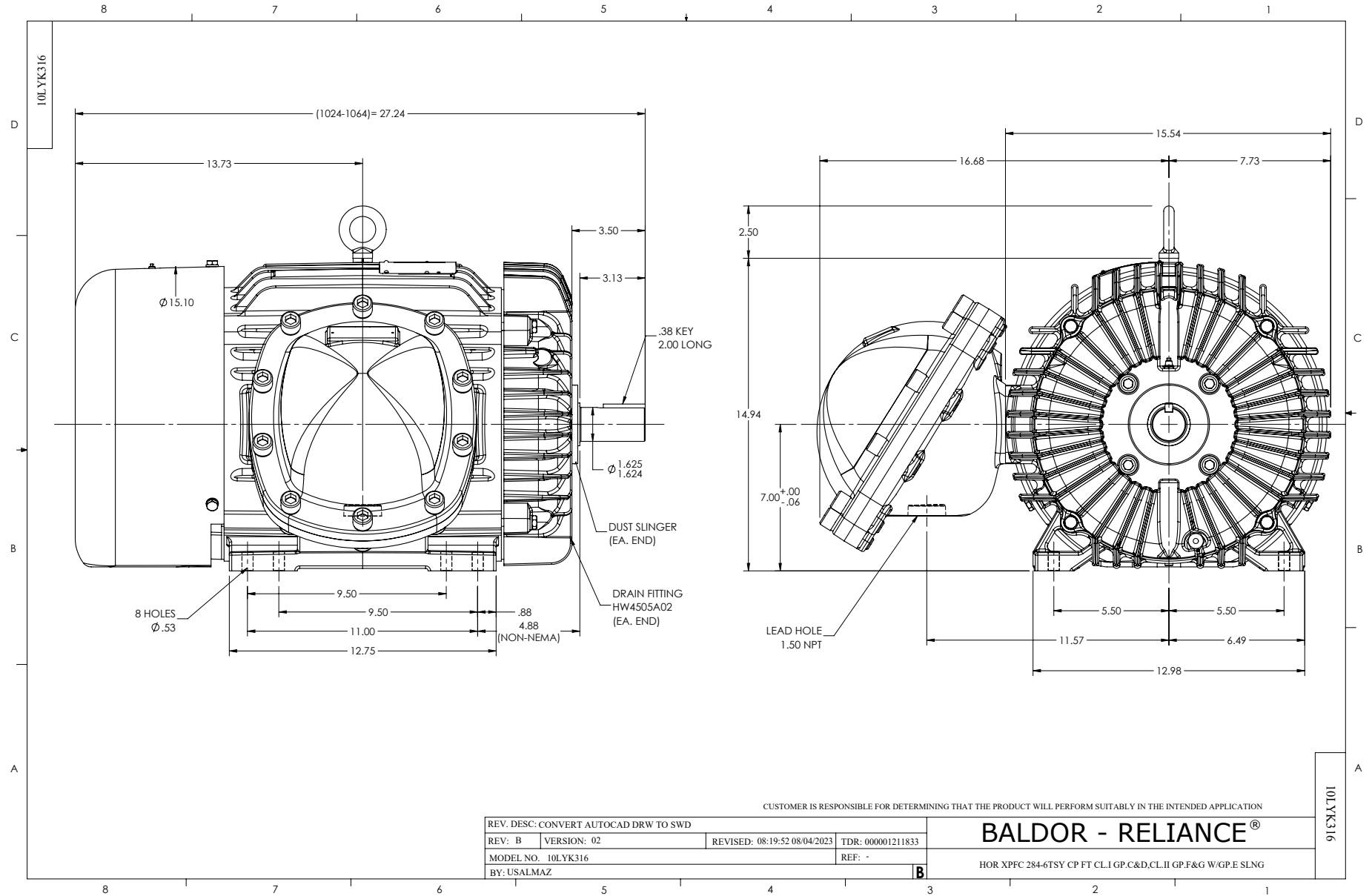
20 HP 3 PH 50 HZ 2926 RPM 380 V 1038M

Typical performance - not guaranteed values.

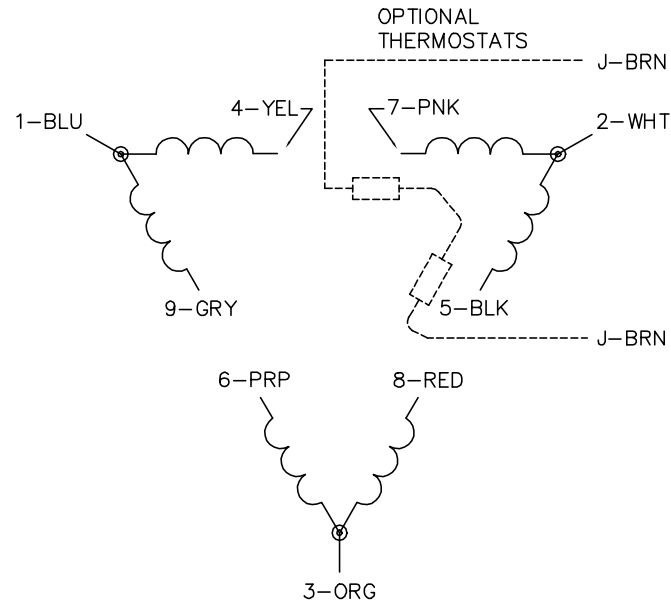
TORQUES (LB-FT): PO=139 PU=53.4 LR=69 LRA=173



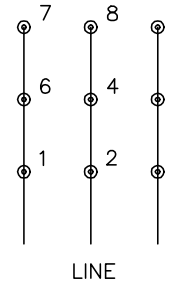
11/6/2024 ACPERF, record # 31466



CD0180



LOW VOLTAGE
(2D)



HIGH VOLTAGE
(1D)



NOTES:

1. INTERCHANGE ANY TWO LINE LEADS TO REVERSE ROTATION.
2. OPTIONAL THERMOSTATS ARE PROVIDED WHEN SPECIFIED.
3. ACTUAL NUMBER OF INTERNAL PARALLEL CIRCUITS MAY BE A MULTIPLE OF THOSE SHOWN ABOVE.
4. LEAD COLORS ARE OPTIONAL. LEADS MUST ALWAYS BE NUMBERED AS SHOWN.

CD0180

REV. DESC: ADD CLASS CONN00000007		
REV. LTR: D	VERSION: 01	TDR: 000001099922
FILE: \AAA\00005\148	REVISED: 10: 25: 29 02/19/2019	BY: ENBRIRO
MTL: -	© □	

BALDOR - RELIANCE®

3PH, DV, 9 LEADS, DELTA CONNECTION

SH 1 of 1