



Customer information packet

CPX141546T

1.5HP, 1755RPM, 3PH, 60HZ, 145T, 0526M, XPFC, F
Class - CLI GP C,D; CLII GP E,F,G
Division - Division I

Specifications

| | |
|--------------------------------|---|
| Enclosure | XPFC |
| Frame | 145T |
| Frame Material | Iron |
| Frequency | 60.00 Hz |
| Haz Area Class and Group | CLI GP C,D; CLII GP E,F,G |
| Haz Area Division | Division I |
| Motor Letter Type | Three Phase |
| Output @ Frequency | 1.500 HP @ 60 HZ |
| Phase | 3 |
| Synchronous Speed @ Frequency | 1800 RPM @ 60 HZ |
| Voltage @ Frequency | 208.0 V @ 60 HZ 230.0 V @ 60 HZ 460.0 V @ 60 HZ |
| Agency Approvals | CSA EEV UL |
| Ambient Temperature | 40 °C |
| Auxillary Box | No Auxillary Box |
| Auxillary Box Lead Termination | None |
| Base Indicator | Rigid |
| Bearing Grease Type | Polyrex EM (-20F +300F) |
| Blower | None |
| Constant Torque Speed Range | 6 |
| Current @ Voltage | 4.500 A @ 230.0 V 4.400 A @ 208.0 V 2.250 A @ 460.0 V |
| Design Code | B |
| Drip Cover | No Drip Cover |
| Duty Rating | CONT |
| Efficiency @ 100% Load | 86.5 % |
| Electrically Isolated Bearing | Not Electrically Isolated |
| Feedback Device | NO FEEDBACK |
| Front Shaft Indicator | None |

Part detail

| | |
|--------------|------------|
| Revision | A |
| Type | AC |
| Mech. spec. | 05E6081 |
| Base | |
| Status | PRD/A |
| Elec. spec. | 05WGX901 |
| Layout | 05LYE6081 |
| Eff. date | 08-24-2023 |
| CD Diagram | CD0005 |
| Poles | 04 |
| Leads | 9#18 Y |
| Proprietary | False |
| Created date | 02-20-2023 |

| | |
|-------------------------------|------------------------------|
| Haz Area Temp Code | T3C |
| Heater Indicator | No Heater |
| High Voltage Full Load Amps | 2.3 a |
| Insulation Class | F |
| Inverter Code | Inverter Ready |
| KVA Code | L |
| Lifting Lugs | Standard Lifting Lugs |
| Locked Bearing Indicator | Locked Bearing |
| Max Speed | 2700 rpm |
| Motor Lead Quantity/Wire Size | 9 @ 18 AWG |
| Motor Lead Termination | Flying Leads |
| Motor Standards | NEMA |
| Motor Type | X0526M |
| Mounting Arrangement | F1 |
| Number of Poles | 4 |
| Overall Length | 16.66 IN |
| Power Factor | 73 |
| Product Family | Chemical Processing (Not DC) |
| Pulley End Bearing Type | Ball |
| Pulley Face Code | Standard |
| Pulley Shaft Indicator | Standard |
| Rodent Screen | None |
| RoHS Status | ROHS NON-COMPLIANT |
| Service Factor | 1.00 |
| Shaft Diameter | 0.875 IN |
| Shaft Ground Indicator | No Shaft Grounding |
| Shaft Rotation | Reversible |
| Shaft Slinger Indicator | No Slinger |
| Speed | 1755 rpm |
| Speed Code | Single Speed |
| Starting Method | Direct on line |
| Thermal Device - Bearing | None |
| Thermal Device - Winding | Normally Closed Thermostat |
| Vibration Sensor Indicator | No Vibration Sensor |

| | |
|-------------------|------|
| Winding Thermal 1 | None |
| Winding Thermal 2 | None |

Nameplate

| NP2033XPSLEV | | | | | | | | | | |
|----------------|------------------------|------------------|-------------------|--------------|-----------------|-----------------|-------|--|--|--|
| NO. | | CC | 010A | | | | | | | |
| S/N | | TEMP CODE | T3C | | | | | | | |
| SPEC. | 05E6081X901G1 | | INV.TYPE | PWM | | | | | | |
| CAT.NO. | CPX141546T | | C HP FR | 60 | C HP TO | 90 | | | | |
| HP | 1.5 | | CT HZ FROM | 6 | CT HZ TO | 60 | | | | |
| VOLTS | 208-230/460 | | VT HZ FROM | 6 | VT HZ TO | 60 | | | | |
| AMPS | 4.4-4.5/2.25 | | MAG CUR | 2.3-2.9/1.45 | | | | | | |
| RPM | 1755 | | MX RPM | 2700 | | | | | | |
| HZ | 60 | PH | 3 | CL | F | NOM.EFF. | 86.5 | | | |
| SER.F. | 1.00 | DES | B | SL HZ | 1.5 | WK2 | 0.188 | | | |
| FRAME | 145T | RATING | 40C AMB-CONT | | | | | | | |
| BLANK | 55C AT 1.00SF SINEWAVE | | | | | | | | | |
| | 1.15 SF SINEWAVE | | | | IP55 | | | | | |

AC Induction Motor Performance Data

Record # 75783

Typical performance - not guaranteed values

| Winding: 05WGX163-R005 | | Type: 0526M | | Enclosure: XPFC | |
|-------------------------------|-------------------|---------------------|--|----------------------------------|--------------------------|
| Nameplate Data | | | 380 V, 50 Hz: High Voltage Connection | | |
| Rated Output (HP) | 1.5//1 | | Full Load Torque | 3.63 LB-FT | |
| Volts | 230/460//190/380 | | Start Configuration | direct on line | |
| Full Load Amps | 4.6/2.3//4.2/2.1 | | Breakdown Torque | 20.12 LB-FT | |
| R.P.M. | 1765//1470 | | Pull-up Torque | 12.29 LB-FT | |
| Hz | 60//50 | Phase | 3 | Locked-rotor Torque | 14.99 LB-FT |
| NEMA Design Code | B KVA Code | | M | Starting Current | 19.57 A |
| Service Factor (S.F.) | | | 1 | No-load Current | 1.5 A |
| NEMA Nom. Eff. | 86.5 | Power Factor | 71 | Line-line Res. @ 25°C | 8.63 Ω |
| Rating - Duty | 40C AMB-CONT | | | Temp. Rise @ Rated Load | 28°C |
| S.F. Amps | | | | Temp. Rise @ S.F. Load | 32°C |
| | | | | Locked-rotor Power Factor | 55.8 |
| | | | | Rotor inertia | 0.154 LB-FT ² |

Load Characteristics 380 V, 50 Hz, 1 HP

| % of Rated Load | 25 | 50 | 75 | 100 | 125 | 150 |
|------------------------|-----------|-----------|-----------|------------|------------|------------|
| Power Factor | 28 | 44 | 57 | 66 | 72 | 77 |
| Efficiency | 69.5 | 80.1 | 83.6 | 85.3 | 85.4 | 85 |
| Speed | 1493 | 1486 | 1479 | 1471 | 1462 | 1454 |
| Line amperes | 1.55 | 1.66 | 1.85 | 2.05 | 2.33 | 2.62 |

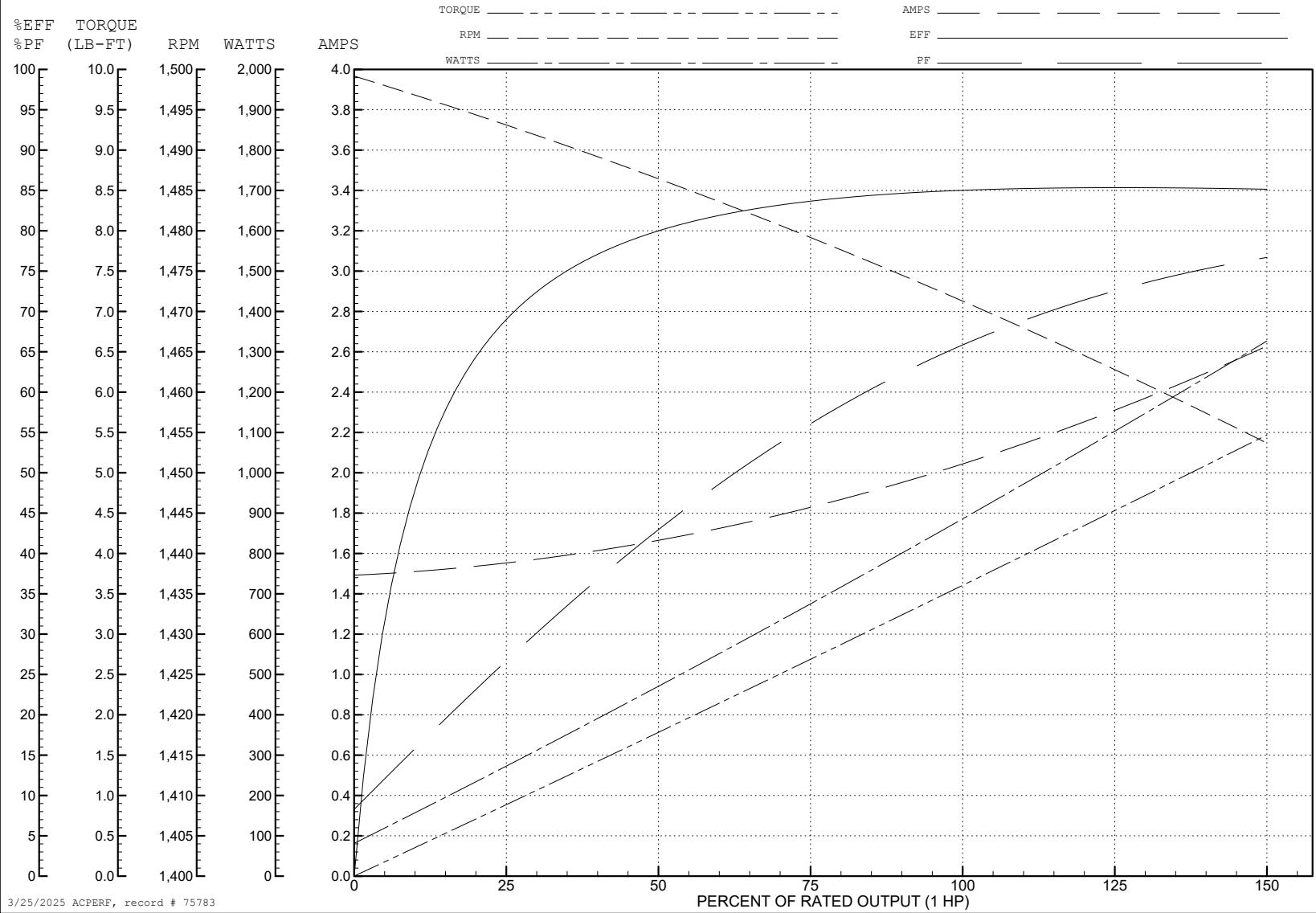
ABB Motors and Mechanical Inc.

WINDING # 05WGX163

Typical performance - not guaranteed values.

1 HP 3 PH 50 HZ 1471 RPM 380 V 0526M

TORQUES (LB-FT): PO=20.12 PU=12.29 LR=14.99 LRA=19.57



3/25/2025 ACPERF, record # 75783

AC Induction Motor Performance Data

Record # 75786

Typical performance - not guaranteed values

| Winding: 05WGX163-R005 | | Type: 0526M | Enclosure: XPFC | | | |
|------------------------|------------------|--------------|--|---------------------|---------------------------|--------------------------|
| Nameplate Data | | | 460 V, 60 Hz: High Voltage Connection | | | |
| Rated Output (HP) | 1.5//1 | | Full Load Torque | 4.54 LB-FT | | |
| Volts | 230/460//190/380 | | Start Configuration | direct on line | | |
| Full Load Amps | 4.6/2.3//4.2/2.1 | | Breakdown Torque | 21.7 LB-FT | | |
| R.P.M. | 1765//1470 | | Pull-up Torque | 12.3 LB-FT | | |
| Hz | 60//50 | Phase | 3 | Locked-rotor Torque | 15 LB-FT | |
| NEMA Design Code | B | | KVA Code | M | Starting Current | 20.7 A |
| Service Factor (S.F.) | 1 | | | | No-load Current | 1.54 A |
| NEMA Nom. Eff. | 86.5 | Power Factor | 71 | | Line-line Res. @ 25°C | 8.63 Ω |
| Rating - Duty | 40C | | AMB-CONT | | Temp. Rise @ Rated Load | 34°C |
| S.F. Amps | | | | | Temp. Rise @ S.F. Load | 40°C |
| | | | | | Locked-rotor Power Factor | 50.3 |
| | | | | | Rotor inertia | 0.154 LB-FT ² |

Load Characteristics 460 V, 60 Hz, 1.5 HP

| % of Rated Load | 25 | 50 | 75 | 100 | 125 | 150 |
|-----------------|------|------|------|------|------|------|
| Power Factor | 31 | 49 | 62 | 71 | 77 | 80 |
| Efficiency | 74.4 | 83.1 | 85.8 | 86.9 | 86.5 | 86 |
| Speed | 1792 | 1783 | 1774 | 1764 | 1754 | 1743 |
| Line amperes | 1.61 | 1.77 | 2.03 | 2.32 | 2.69 | 3.09 |

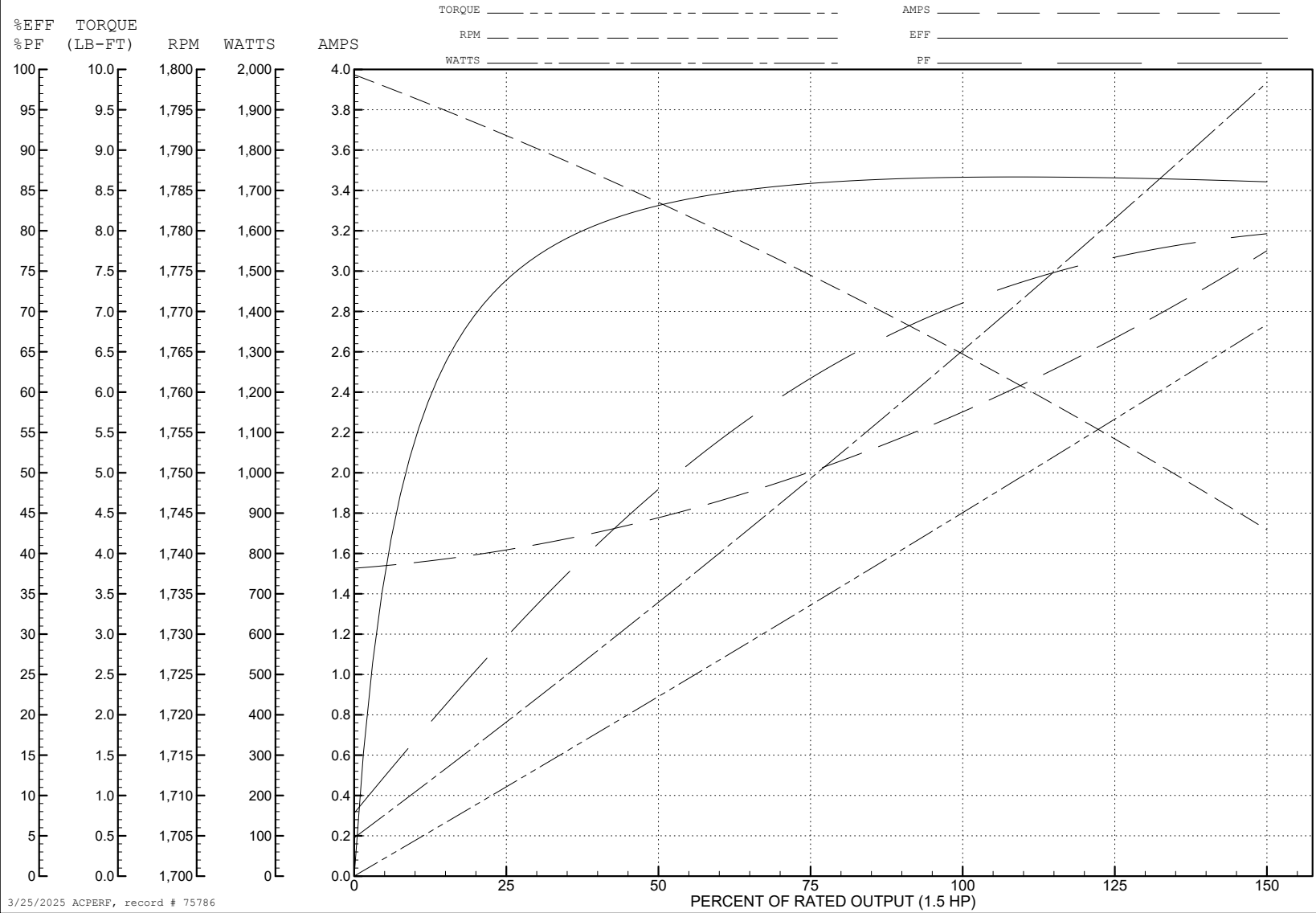
ABB Motors and Mechanical Inc.

WINDING # 05WGX163

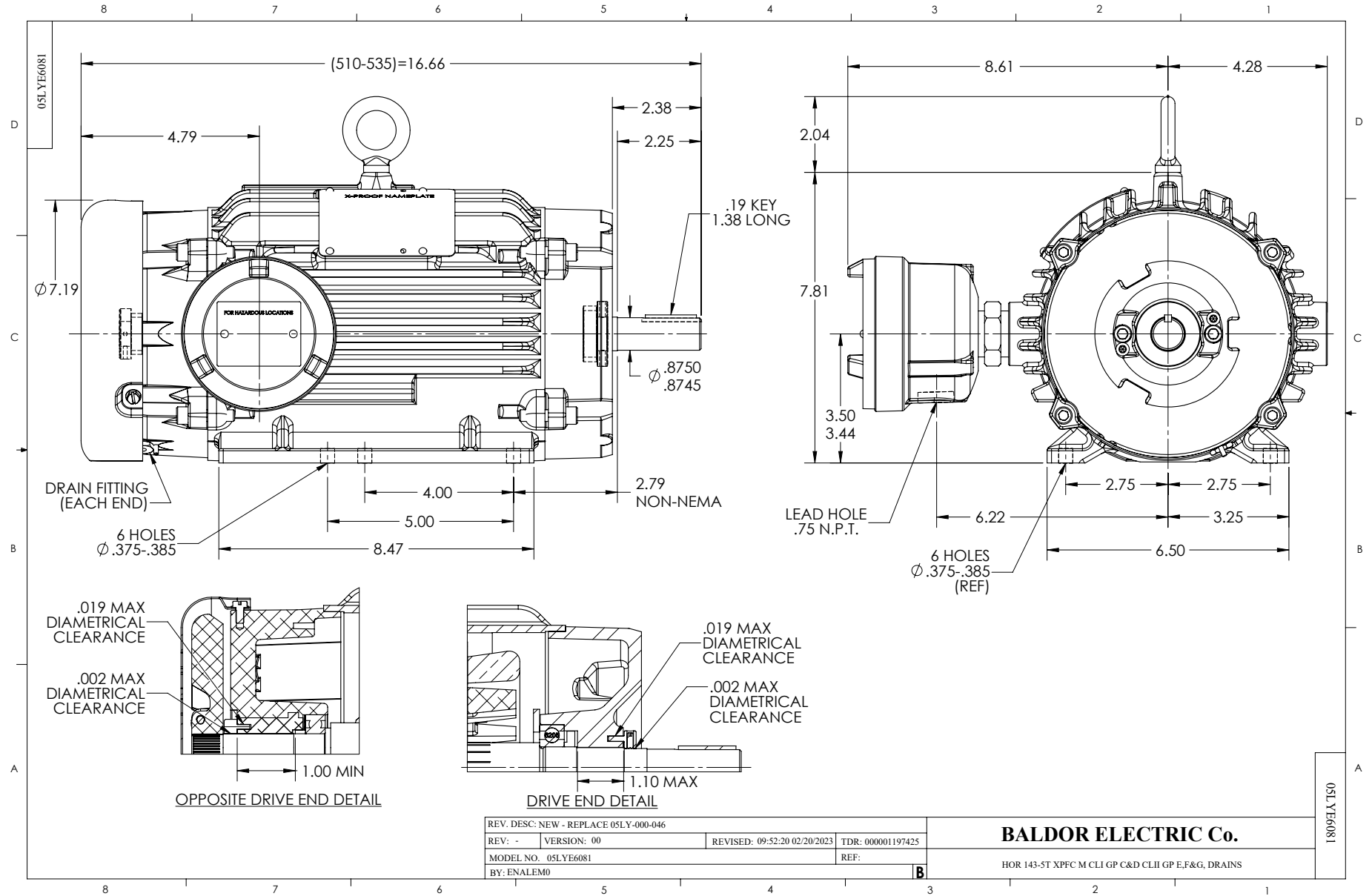
Typical performance - not guaranteed values.

1.5 HP 3 PH 60 HZ 1764 RPM 460 V 0526M

TORQUES (LB-FT): PO=21.7 PU=12.3 LR=15 LRA=20.7



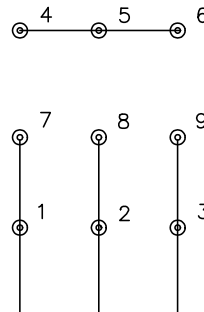
3/25/2025 ACPERF, record # 75786



CD0005

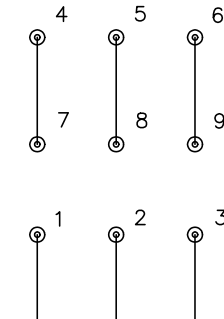


LOW VOLTAGE
(2Y)



LINE

HIGH VOLTAGE
(1Y)



LINE

NOTES:

1. INTERCHANGE ANY TWO LINE LEADS TO REVERSE ROTATION.
2. OPTIONAL THERMOSTATS ARE PROVIDED WHEN SPECIFIED.
3. ACTUAL NUMBER OF INTERNAL PARALLEL CIRCUITS MAY BE A MULTIPLE OF THOSE SHOWN ABOVE.
4. LEAD COLORS ARE OPTIONAL. LEADS MUST ALWAYS BE NUMBERED AS SHOWN.

CD0005

| | | | |
|---|---------|-------------------------|--------------|
| REV. DESC: REVISE TO SHOW OPTIONAL COLORS | | | |
| REV. LTR: E | BY: JLP | REVISED: 01/19/99 10:15 | TDR: 0171435 |
| S00000 | | FILE: AAA00005140 | MDL: - |
| | | MTL: - | |

BALDOR ELECTRIC Co.

3PH, DV, 9 LEADS