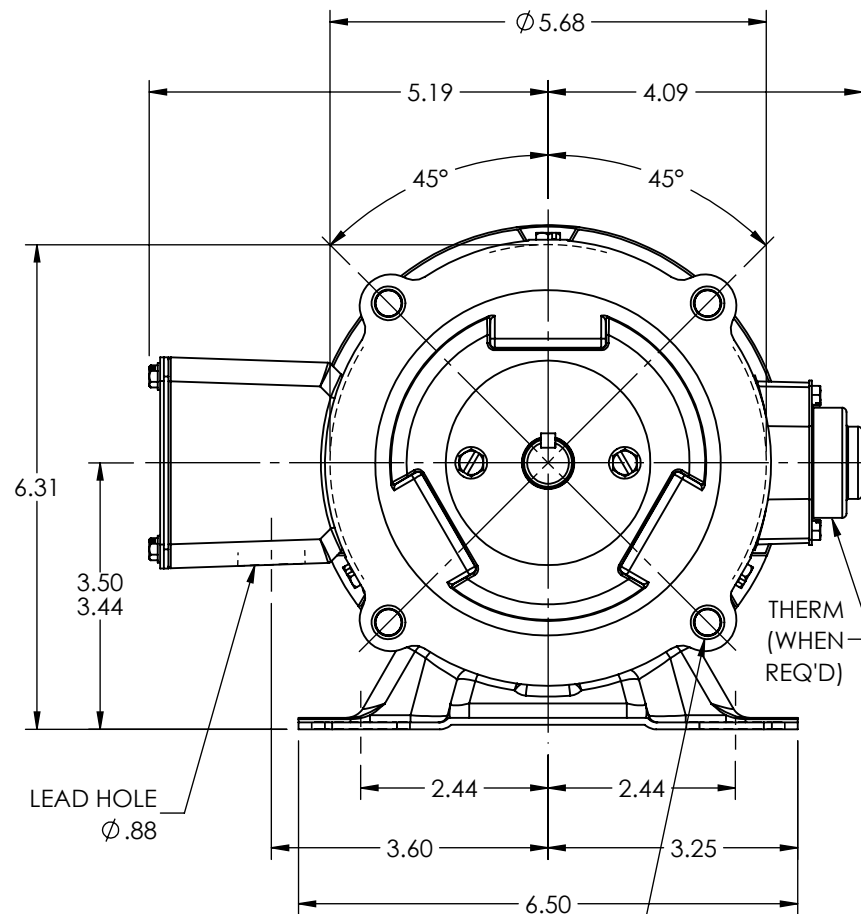
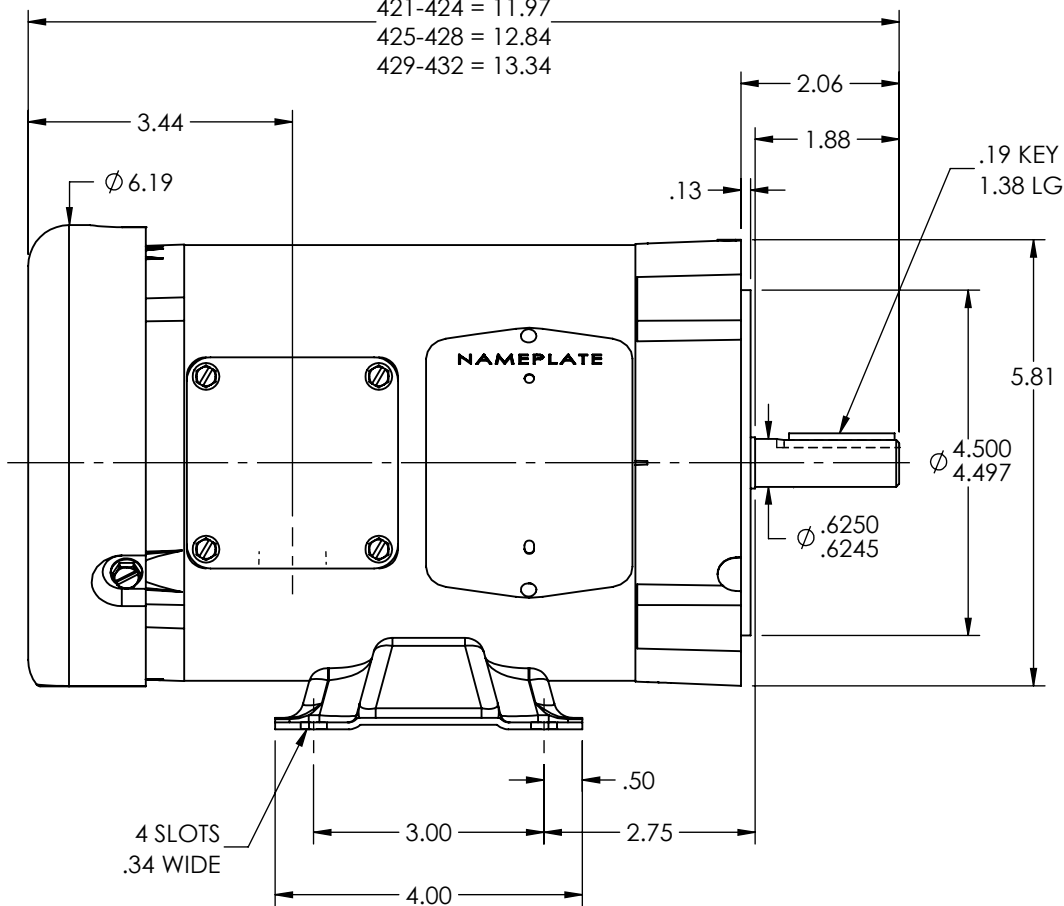


408-420 = 11.34
 421-424 = 11.97
 425-428 = 12.84
 429-432 = 13.34



CUSTOMER IS RESPONSIBLE FOR DETERMINING THAT THE PRODUCT WILL PERFORM SUITABLY IN THE INTENDED APPLICATION

REV. DESC: CLEAN UP DIMENSIONING			
REV: U	VERSION: 06	REVISED: 10:13:09 10/31/2024	TDR: 000001243684
MODEL NO. 34LYA062		REF: -	
BY: ENJFDO			

BALDOR - RELIANCE®

STD HORZ 34M NEMA 56C TEFC