



Customer information packet

CL3710T

7.5HP, 1745RPM, 1PH, 60HZ, 215TC, TEFC, F1

Class - None

Division - Not Applicable

Specifications

Enclosure	TEFC
Frame	215TC
Frame Material	Steel
Frequency	60.00 Hz
Haz Area Class and Group	None
Haz Area Division	Not Applicable
Motor Letter Type	Cap Start, Cap Run
Output @ Frequency	7.500 HP @ 60 HZ
Phase	1
Synchronous Speed @ Frequency	1800 RPM @ 60 HZ
Voltage @ Frequency	208.0 V @ 60 HZ 230.0 V @ 60 HZ
Agency Approvals	CSA UR
Ambient Temperature	40 °C
Auxillary Box	No Auxillary Box
Auxillary Box Lead Termination	None
Base Indicator	Rigid
Bearing Grease Type	Polyrex EM (-20F +300F)
Blower	None
Current @ Voltage	29.000 A @ 230.0 V 31.000 A @ 208.0 V
Design Code	L
Drip Cover	No Drip Cover
Duty Rating	CONT
Efficiency @ 100% Load	86.5 %
Electrically Isolated Bearing	Not Electrically Isolated
Feedback Device	NO FEEDBACK
Heater Indicator	No Heater
High Voltage Full Load Amps	29.0 a
Insulation Class	F
Inverter Code	Not Inverter

Part detail

Revision	E
Type	AC
Mech. spec.	
Base	
Status	PRD/A
Elec. spec.	37WGT876
Layout	37LYM362
Eff. date	05-01-2024
CD Diagram	CD0086
Poles	04
Leads	2#10 A PH,2#14 B PH
Proprietary	False
Created date	08-06-2019

IP Rating	NONE
KVA Code	G
Lifting Lugs	Standard Lifting Lugs
Locked Bearing Indicator	Locked Bearing
Motor Lead Termination	Flying Leads
Motor Standards	NEMA
Motor Type	3734LC
Mounting Arrangement	F1
Number of Poles	4
Overall Length	19.75 IN
Power Factor	97
Product Family	General Purpose
Pulley Face Code	C-Face
Rodent Screen	None
Service Factor	1.00
Shaft Diameter	1.375 IN
Shaft Ground Indicator	No Shaft Grounding
Shaft Rotation	Reversible
Speed	1745 rpm
Speed Code	Single Speed
Starting Method	Direct on line
Thermal Device - Bearing	None
Thermal Device - Winding	None
Vibration Sensor Indicator	No Vibration Sensor
Winding Thermal 1	None
Winding Thermal 2	None

Nameplate

NP1256L									
CAT.NO.	CL3710T								
SPEC.	37-0000-0099								
HP	7.5								
VOLTS	208-230								
AMP	31-29								
RPM	1745								
FRAME	215TC		HZ	60		PH	1		
SER.F.	1.00	CODE	G	DES	L	CLASS	F		
NEMA-NOM-EFF	86.5	PF	97						
RATING	40C AMB-CONT								
CC									
DE	6307		ODE	6206					
ENCL	TEFC	SN							

AC Induction Motor Performance Data

Record # 37142

Typical performance - not guaranteed values

Winding: 37WGT876-R001		Type: 3734LC		Enclosure: TEFC	
Nameplate Data			230 V, 60 Hz: Single Voltage Motor		
Rated Output (HP)	7.5	Full Load Torque	22.4 LB-FT		
Volts	230	Start Configuration	direct on line		
Full Load Amps	29	Breakdown Torque	62.7 LB-FT		
R.P.M.	1745	Pull-up Torque	41.1 LB-FT		
Hz	60 Phase	1	Locked-rotor Torque	64 LB-FT	
NEMA Design Code	L KVA Code	G	Starting Current	186 A	
Service Factor (S.F.)		1	No-load Current	5.37 A	
NEMA Nom. Eff.	86.5 Power Factor	97	Line-line Res. @ 25°C	0.263 Ω A Ph 0.705 Ω B Ph	
Rating - Duty	40C AMB-CONT		Temp. Rise @ Rated Load	90°C	

Load Characteristics 230 V, 60 Hz, 7.5 HP

% of Rated Load	25	50	75	100	125	150
Power Factor	91	97	98	97	97	96
Efficiency	70.9	83.8	86.8	86.8	85	81.3
Speed	1787	1775	1761	1745	1726	1701
Line amperes	9.1	14.9	21.4	28.6	36.8	46.8

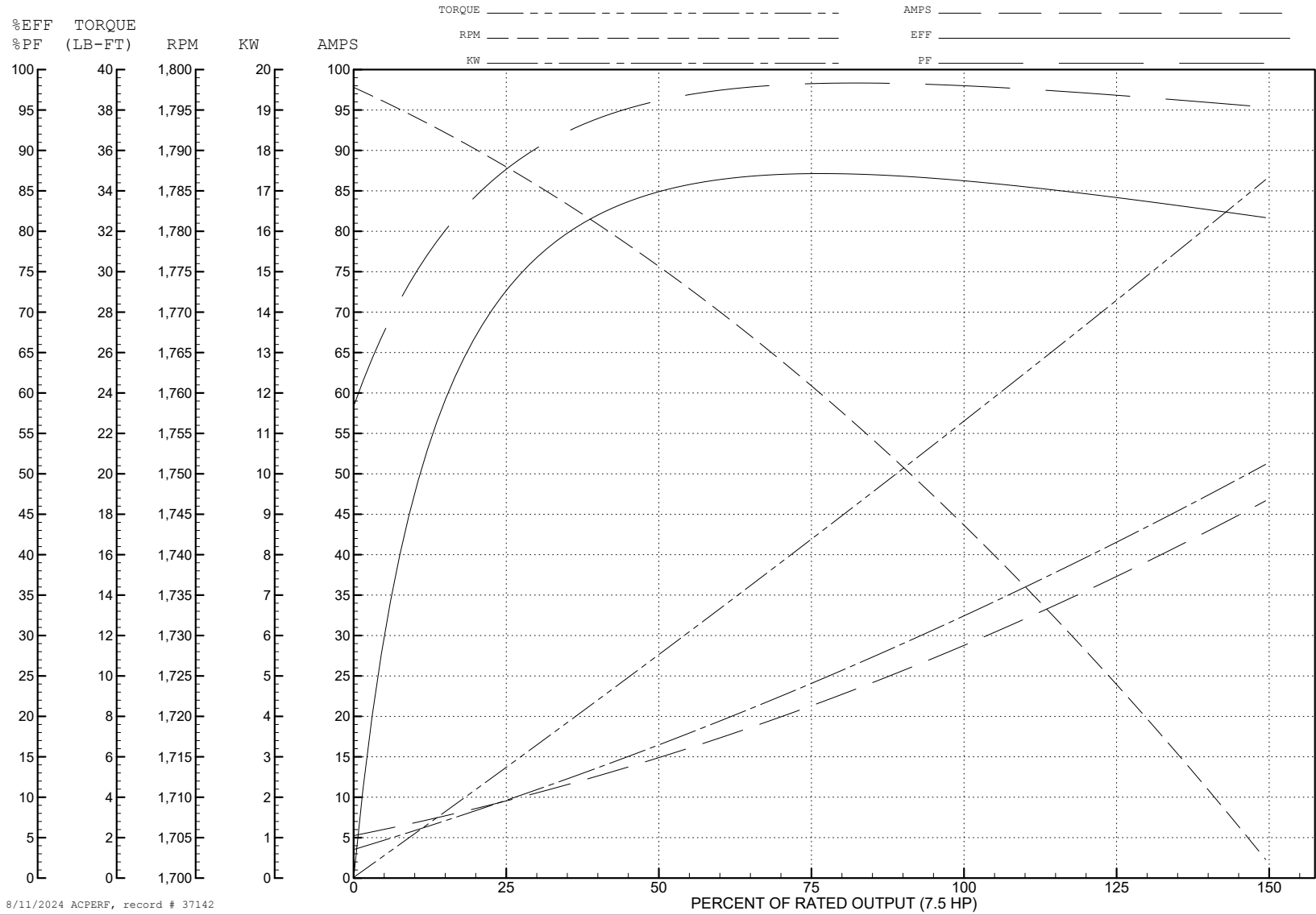
ABB Motors and Mechanical Inc.

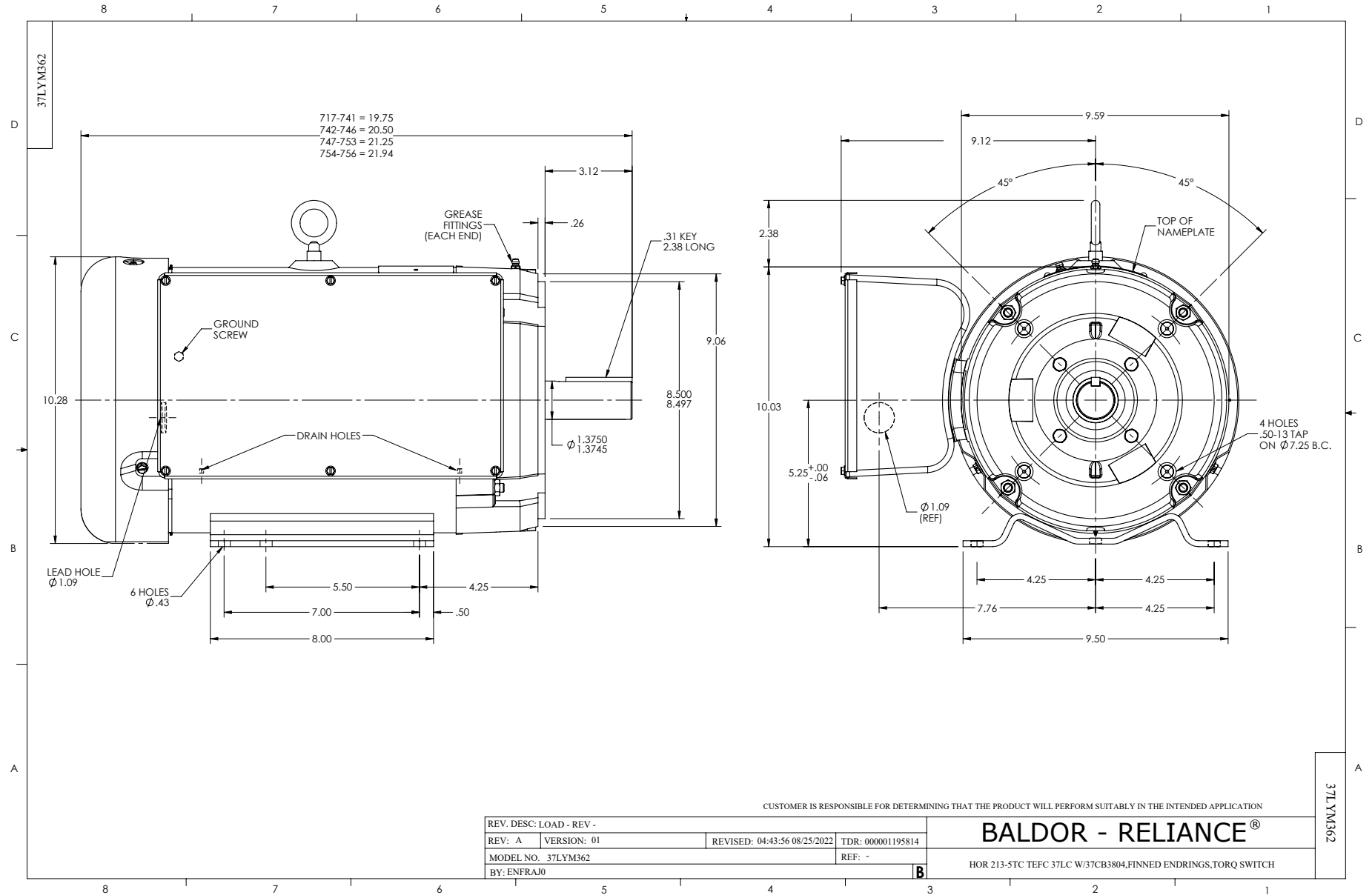
WINDING # 37WGT876

Typical performance - not guaranteed values.

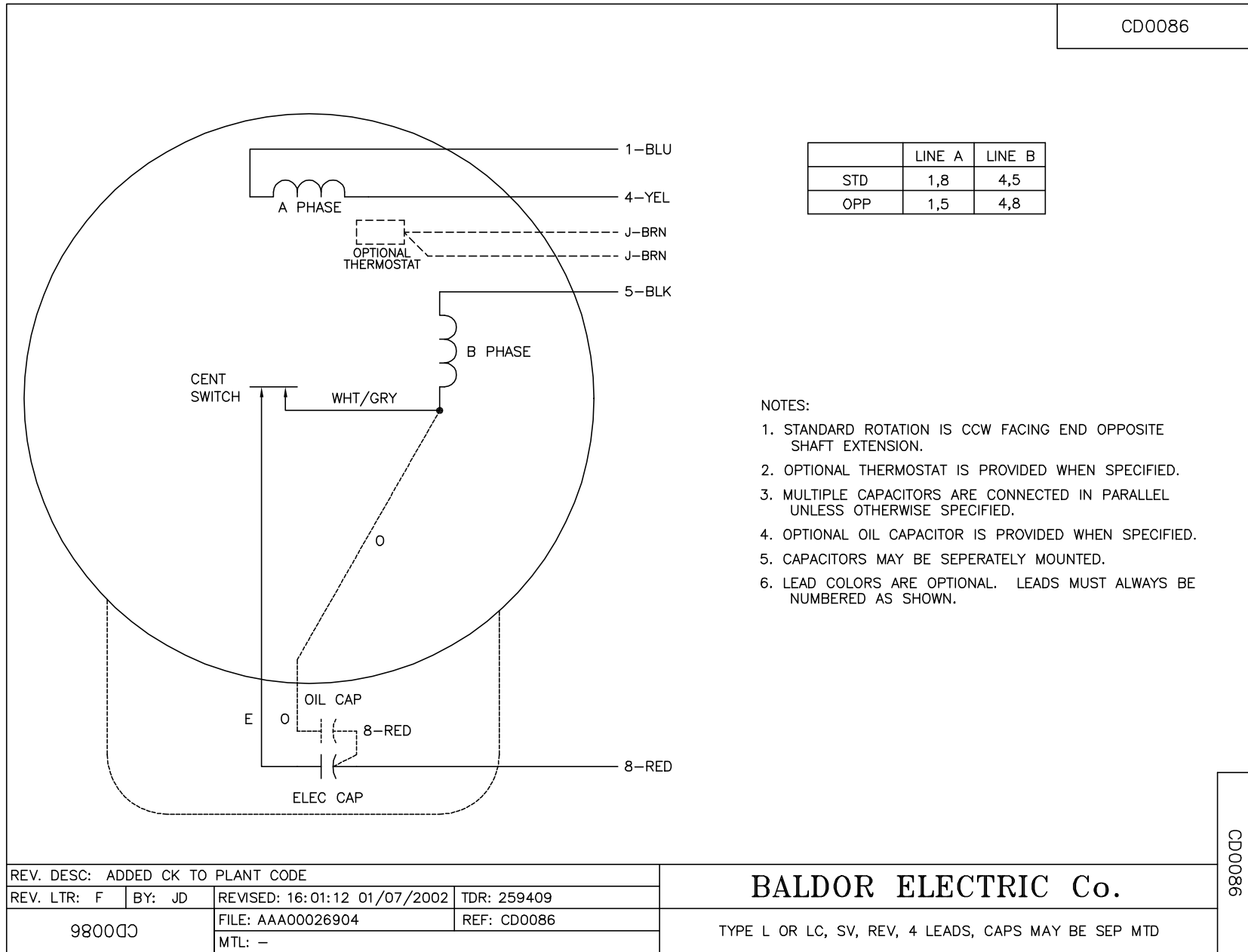
7.5 HP 1 PH 60 HZ 1745 RPM 230 V 3734LC

TORQUES (LB-FT): PO=62.7 PU=41.1 LR=64 LRA=186





CD0086



	LINE A	LINE B
STD	1,8	4,5
OPP	1,5	4,8

NOTES:

1. STANDARD ROTATION IS CCW FACING END OPPOSITE SHAFT EXTENSION.
2. OPTIONAL THERMOSTAT IS PROVIDED WHEN SPECIFIED.
3. MULTIPLE CAPACITORS ARE CONNECTED IN PARALLEL UNLESS OTHERWISE SPECIFIED.
4. OPTIONAL OIL CAPACITOR IS PROVIDED WHEN SPECIFIED.
5. CAPACITORS MAY BE SEPERATELY MOUNTED.
6. LEAD COLORS ARE OPTIONAL. LEADS MUST ALWAYS BE NUMBERED AS SHOWN.

REV. DESC: ADDED CK TO PLANT CODE			
REV. LTR: F	BY: JD	REVISED: 16:01:12 01/07/2002	TDR: 259409
980000		FILE: AAA00026904	REF: CD0086
		MTL: -	

BALDOR ELECTRIC Co.

TYPE L OR LC, SV, REV, 4 LEADS, CAPS MAY BE SEP MTD

CD0086