



Customer information packet

CJM3104

.33HP, 1730RPM, 3PH, 60HZ, 56J, 3413M, OPEN, F1

Class - None

Division - Not Applicable

Specifications

Enclosure	OPEN
Frame	56J
Frame Material	Steel
Frequency	60.00 Hz
Haz Area Class and Group	None
Haz Area Division	Not Applicable
Motor Letter Type	Three Phase
Output @ Frequency	.330 HP @ 60 HZ
Phase	3
Synchronous Speed @ Frequency	1800 RPM @ 60 HZ
Voltage @ Frequency	230.0 V @ 60 HZ 460.0 V @ 60 HZ
Agency Approvals	CSA UR
Ambient Temperature	40 °C
Auxillary Box	No Auxillary Box
Auxillary Box Lead Termination	None
Base Indicator	Rigid
Bearing Grease Type	Polyrex EM (-20F +300F)
Blower	None
Current @ Voltage	.700 A @ 460.0 V 1.300 A @ 208.0 V 1.400 A @ 230.0 V
Design Code	B
Drip Cover	Drip Cover
Duty Rating	CONT
Efficiency @ 100% Load	68.0 %
Electrically Isolated Bearing	Not Electrically Isolated
Feedback Device	NO FEEDBACK
Front Shaft Indicator	None
Heater Indicator	No Heater
High Voltage Full Load Amps	0.7 a

Part detail

Revision	B
Type	AC
Mech. spec.	34-5066
Base	
Status	PRD/A
Elec. spec.	34WGR709
Layout	34LY5066
Eff. date	02-08-2024
CD Diagram	CD0005
Poles	04
Leads	9#18
Proprietary	False
Created date	02-05-2021

Insulation Class	B
Inverter Code	Not Inverter
KVA Code	L
Lifting Lugs	No Lifting Lugs
Locked Bearing Indicator	Locked Bearing
Motor Lead Quantity/Wire Size	9 @ 18 AWG
Motor Lead Termination	Flying Leads
Motor Standards	NEMA
Motor Type	3413M
Mounting Arrangement	F1
Number of Poles	4
Overall Length	11.85 IN
Power Factor	66
Product Family	General Purpose
Pulley End Bearing Type	Ball
Pulley Face Code	C-Face
Pulley Shaft Indicator	Ext Thread
Rodent Screen	None
RoHS Status	ROHS COMPLIANT
Service Factor	1.35
Shaft Diameter	0.625 IN
Shaft Ground Indicator	No Shaft Grounding
Shaft Rotation	Reversible
Shaft Slinger Indicator	No Slinger
Speed	1730 rpm
Speed Code	Single Speed
Starting Method	Direct on line
Thermal Device - Bearing	None
Thermal Device - Winding	None
Vibration Sensor Indicator	No Vibration Sensor
Winding Thermal 1	None
Winding Thermal 2	None

Nameplate

NP1256L									
CAT.NO.	CJM3104								
SPEC.	34-5066R709								
HP	.33								
VOLTS	230/460								
AMP	1.4/.7								
RPM	1730								
FRAME	56J		HZ	60		PH	3		
SER.F.	1.35	CODE	L	DES	B	CLASS	B		
NEMA-NOM-EFF	68	PF	66						
RATING	40C AMB-CONT								
CC									
DE	6203		ODE	6203					
ENCL	OPEN	SN							
	SFA 1.6/.8								

Accessories

Part number	Description	Multiplier
34-171	C FACE KIT	A8

AC Induction Motor Performance Data

Record # 85527

Preliminary Data Sheet

Winding: 34WGR709-R001		Type: 3413M	Enclosure: TEFC	
Nameplate Data			460 V, 60 Hz: High Voltage Connection	
Rated Output (HP)	.33	Full Load Torque	1 LB-FT	
Volts	230/460	Start Configuration	direct on line	
Full Load Amps	1.4/0.7	Breakdown Torque	3.5 LB-FT	
R.P.M.	1725	Pull-up Torque	2.13 LB-FT	
Hz	60	Locked-rotor Torque	2.72 LB-FT	
NEMA Design Code	B	Starting Current	3.93 A	
Service Factor (S.F.)	1.35	No-load Current	0.6 A	
NEMA Nom. Eff.	67	Line-line Res. @ 25°C	70.9 Ω	
Rating - Duty	40C AMB-CONT	Temp. Rise @ Rated Load	51°C	
S.F. Amps	1.6/0.8	Temp. Rise @ S.F. Load	67°C	
		Locked-rotor Power Factor	82	
		Rotor inertia	0.031 lb-ft ²	

Load Characteristics 460 V, 60 Hz, 0.33 HP

% of Rated Load	25	50	75	100	125	150	S.F.
Power Factor	33	46	57	67	69	81	77
Efficiency	38.6	55.6	63.2	67.3	68.7	67.2	68.7
Speed	1779	1764	1749	1731	1712	1691	1697
Line amperes	0.6	0.62	0.65	0.7	0.76	0.85	0.81

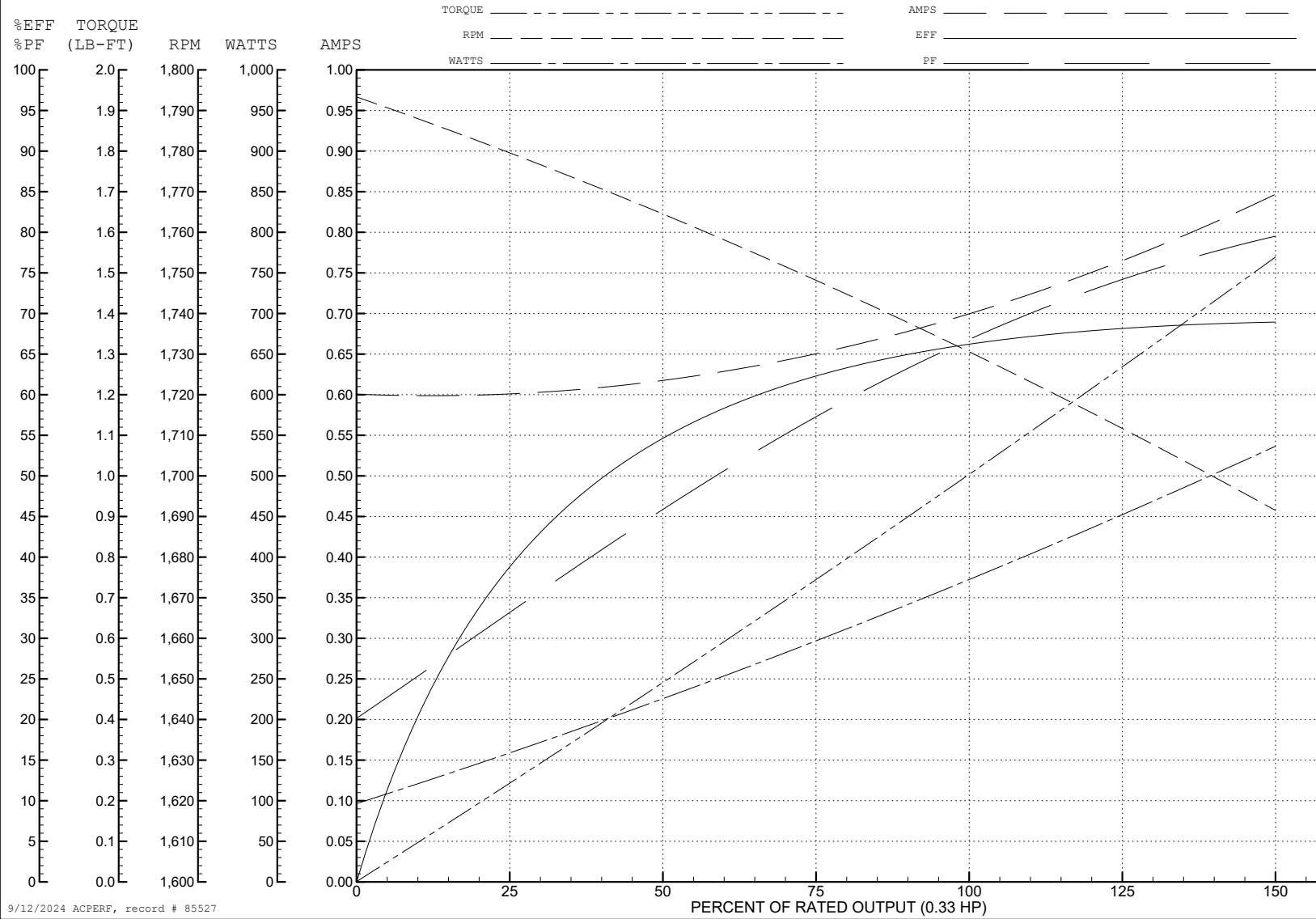
ABB Motors and Mechanical Inc.

WINDING # 34WGR709

0.33 HP 3 PH 60 HZ 1725 RPM 460 V 3413M

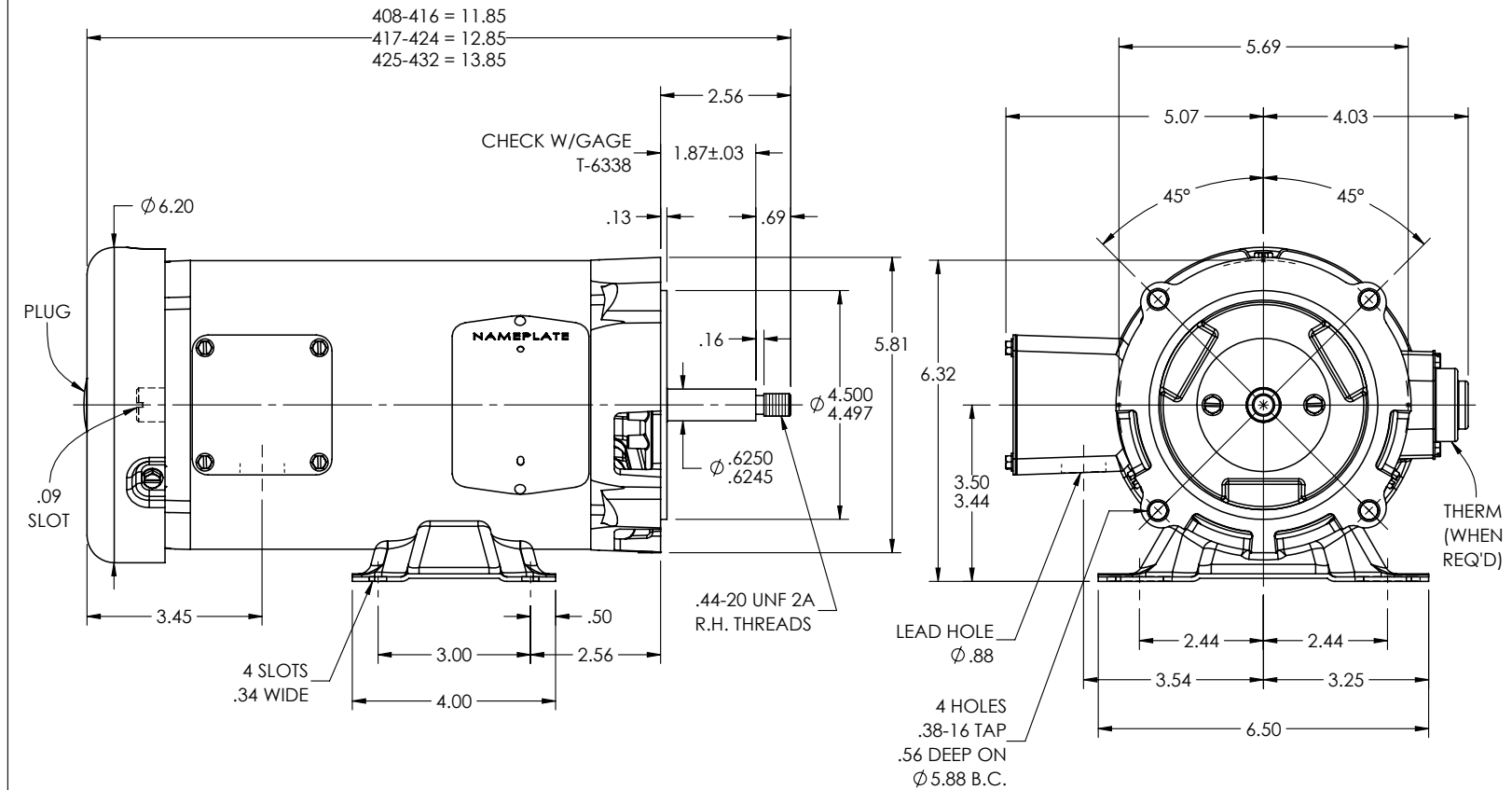
Typical performance - not guaranteed values.

TORQUES (LB-FT): PO=3.5 PU=2.13 LR=2.72 LRA=3.93



9/12/2024 ACPERF, record # 85527

34LY5066



CUSTOMER IS RESPONSIBLE FOR DETERMINING THAT THE PRODUCT WILL PERFORM SUITABLY IN THE INTENDED APPLICATION

REV. DESC: CHANGE THE BAND "BA" DIM BACK TO 2.56			
REV: G	VERSION: 04	REVISED: 03:27:27 07/19/2023	TDR: 000001212903
99051713		MODEL NO. 34LY5066	REF: -
		BY: ENJEFD0	

BALDOR - RELIANCE®

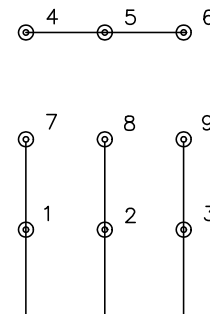
SPL HORZ MODEL 34M NEMA 56J OPEN W/DRIP COVER

34LY5066

CD0005



LOW VOLTAGE
(2Y)



LINE

HIGH VOLTAGE
(1Y)



LINE

NOTES:

1. INTERCHANGE ANY TWO LINE LEADS TO REVERSE ROTATION.
2. OPTIONAL THERMOSTATS ARE PROVIDED WHEN SPECIFIED.
3. ACTUAL NUMBER OF INTERNAL PARALLEL CIRCUITS MAY BE A MULTIPLE OF THOSE SHOWN ABOVE.
4. LEAD COLORS ARE OPTIONAL. LEADS MUST ALWAYS BE NUMBERED AS SHOWN.

CD0005

REV. DESC: REVISE TO SHOW OPTIONAL COLORS			
REV. LTR: E	BY: JLP	REVISED: 01/19/99 10:15	TDR: 0171435
S00000		FILE: AAA00005140	MDL: -
		MTL: -	

BALDOR ELECTRIC Co.

3PH, DV, 9 LEADS