

# ABB BALDOR RELIANCE III

---

## Customer information packet

### CJL3507A

.75HP, 1725RPM, 1PH, 60HZ, 56J, 3428LC, TEFC, F

Class - None

Division - Not Applicable

**Specifications**

<b>Enclosure</b>	TEFC
<b>Frame</b>	56J
<b>Frame Material</b>	Steel
<b>Frequency</b>	60.00 Hz
<b>Haz Area Class and Group</b>	None
<b>Haz Area Division</b>	Not Applicable
<b>Motor Letter Type</b>	Cap Start, Cap Run
<b>Output @ Frequency</b>	.750 HP @ 60 HZ
<b>Phase</b>	1
<b>Synchronous Speed @ Frequency</b>	1800 RPM @ 60 HZ
<b>Voltage @ Frequency</b>	115.0 V @ 60 HZ 230.0 V @ 60 HZ
<b>Agency Approvals</b>	CSA UR
<b>Ambient Temperature</b>	40 °C
<b>Auxiliary Box</b>	NO AUXILLARY BOX
<b>Auxiliary Box Lead Termination</b>	None
<b>Base Indicator</b>	Rigid
<b>Bearing Grease Type</b>	Polyrex EM (-20F +300F)
<b>Blower</b>	None
<b>Current @ Voltage</b>	8.200 A @ 115.0 V 5.400 A @ 208.0 V 4.100 A @ 230.0 V
<b>Design Code</b>	N
<b>Drip Cover</b>	No Drip Cover
<b>Duty Rating</b>	CONT
<b>Efficiency @ 100% Load</b>	74.0 %
<b>Electrically Isolated Bearing</b>	Not Electrically Isolated
<b>Feedback Device</b>	NO FEEDBACK
<b>Front Face Code</b>	Standard
<b>Front Shaft Indicator</b>	None
<b>Heater Indicator</b>	No Heater

**Part Detail**

<b>Revision</b>	H
<b>Type</b>	AC
<b>Mech. spec.</b>	34M631
<b>Base</b>	
<b>Status</b>	PRD/A
<b>Elec. spec.</b>	34WGW998
<b>Layout</b>	34LYM631
<b>Eff. date</b>	10-28-2024
<b>CD Diagram</b>	CD0308
<b>Poles</b>	04
<b>Leads</b>	4#18,1#16 #4TH
<b>Proprietary</b>	False
<b>Created date</b>	03-17-2015

High Voltage Full Load Amps	4.1 a
Insulation Class	B
Inverter Code	Not Inverter
KVA Code	L
Lifting Lugs	No Lifting Lugs
Locked Bearing Indicator	Locked Bearing
Motor Lead Exit	Ko Box
Motor Lead Quantity/Wire Size	4 @ 18 AWG
Motor Lead Termination	Flying Leads
Motor Standards	NEMA
Motor Type	3428LC
Mounting Arrangement	F1
Number of Poles	4
Overall Length	12.97 IN
Power Factor	80
Product Family	General Purpose
Pulley End Bearing Type	Ball
Pulley Face Code	C-Face
Pulley Shaft Indicator	Ext Thread
Rodent Screen	None
Service Factor	1.25
Shaft Diameter	0.625 IN
Shaft Extension Location	Pulley End
Shaft Ground Indicator	No Shaft Grounding
Shaft Rotation	Fixed Opposite Standard
Shaft Slinger Indicator	No Slinger
Speed	1725 rpm
Speed Code	Single Speed
Starting Method	Direct on line
Thermal Device - Bearing	None
Thermal Device - Winding	None
Vibration Sensor Indicator	No Vibration Sensor
Winding Thermal 1	Automatic Thermal Overload
Winding Thermal 1 Location	SB

**Nameplate**

<b>NP1257L</b>	
<b>CAT.NO.</b>	CJL3507A
<b>SPEC.</b>	34M631W998
<b>HP</b>	.75
<b>VOLTS</b>	115/230
<b>AMP</b>	8.2/4.1
<b>RPM</b>	1725
<b>FRAME</b>	56J <b>HZ</b> 60 <b>PH</b> 1
<b>SER.F.</b>	1.25 <b>CODE</b> L <b>DES</b> N <b>CL</b> B
<b>NEMA-NOM-EFF</b>	74 <b>PF</b> 80
<b>RATING</b>	40C AMB-CONT
<b>CC</b>	
<b>DE</b>	6203 <b>ODE</b> 6203
<b>ENCL</b>	TEFC <b>SN</b>
	SFA 9.8/4.9

**Accessories**

<b>Part number</b>	<b>Description</b>	<b>Multiplier</b>
34-171	C FACE KIT	A8

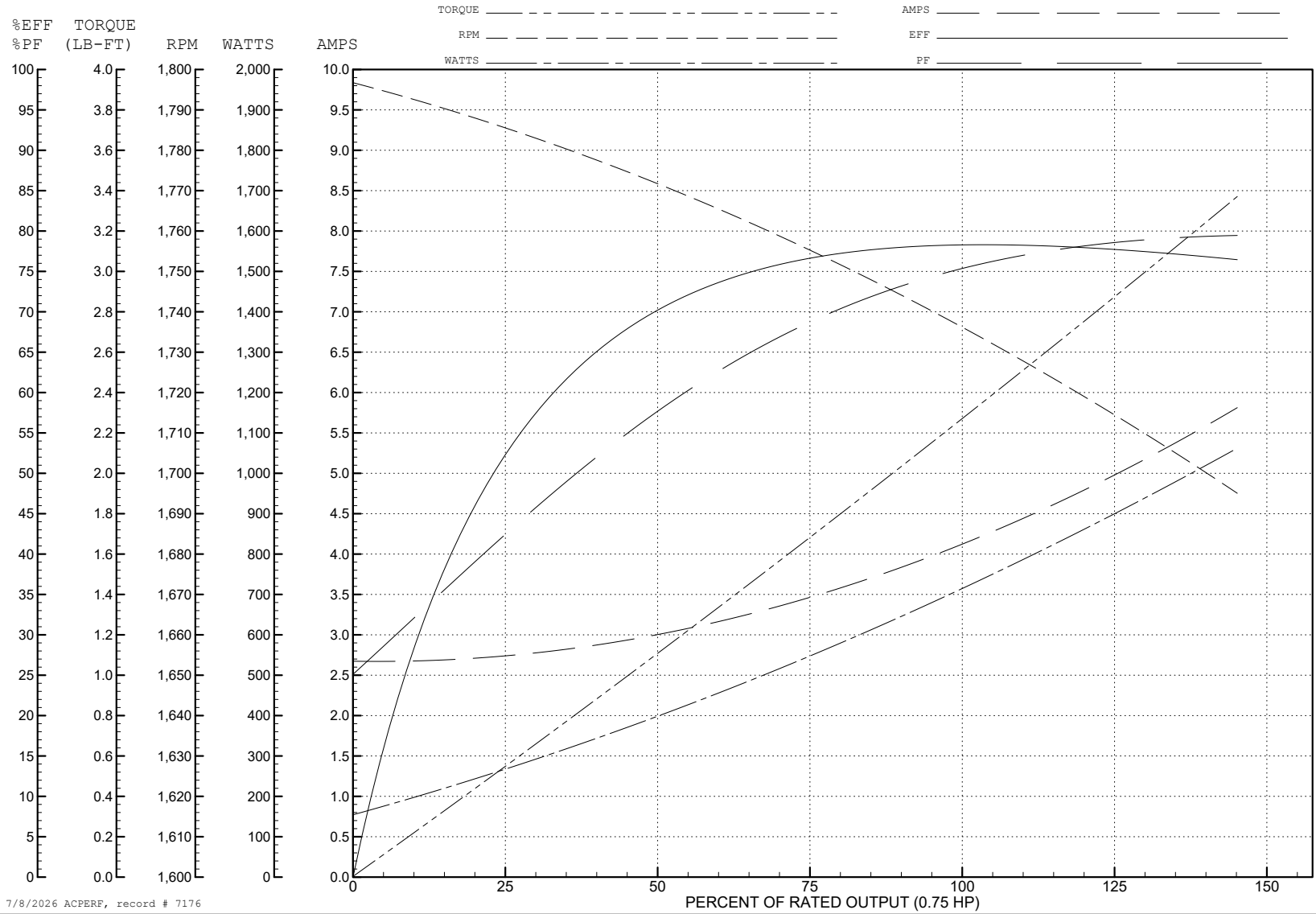
ABB Motors and Mechanical Inc.

WINDING # 34WGW998

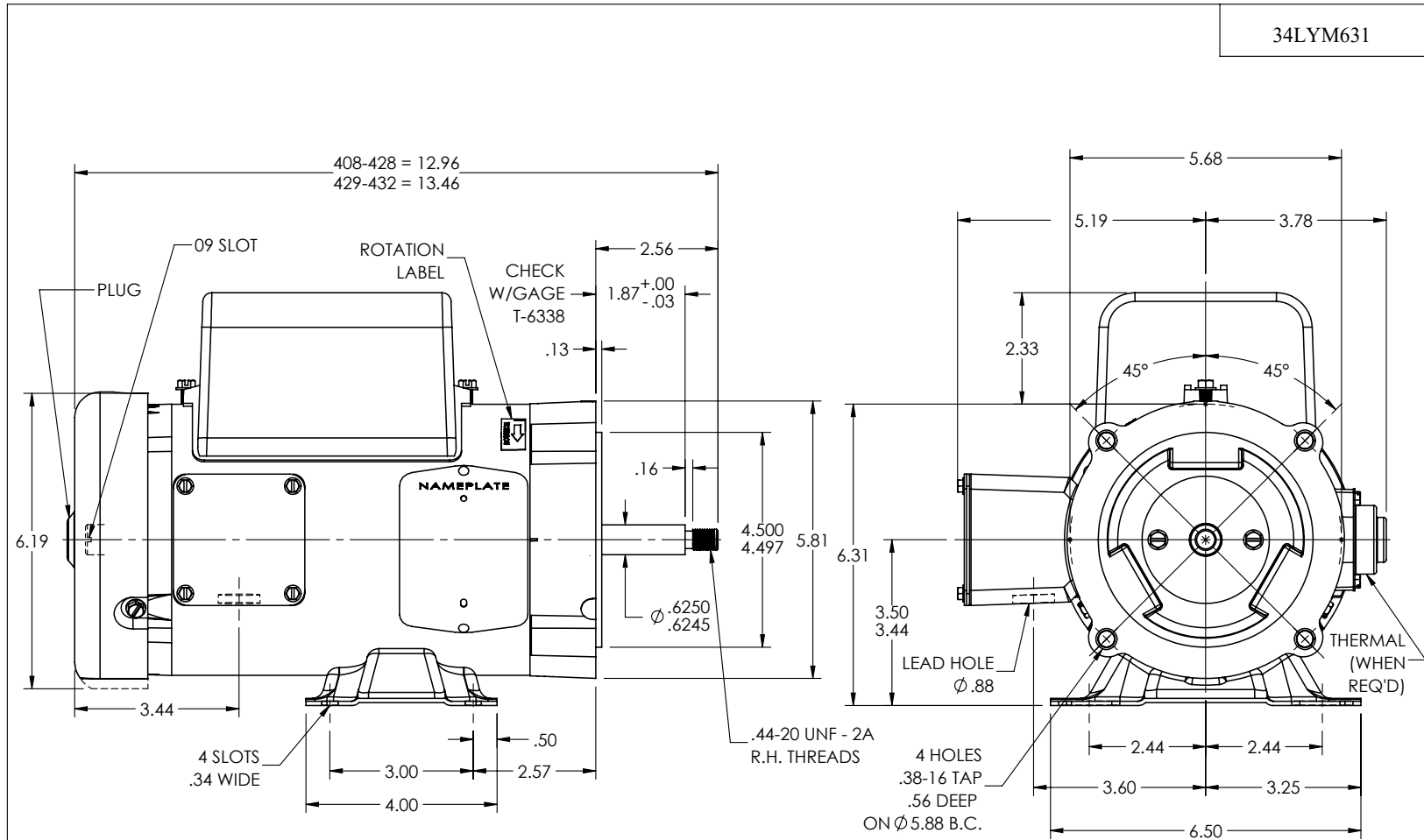
0.75 HP 1 PH 60 HZ 1725 RPM 230 V 3428LC

Typical performance - not guaranteed values.

TORQUES (LB-FT): PO=5.7 PU=4.7 LR=7.5 LRA=31



7/8/2026 ACPERF, record # 7176



CUSTOMER IS RESPONSIBLE FOR DETERMINING THAT THE PRODUCT WILL PERFORM SUITABLY IN THE INTENDED APPLICATION

REV. DESC: LOAD TO SOLIDWORKS - REV "-"

REV: A	VERSION: 01	REVISED: 08:25:20 12/21/2022	TDR: 000001201165
--------	-------------	------------------------------	-------------------

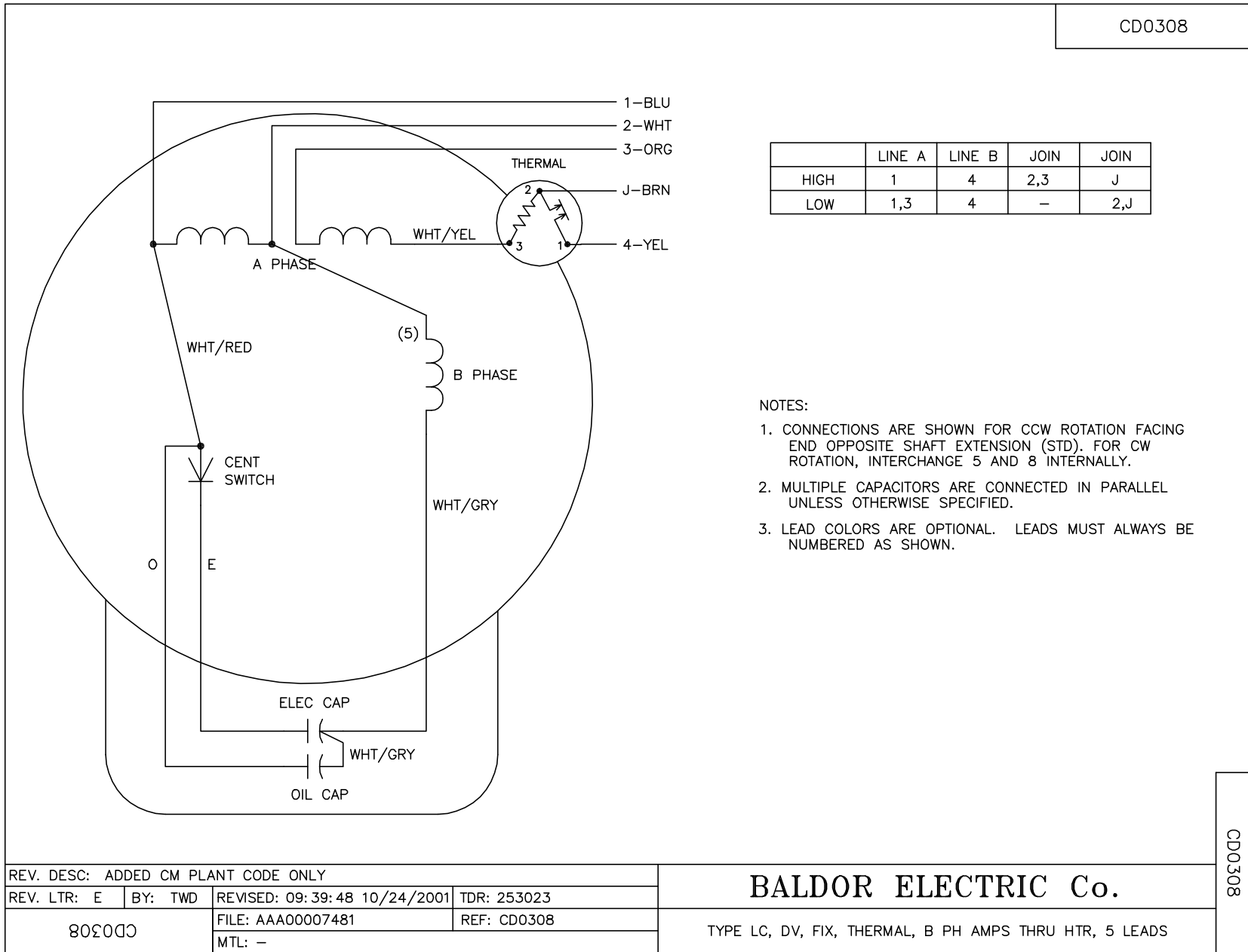
34LYM631	MODEL NO. 34LYM631	REF: -
	BY: ENFRAJ0	

**BALDOR - RELIANCE®**

SPL HORZ 34LC NEMA 56J TEFC W/SPL STACK LGTHS.

34LYM631

CD0308



	LINE A	LINE B	JOIN	JOIN
HIGH	1	4	2,3	J
LOW	1,3	4	-	2,J

**NOTES:**

1. CONNECTIONS ARE SHOWN FOR CCW ROTATION FACING END OPPOSITE SHAFT EXTENSION (STD). FOR CW ROTATION, INTERCHANGE 5 AND 8 INTERNALLY.
2. MULTIPLE CAPACITORS ARE CONNECTED IN PARALLEL UNLESS OTHERWISE SPECIFIED.
3. LEAD COLORS ARE OPTIONAL. LEADS MUST ALWAYS BE NUMBERED AS SHOWN.

REV. DESC: ADDED CM PLANT CODE ONLY			
REV. LTR: E	BY: TWD	REVISED: 09:39:48 10/24/2001	TDR: 253023
803000		FILE: AAA00007481	REF: CD0308
		MTL: -	

**BALDOR ELECTRIC Co.**

TYPE LC, DV, FIX, THERMAL, B PH AMPS THRU HTR, 5 LEADS

CD0308