

**BALDOR • RELIANCE**

---

# Customer information packet

## CJL1304A

.5HP, 1725RPM, 1PH, 60HZ, 56J, 3418L, OPEN, F1

Class - None

Division - Not Applicable

## Specifications

Enclosure	OPEN
Frame	56J
Frame Material	Steel
Frequency	60.00 Hz
Haz Area Class and Group	None
Haz Area Division	Not Applicable
Motor Letter Type	Cap Start, Induction Run
Output @ Frequency	.500 HP @ 60 HZ
Phase	1
Synchronous Speed @ Frequency	1800 RPM @ 60 HZ
Voltage @ Frequency	115.0 V @ 60 HZ 230.0 V @ 60 HZ
Agency Approvals	UR CSA
Ambient Temperature	40 °C
Auxillary Box	No Auxillary Box
Auxillary Box Lead Termination	None
Base Indicator	Rigid
Bearing Grease Type	Polyrex EM (-20F +300F)
Blower	None
Current @ Voltage	4.200 A @ 230.0 V 4.800 A @ 208.0 V 8.400 A @ 115.0 V
Design Code	N
Drip Cover	Drip Cover
Duty Rating	CONT
Efficiency @ 100% Load	62.0 %
Electrically Isolated Bearing	Not Electrically Isolated
Feedback Device	NO FEEDBACK
Front Face Code	Terminal Panel
Front Shaft Indicator	None
Heater Indicator	No Heater

## Part detail

Revision	AJ
Type	AC
Mech. spec.	34F030
Base	
Status	PRD/A
Elec. spec.	34WG5595
Layout	34LYF030
Eff. date	12-31-2024
CD Diagram	CD0307
Poles	04
Leads	5#18,1#16 #1TH
Proprietary	False
Created date	01-01-0001

High Voltage Full Load Amps	4.2 a
Insulation Class	B
Inverter Code	Not Inverter
KVA Code	K
Lifting Lugs	No Lifting Lugs
Locked Bearing Indicator	Locked Bearing
Motor Lead Exit	Terminal Panel Or Lead Hole
Motor Lead Quantity/Wire Size	5 @ 18 AWG
Motor Lead Termination	Flying Leads
Motor Standards	NEMA
Motor Type	3418L
Mounting Arrangement	F1
Number of Poles	4
Overall Length	12.14 IN
Power Factor	62
Product Family	General Purpose
Pulley End Bearing Type	Ball
Pulley Face Code	C-Face
Pulley Shaft Indicator	Ext Thread
Rodent Screen	None
RoHS Status	ROHS COMPLIANT
Service Factor	1.25
Shaft Diameter	0.625 IN
Shaft Extension Location	Pulley End
Shaft Ground Indicator	No Shaft Grounding
Shaft Rotation	Fixed Opposite Standard
Shaft Slinger Indicator	No Slinger
Speed	1725 rpm
Speed Code	Single Speed
Starting Method	Direct on line
Thermal Device - Bearing	None
Thermal Device - Winding	None
Vibration Sensor Indicator	No Vibration Sensor
Winding Thermal 1	Automatic Thermal Overload

**Winding Thermal 1 Location**

**SB**

---

**Nameplate**

<b>NP1257L</b>									
<b>CAT.NO.</b>	CJL1304A								
<b>SPEC.</b>	34F30-5595								
<b>HP</b>	.5								
<b>VOLTS</b>	115/230								
<b>AMP</b>	8.4/4.2								
<b>RPM</b>	1725								
<b>FRAME</b>	56J		<b>HZ</b>	60		<b>PH</b>	1		
<b>SER.F.</b>	1.25	<b>CODE</b>	K	<b>DES</b>	N	<b>CL</b>	B		
<b>NEMA-NOM-EFF</b>	62	<b>PF</b>	62						
<b>RATING</b>	40C AMB-CONT								
<b>CC</b>									
<b>DE</b>	6203	<b>ODE</b>	6203						
<b>ENCL</b>	OPEN	<b>SN</b>							
	SFA 9.2/4.6								

**AC Induction Motor Performance Data**

Record # 6782

Typical performance - not guaranteed values

Winding: 34WG5595-R001		Type: 3418L	Enclosure: OPEN
<b>Nameplate Data</b>		<b>230 V, 60 Hz: High Voltage Connection</b>	
Rated Output (HP)	.5	Full Load Torque	1.5 LB-FT
Volts	115/230	Start Configuration	direct on line
Full Load Amps	8.4/4.2	Breakdown Torque	4.35 LB-FT
R.P.M.	1725	Pull-up Torque	3.75 LB-FT
Hz	60 Phase	Locked-rotor Torque	5.03 LB-FT
NEMA Design Code	N KVA Code	Starting Current	18 A
Service Factor (S.F.)	1.25	No-load Current	3.4 A
NEMA Nom. Eff.	62 Power Factor	Line-line Res. @ 25°C	4.24 Ω A Ph 3.24 Ω B Ph
Rating - Duty	40C AMB-CONT	Temp. Rise @ Rated Load	66°C
S.F. Amps	9.2/4.6	Temp. Rise @ S.F. Load	78°C

**Load Characteristics 230 V, 60 Hz, 0.5 HP**

% of Rated Load	25	50	75	100	125	150	S.F.
Power Factor	30	42	53	62	69	77	69
Efficiency	36	52	60	64	65	65	65
Speed	1780	1765	1750	1730	1711	1685	1711
Line amperes	3.45	3.6	3.85	4.2	4.6	5.2	4.6

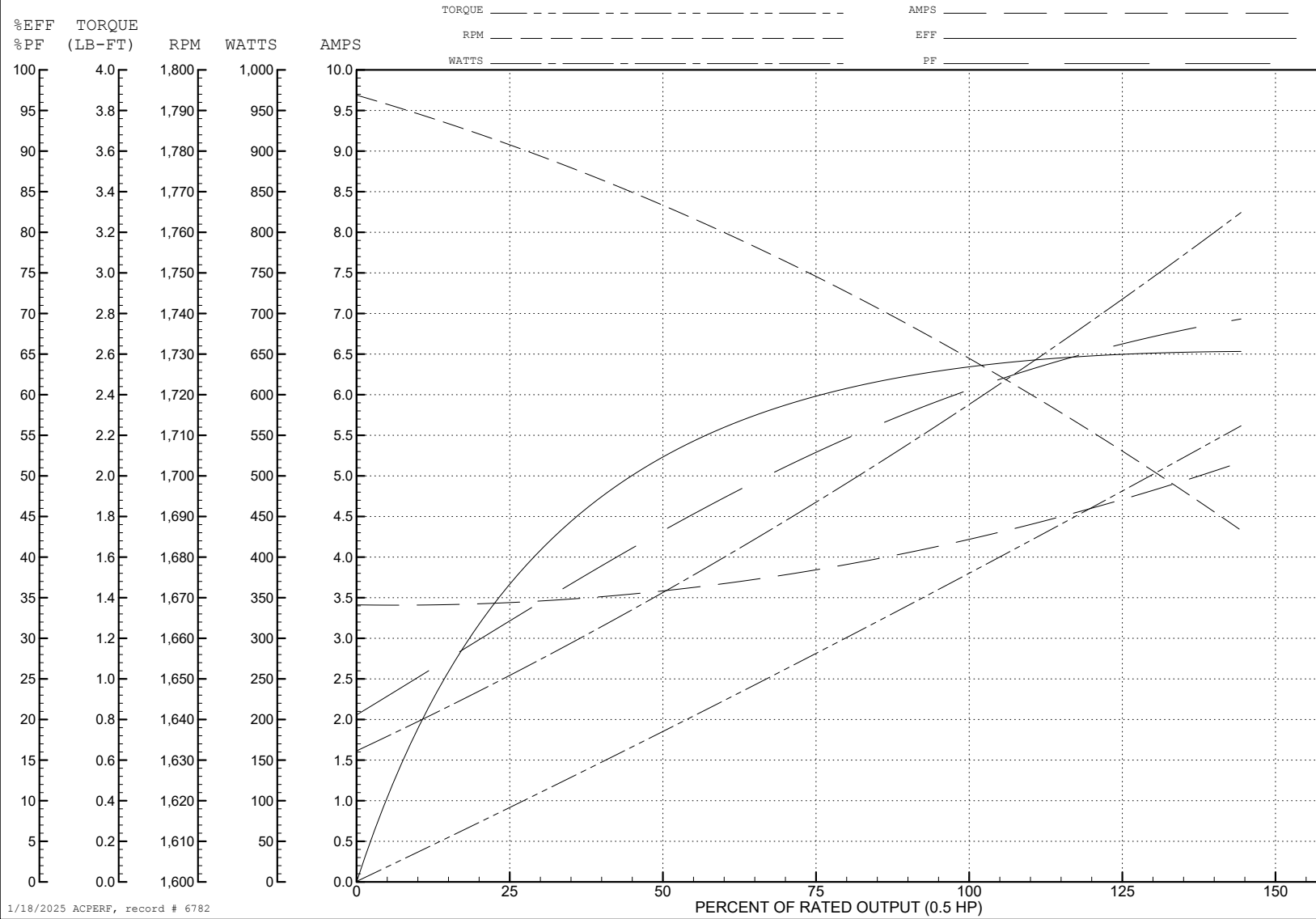
ABB Motors and Mechanical Inc.

WINDING # 34WG5595

Typical performance - not guaranteed values.

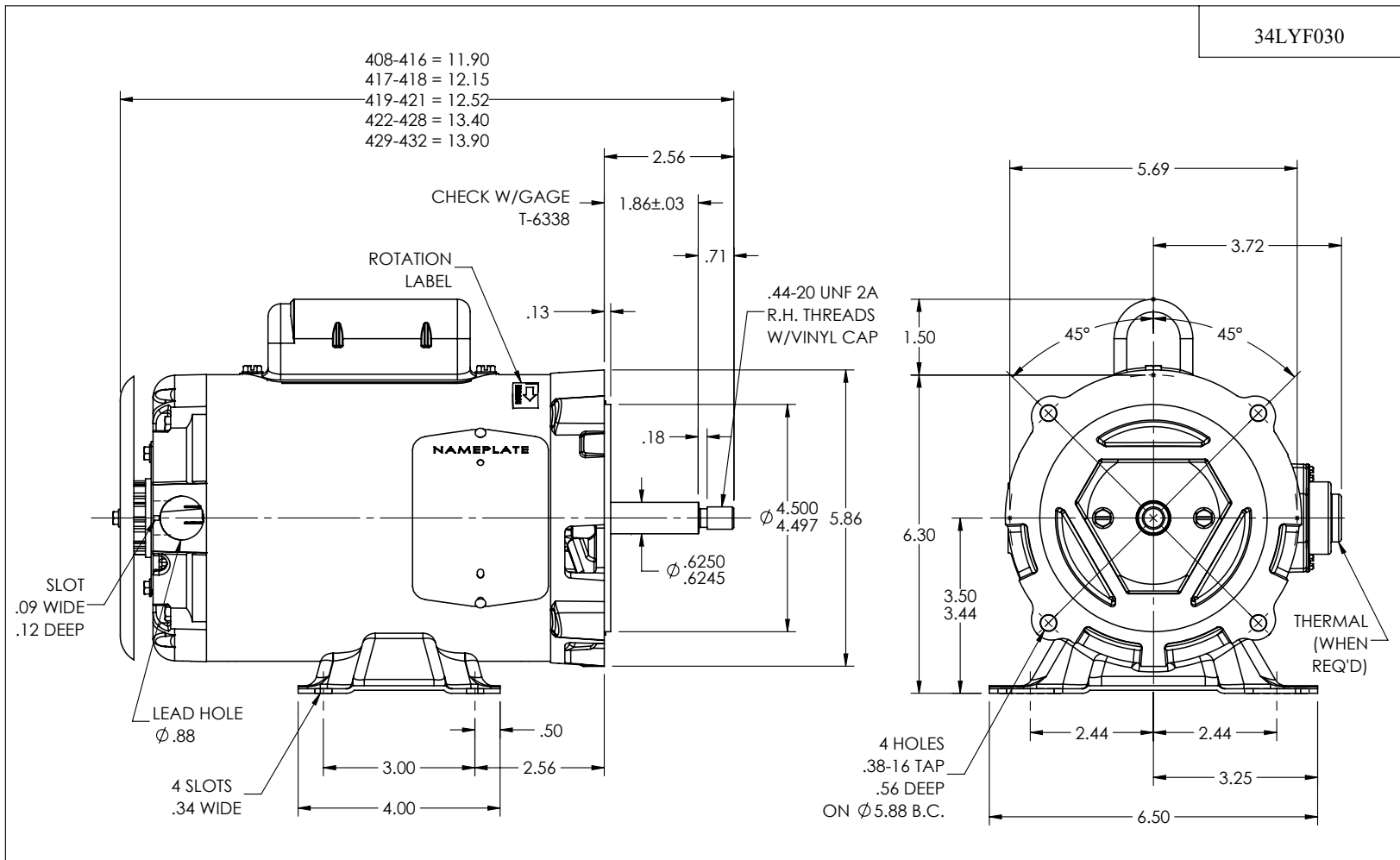
0.5 HP 1 PH 60 HZ 1725 RPM 230 V 3418L

TORQUES (LB-FT): PO=4.35 PU=3.75 LR=5.03 LRA=18



1/18/2025 ACPERF, record # 6782

34LYF030



CUSTOMER IS RESPONSIBLE FOR DETERMINING THAT THE PRODUCT WILL PERFORM SUITABLY IN THE INTENDED APPLICATION

REV. DESC: LOAD TO SOLIDWORKS - REV F			
REV: G	VERSION: 02	REVISED: 09:33:52 04/17/2023	TDR: 000001201165
MODEL NO. 34LYF030		REF: -	
BY: ENFRAJ0			

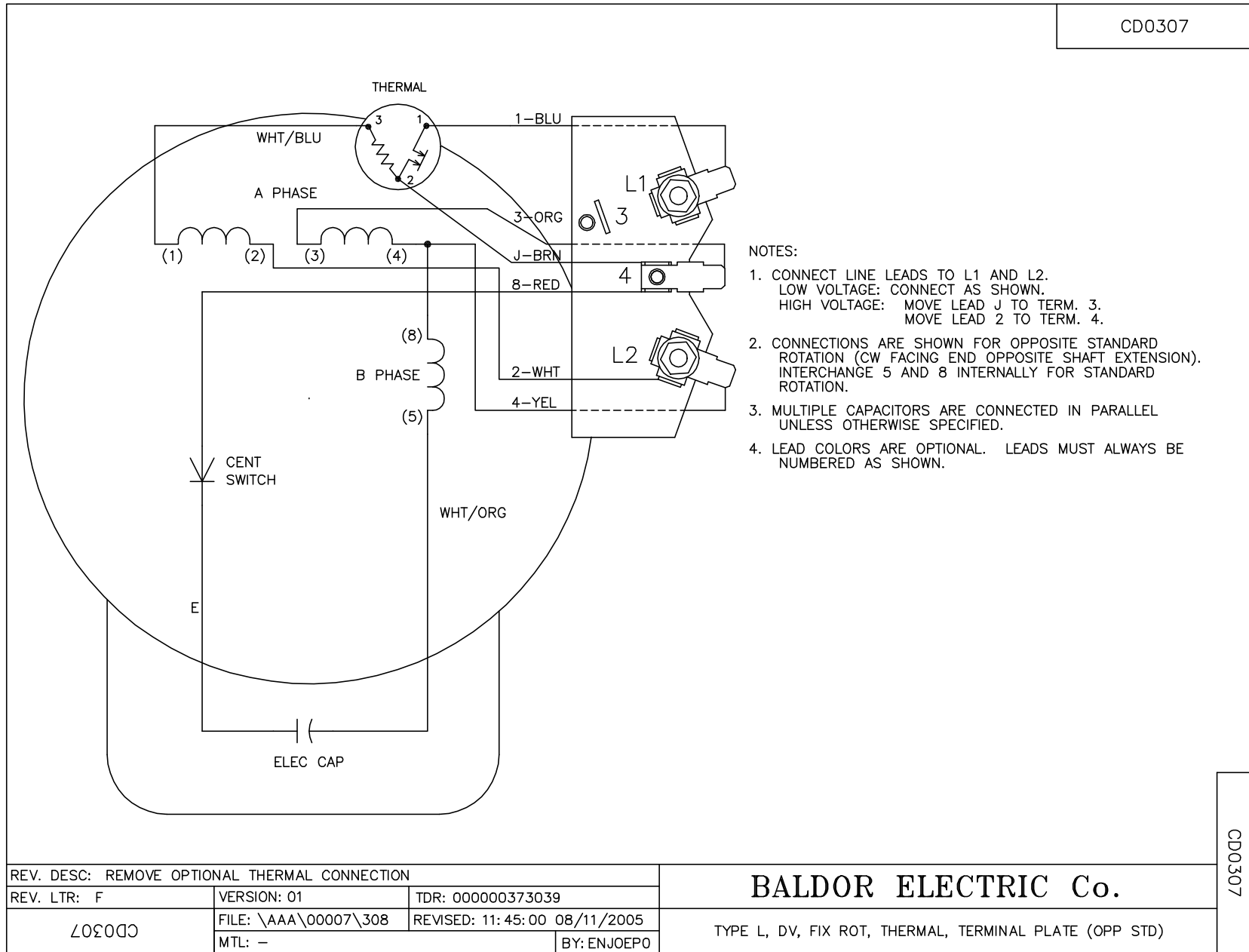
**BALDOR - RELIANCE®**

STD HORZ MODEL 34L NEMA 56J OPEN W/DRIPCOVER & TERM PLATE

34LYF030



CD0307



REV. DESC: REMOVE OPTIONAL THERMAL CONNECTION		
REV. LTR: F	VERSION: 01	TDR: 000000373039
∟0307	FILE: \AAA\00007\308	REVISED: 11:45:00 08/11/2005
	MTL: -	BY: ENJOEPO

**BALDOR ELECTRIC Co.**

TYPE L, DV, FIX ROT, THERMAL, TERMINAL PLATE (OPP STD)

CD0307