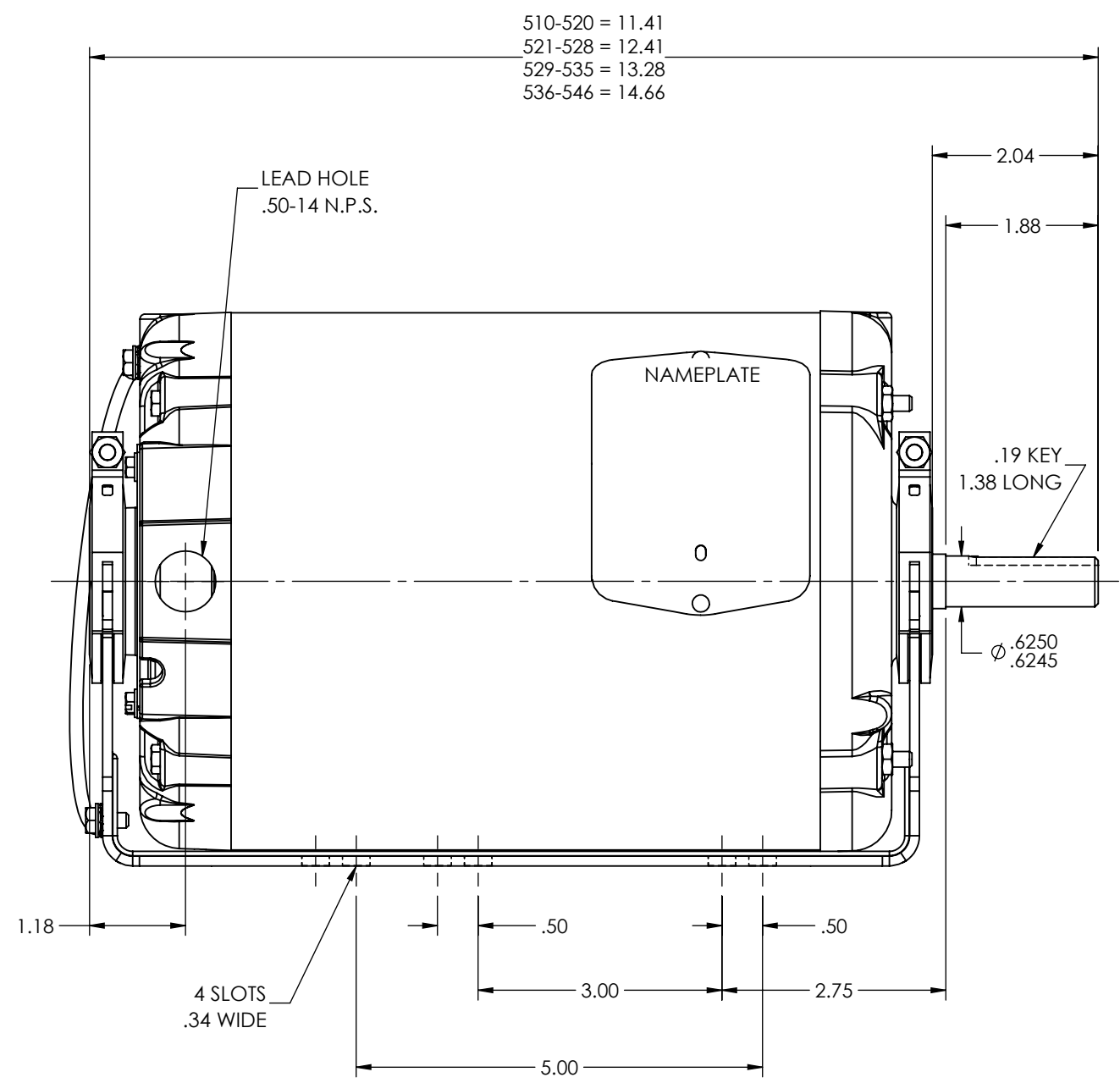
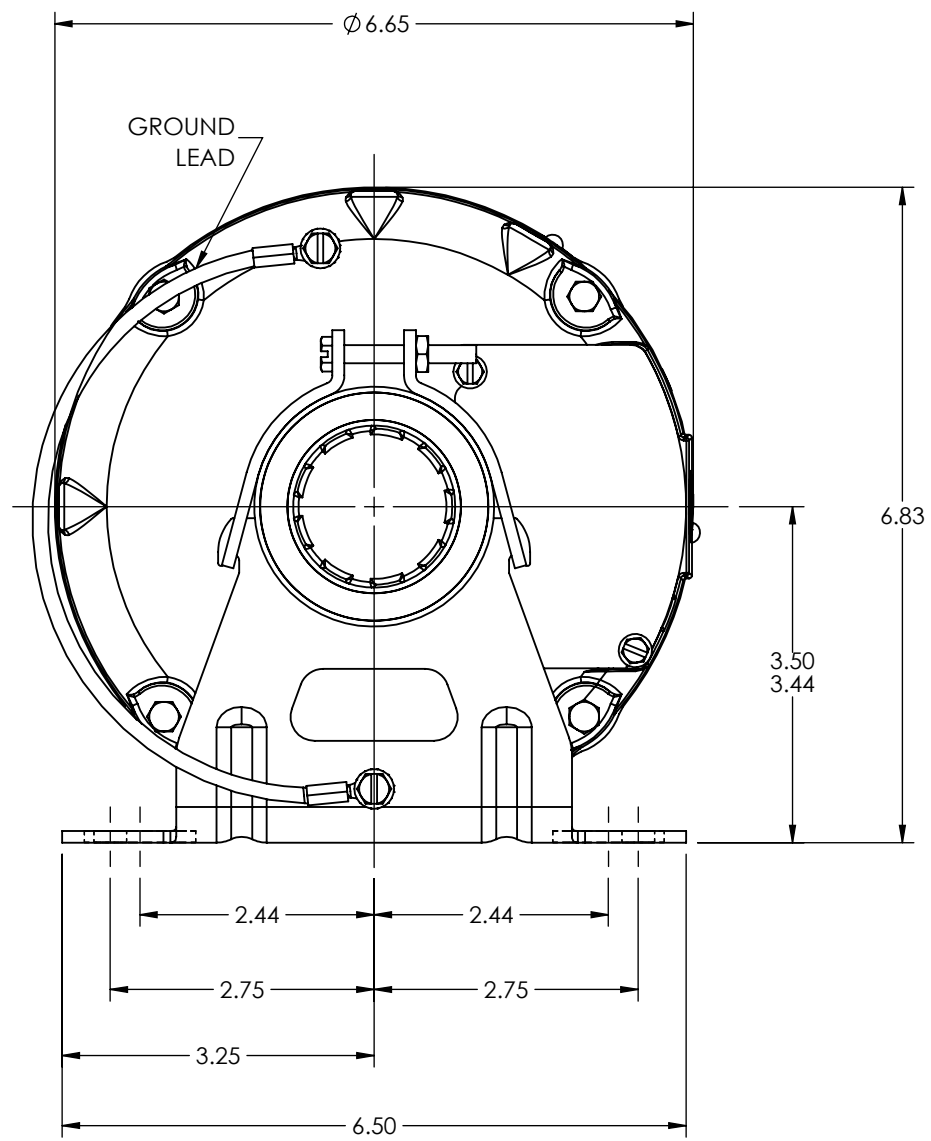


8 7 6 5 4 3 2 1

35LYX463



CUSTOMER IS RESPONSIBLE FOR DETERMINING THAT THE PRODUCT WILL PERFORM SUITABLY IN THE INTENDED APPLICATION

REV. DESC: LOADING OF INOPC SWD MODEL & DRAWING FOR PKG 30			
REV: A	VERSION: 01	REVISED: 01:08:33 07/18/2019	TDR: 000001114686
MODEL NO. 35LYX463		REF: -	
BY: ENALEM0			<b>B</b>

**BALDOR - RELIANCE®**

RESIL 56 TEAO 35M W/TERM PANEL .50-14 N.P.S.  
SH 1 of 1

35LYX463

8 7 6 5 4 3 2 1