



Customer information packet

CHM364A

.5HP, 1140RPM, 3PH, 60HZ, 48YZ, 3418M, TEAO, F1

Class - None

Division - Not Applicable

Specifications

Enclosure	TEAO
Frame	48YZ
Frame Material	Steel
Frequency	60.00 Hz
Motor Letter Type	Three Phase
Output @ Frequency	.500 HP @ 60 HZ
Phase	3
Synchronous Speed @ Frequency	1200 RPM @ 60 HZ
Voltage @ Frequency	230.0 V @ 60 HZ 460.0 V @ 60 HZ
XP Class and Group	None
XP Division	Not Applicable
Agency Approvals	UR CSA
Ambient Temperature	40 °C
Auxillary Box	No Auxillary Box
Auxillary Box Lead Termination	None
Base Indicator	Resilient
Bearing Grease Type	Polyrex EM (-20F +300F)
Blower	None
Current @ Voltage	1.200 A @ 460.0 V 2.400 A @ 230.0 V 2.700 A @ 208.0 V
Design Code	B
Drip Cover	No Drip Cover
Duty Rating	CONT
Efficiency @ 100% Load	72.0 %
Electrically Isolated Bearing	Not Electrically Isolated
Feedback Device	NO FEEDBACK
Front Face Code	Resilient Mount
Front Shaft Indicator	None
Heater Indicator	No Heater

Part detail

Revision	K
Type	AC
Mech. spec.	34M250
Base	
Status	PRD/A
Elec. spec.	34WGW529
Layout	34LYM250
Eff. date	04-23-2021
CD Diagram	CD0007
Poles	06
Leads	12#18
Proprietary	False
Created date	05-24-2013

High Voltage Full Load Amps	1.2 a
Insulation Class	B
Inverter Code	Not Inverter
KVA Code	J
Lifting Lugs	No Lifting Lugs
Locked Bearing Indicator	No Locked Bearing
Motor Lead Exit	Terminal Panel Or Lead Hole
Motor Lead Quantity/Wire Size	12 @ 18 AWG
Motor Lead Termination	Flying Leads
Motor Standards	NEMA
Motor Type	3418M
Mounting Arrangement	F1
Number of Poles	6
Overall Length	11.96 IN
Power Factor	55
Product Family	General Purpose
Pulley End Bearing Type	Ball
Pulley Face Code	Resilient Mount
Pulley Shaft Indicator	Standard
Rodent Screen	None
RoHS Status	ROHS COMPLIANT
Service Factor	1.25
Shaft Diameter	0.500 IN
Shaft Extension Location	Pulley End
Shaft Ground Indicator	No Shaft Grounding
Shaft Rotation	Reversible
Shaft Slinger Indicator	No Slinger
Speed	1140 rpm
Speed Code	Single Speed
Starting Method	Direct on line
Thermal Device - Bearing	None
Thermal Device - Winding	None
Vibration Sensor Indicator	No Vibration Sensor
Winding Thermal 1	Automatic Thermal Overload

Winding Thermal 1 Location

SB

Nameplate

NP1257L									
CAT.NO.	CHM364A								
SPEC.	34M250W529G1								
HP	.5								
VOLTS	230/460								
AMP	2.4/1.2								
RPM	1140								
FRAME	48YZ			HZ	60		PH	3	
SER.F.	1.25	CODE	J	DES	B	CL	B		
NEMA-NOM-EFF	72	PF	55						
RATING	40C AMB-CONT								
CC				USABLE AT 208V	2.7				
DE	6203	ODE	6203						
ENCL	TEAO	SN							
	SFA 2.6/1.3								

AC Induction Motor Performance Data

Record # 42100

Typical performance - not guaranteed values

Winding: 34WGW529-R006		Type: 3418M		Enclosure: TEAO	
Nameplate Data			460 V, 60 Hz: High Voltage Connection		
Rated Output (HP)	.5	Full Load Torque	2.3 LB-FT		
Volts	230/460	Start Configuration	direct on line		
Full Load Amps	2.4/1.2	Breakdown Torque	7.7 LB-FT		
R.P.M.	1140	Pull-up Torque	6 LB-FT		
Hz	60 Phase	3	Locked-rotor Torque	6.2 LB-FT	
NEMA Design Code	B KVA Code	J	Starting Current	5 A	
Service Factor (S.F.)		1.25	No-load Current	0.95 A	
NEMA Nom. Eff.	72 Power Factor	55	Line-line Res. @ 25°C	39.6 Ω	
Rating - Duty	40C AMB-CONT		Temp. Rise @ Rated Load		
S.F. Amps	2.6/1.3		Temp. Rise @ S.F. Load		
			Locked-rotor Power Factor	63	
			Rotor inertia	0.0428 LB-FT ²	

Load Characteristics 460 V, 60 Hz, 0.5 HP

% of Rated Load	25	50	75	100	125	150	S.F.
Power Factor	20	34	45	55	62	68	62
Efficiency	48	63	67	72	72	71	72
Speed	1185	1170	1155	1140	1120	1100	1120
Line amperes	0.95	1	1.1	1.2	1.3	1.5	1.3

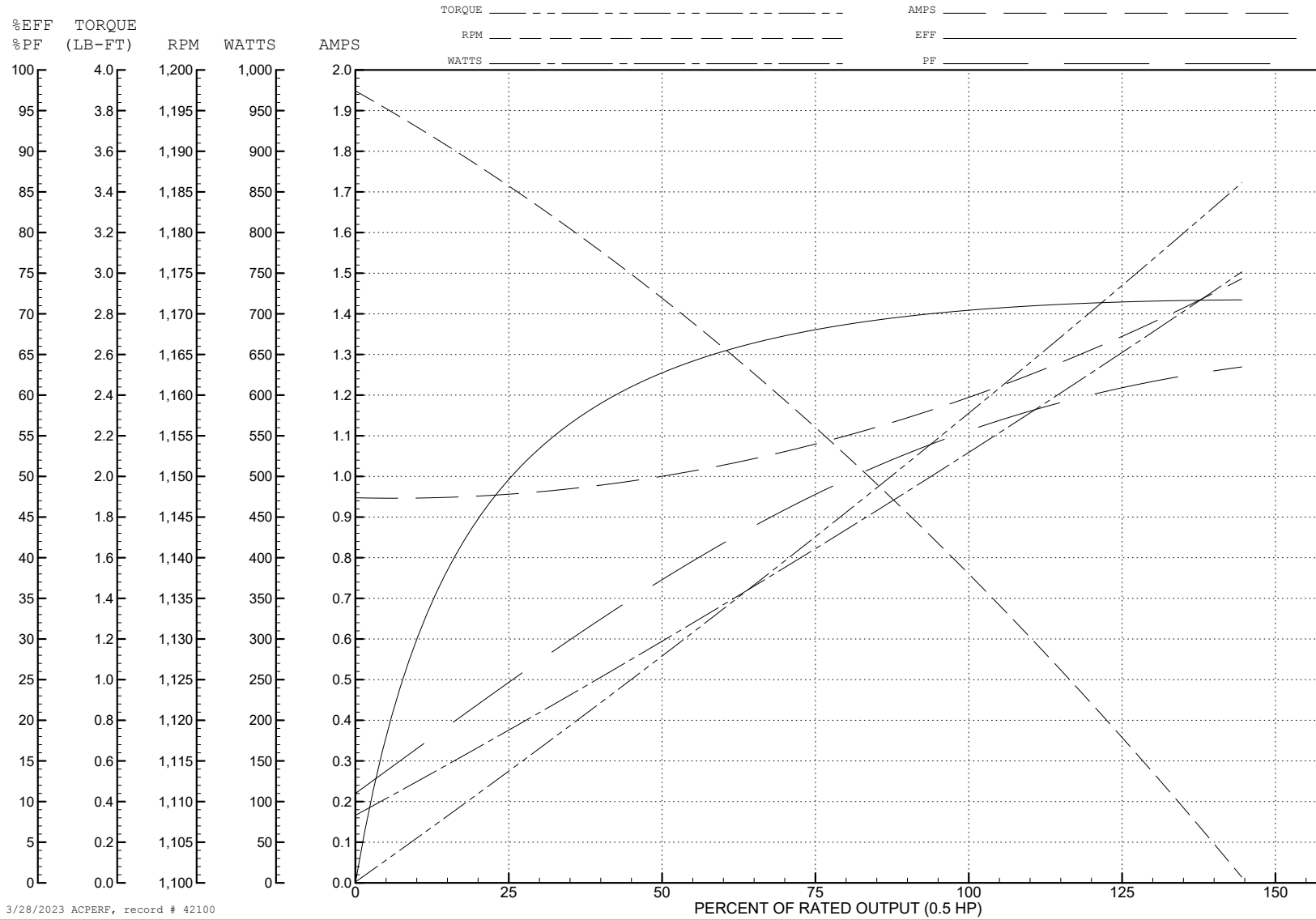
ABB Motors and Mechanical Inc.

WINDING # 34WG529

0.5 HP 3 PH 60 HZ 1140 RPM 460 V 3418M

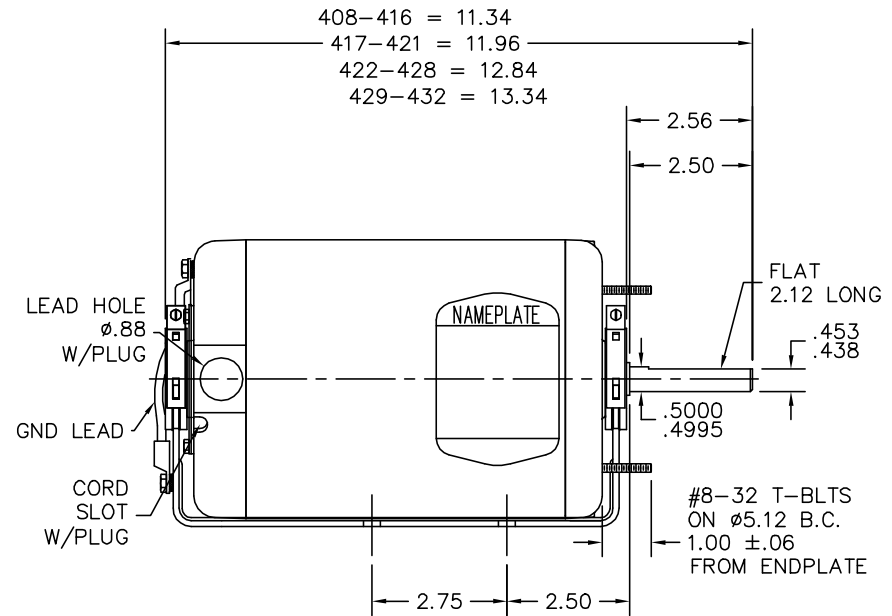
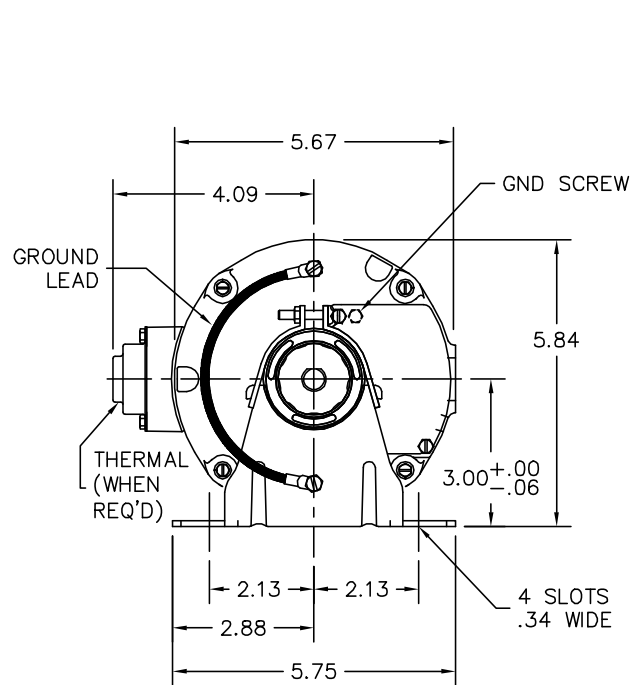
Typical performance - not guaranteed values.

TORQUES (LB-FT): PO=7.7 PU=6 L_R=6.2 L_{RA}=5



3/28/2023 ACPERF, record # 42100

34LYM250



CUSTOMER IS RESPONSIBLE FOR DETERMINING THAT BALDOR'S PRODUCT WILL PERFORM SUITABLY IN THE INTENDED APPLICATION.

REV. DESC: CHG'D RESILIENT RING HARDWARE TO FACE THE SAME WAY		
REV. LTR: B	VERSION: 02	TDR: 000001067587
FILE: \AAA\00200\715	REVISED: 09: 22: 35 04/12/2018	BY: ENJFDO
MTL: -	©	

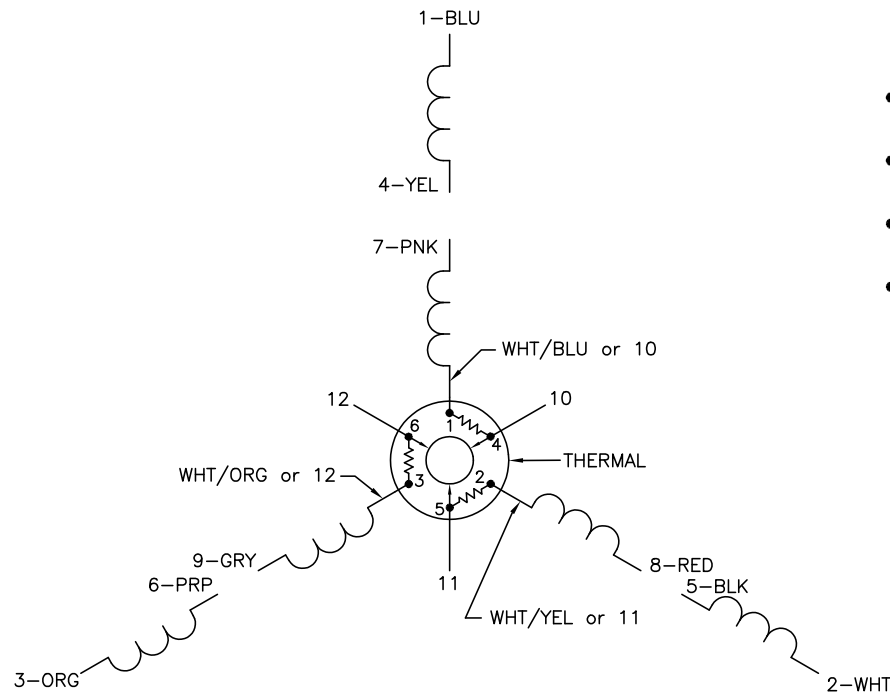
BALDOR - RELIANCE®

RESIL 34M NEMA 48YZ TEAO W/EXTENDED T-BOLTS, 5.12 B.C.

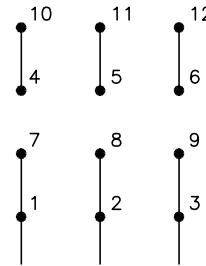
SH 1 of 1

34LYM250

CD0007

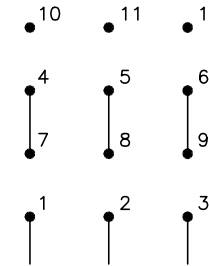


LOW VOLTAGE
(2Y)



LINE

HIGH VOLTAGE
(1Y)



LINE

NOTES:

1. INTERCHANGE ANY TWO LINE LEADS TO REVERSE ROTATION.
2. ACTUAL NUMBER OF INTERNAL PARALLEL CIRCUITS MAY VARY.
3. LEAD COLORS ARE OPTIONAL. LEADS MUST ALWAYS BE NUMBERED AS SHOWN.

CD0007

REV. DESC: ADDED "CK" PLANT CODE			
REV. LTR: E	BY: EAH	REVISED: 05/06/99 17:1	TDR: 0181040
L00000		FILE: AAA00008370	MDL: -
		MTL: -	

BALDOR ELECTRIC Co.

3PH, DV, THERMAL, 12 LEADS