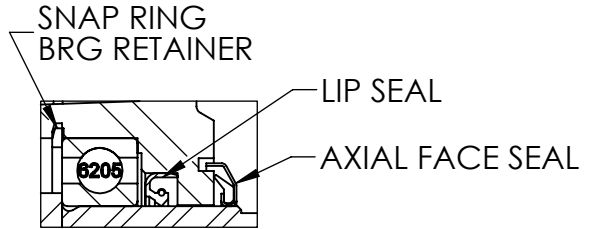
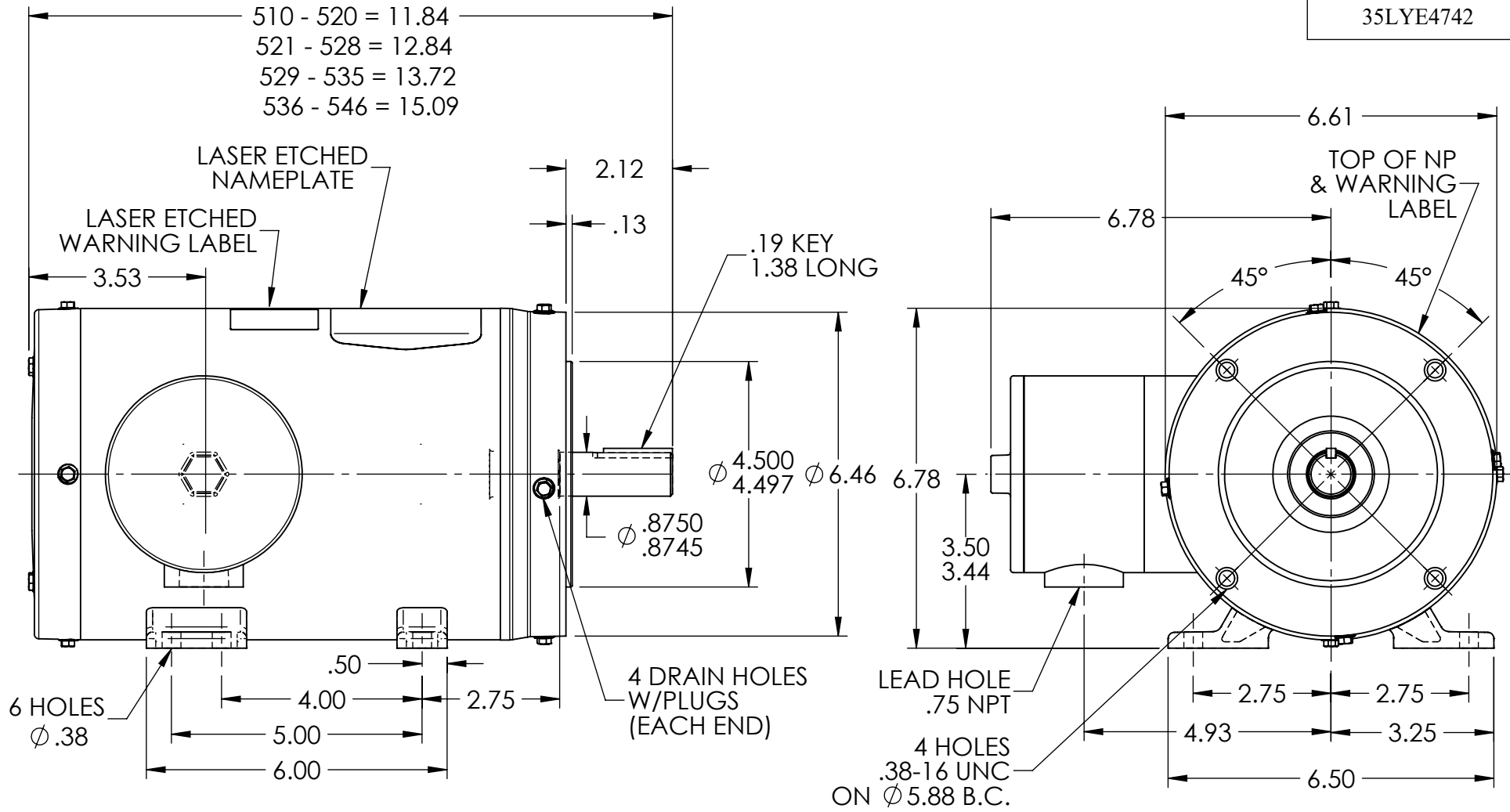


35LYE4742



PULLEY END DETAIL

CUSTOMER IS RESPONSIBLE FOR DETERMINING THAT THE PRODUCT WILL PERFORM SUITABLY IN THE INTENDED APPLICATION

REV. DESC: UPDATE LEAD HOLE TO MATCH BOM (.75 NPT)			
REV: E	VERSION: 05	REVISED: 01:28:26 04/30/2025	TDR: 000001255211
35LYE4742		MODEL NO. 35LYE4742	REF: -
		BY: ENFRAJ0	

BALDOR - RELIANCE®

STD HORZ 143/5TC TENV 35M WD11/12

35LYE4742