



Customer information packet

CFSWDNM3554T-E-G

1.5HP, 1765RPM, 3PH, 60HZ, 145TC, 3540M, TENV

Class - None

Division - Not Applicable

Specifications

Enclosure	TENV
Frame	145TC
Frame Material	Stainless Steel
Frequency	60.00 Hz
Haz Area Class and Group	None
Haz Area Division	Not Applicable
Motor Letter Type	Three Phase
Output @ Frequency	1.500 HP @ 60 HZ
Phase	3
Synchronous Speed @ Frequency	1800 RPM @ 60 HZ
Voltage @ Frequency	230.0 V @ 60 HZ 460.0 V @ 60 HZ
Agency Approvals	WEEE CURUSEEV NEMA PREMIUM
Ambient Temperature	40 °C
Auxillary Box	No Auxillary Box
Auxillary Box Lead Termination	None
Base Indicator	Rigid
Bearing Grease Type	Polyrex EM (-20F +300F)
Blower	None
Current @ Voltage	3.900 A @ 230.0 V 1.950 A @ 460.0 V
Design Code	B
Drip Cover	No Drip Cover
Duty Rating	CONT
Efficiency @ 100% Load	86.5 %
Electrically Isolated Bearing	Not Electrically Isolated
Feedback Device	NO FEEDBACK
Front Shaft Indicator	None
Heater Indicator	No Heater
High Voltage Full Load Amps	2.0 a

Part detail

Revision	-
Type	AC
Mech. spec.	35E6049
Base	
Status	PRD/A
Elec. spec.	35WGZ820
Layout	35LYE6049
Eff. date	08-14-2023
CD Diagram	CD0005
Poles	04
Leads	9#18
Proprietary	False
Created date	02-23-2023

Insulation Class	H
Inverter Code	Inverter Duty
KVA Code	M
Lifting Lugs	No Lifting Lugs
Locked Bearing Indicator	Locked Bearing
Motor Finish	UNPAINTED
Motor Lead Quantity/Wire Size	9 @ 18 AWG
Motor Lead Termination	Flying Leads
Motor Standards	NEMA
Motor Type	3540M
Mounting Arrangement	F1
Number of Poles	4
Overall Length	12.84 IN
Power Factor	72
Product Family	WD All SS Encapsulated
Pulley End Bearing Type	Sealed Bearing
Pulley Face Code	C-Face
Pulley Shaft Indicator	Standard
Rodent Screen	None
RoHS Status	ROHS COMPLIANT
Service Factor	1.15
Shaft Diameter	0.875 IN
Shaft Ground Indicator	Shaft Grounding
Shaft Rotation	Reversible
Shaft Slinger Indicator	No Slinger
Speed	1765 rpm
Speed Code	Single Speed
Starting Method	Direct on line
Thermal Device - Bearing	None
Thermal Device - Winding	None
Vibration Sensor Indicator	No Vibration Sensor
Winding Thermal 1	None
Winding Thermal 2	None

Nameplate

NP4427AAA01A									
CAT #	CFSWDDNM3554T-E-G			LBS					
SPEC	35E6049Z820G1			ENCL	TENV				
SER #				CC	010A	IP	69		
HP	1.5	MAG CUR		2/1					
VOLTS	230/460			NEMA NOM. EFF			86.5		
AMPS	3.9/1.95			PF	72				
RATING	40C AMB-CONT								
RPM	1765			MAX RPM					
FRAME	145TC	HZ	60	CODE	M	CLASS	H		
SER.F.	1.15	SF AMP	4.4/2.2		PH	3	DES	B	
DE	6205		ODE	6205					
LUBRICATION	POLYREX EM								
ID LOGO	INVERTER TYPE		VPWM	CHP	60	TO	90	1.5:1	
ID LOGO	WK2	0.289	CT	3	TO	60	20:1		
ID LOGO	SL HZ	1.17	VT	3	TO	60	20:1		
				QR					
YR									

AC Induction Motor Performance Data

Record # 87357

Preliminary Data Sheet

Winding: 35WGZ820-R001		Type: 3540M	Enclosure: TENV	
Nameplate Data			460 V, 60 Hz: High Voltage Connection	
Rated Output (HP)	1.5	Full Load Torque	4.49 LB-FT	
Volts	230/460	Start Configuration	direct on line	
Full Load Amps	3.9/1.95	Breakdown Torque	18.2 LB-FT	
R.P.M.	1765	Pull-up Torque	10.49 LB-FT	
Hz	60 Phase	3	Locked-rotor Torque	12.72 LB-FT
NEMA Design Code	B KVA Code	M	Starting Current	18.17 A
Service Factor (S.F.)	1.15	No-load Current	1.03 A	
NEMA Nom. Eff.	86.5 Power Factor	72	Line-line Res. @ 25°C	10.9 Ω
Rating - Duty	40C AMB-CONT	Temp. Rise @ Rated Load	51°C	
S.F. Amps	4.4/2.2	Temp. Rise @ S.F. Load	62°C	
		Locked-rotor Power Factor	53.1	
		Rotor inertia	0.289 lb-ft ²	

Load Characteristics 460 V, 60 Hz, 1.5 HP

% of Rated Load	25	50	75	100	125	150	S.F.
Power Factor	39	61	74	81	85	87	83
Efficiency	83	88.6	89.4	88.9	88	86.6	88.4
Speed	1789	1782	1774	1765	1756	1746	1760
Line amperes	1.11	1.31	1.6	1.96	2.35	2.8	2.19

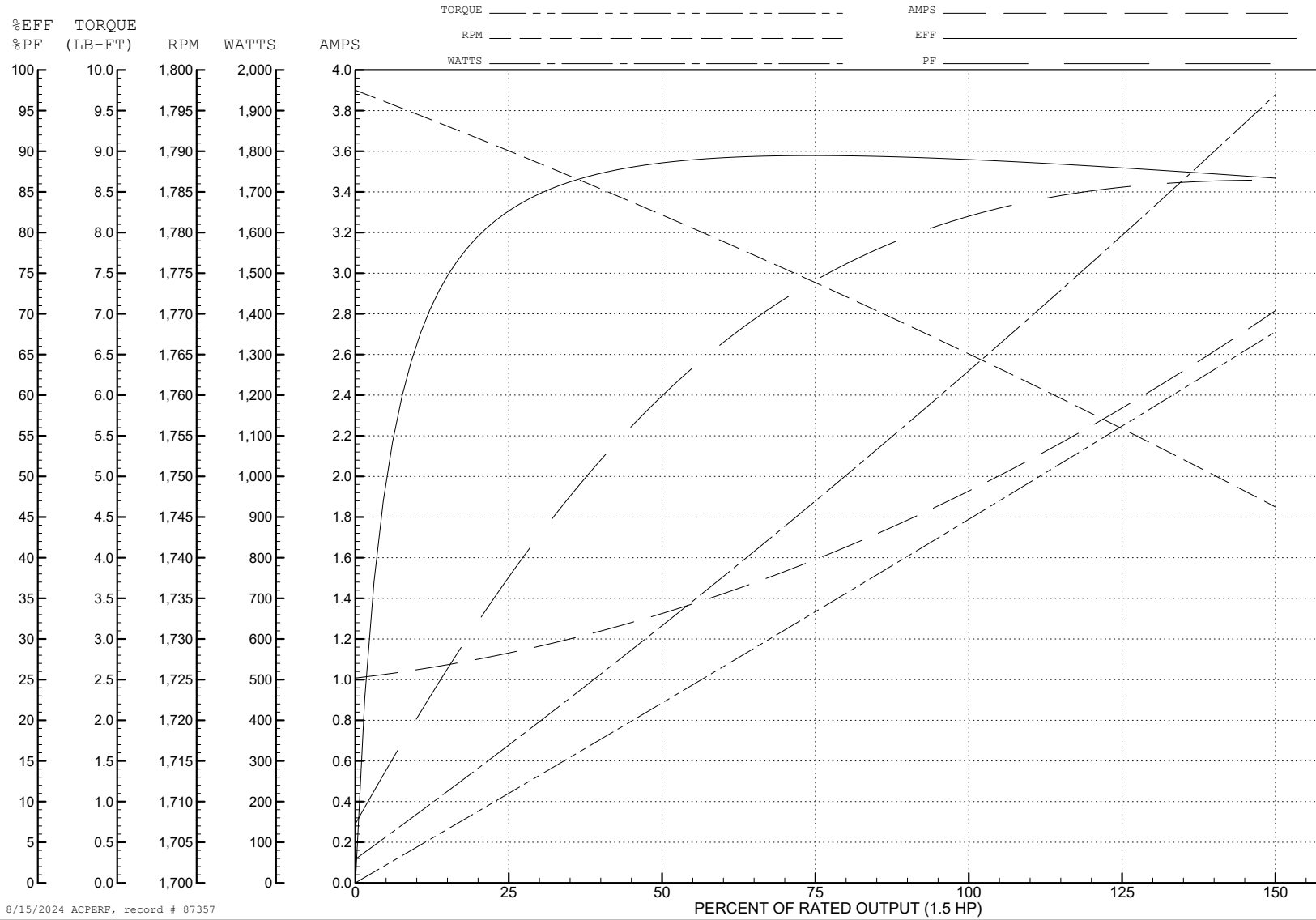
ABB Motors and Mechanical Inc.

WINDING # 35WGZ820

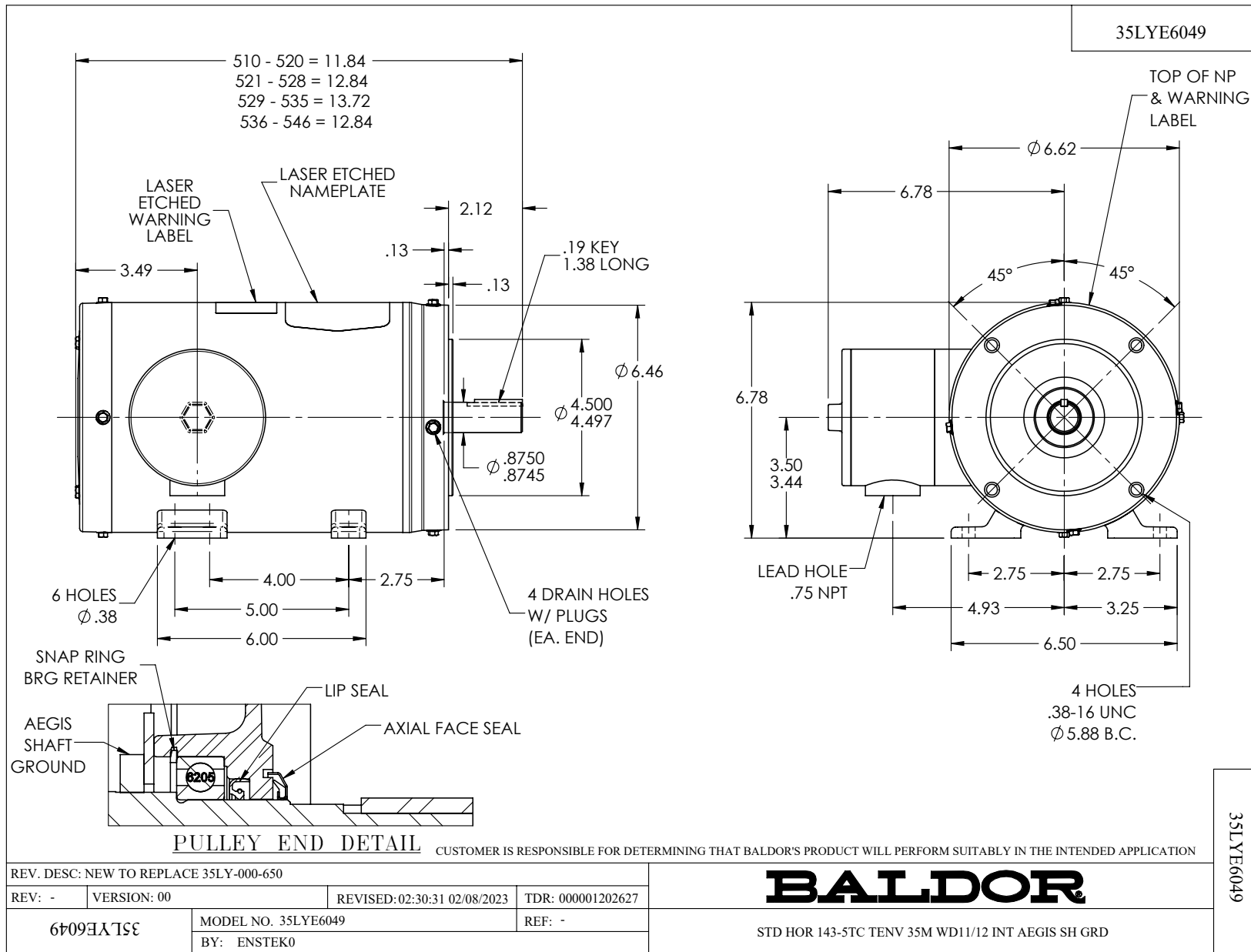
1.5 HP 3 PH 60 HZ 1765 RPM 460 V 3540M

Typical performance - not guaranteed values.

TORQUES (LB-FT): PO=18.2 PU=10.49 LR=12.72 LRA=18.17



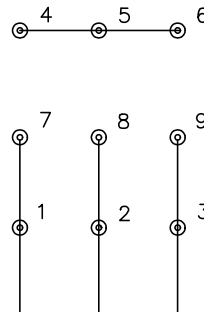
8/15/2024 ACPERF, record # 87357



CD0005

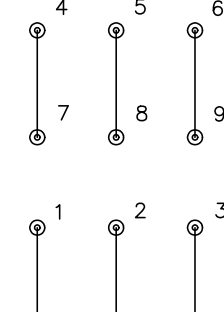


LOW VOLTAGE
(2Y)



LINE

HIGH VOLTAGE
(1Y)



LINE

NOTES:

1. INTERCHANGE ANY TWO LINE LEADS TO REVERSE ROTATION.
2. OPTIONAL THERMOSTATS ARE PROVIDED WHEN SPECIFIED.
3. ACTUAL NUMBER OF INTERNAL PARALLEL CIRCUITS MAY BE A MULTIPLE OF THOSE SHOWN ABOVE.
4. LEAD COLORS ARE OPTIONAL. LEADS MUST ALWAYS BE NUMBERED AS SHOWN.

CD0005

REV. DESC: REVISE TO SHOW OPTIONAL COLORS			
REV. LTR: E	BY: JLP	REVISED: 01/19/99 10:15	TDR: 0171435
S00000		FILE: AAA00005140	MDL: -
		MTL: -	

BALDOR ELECTRIC Co.

3PH, DV, 9 LEADS