

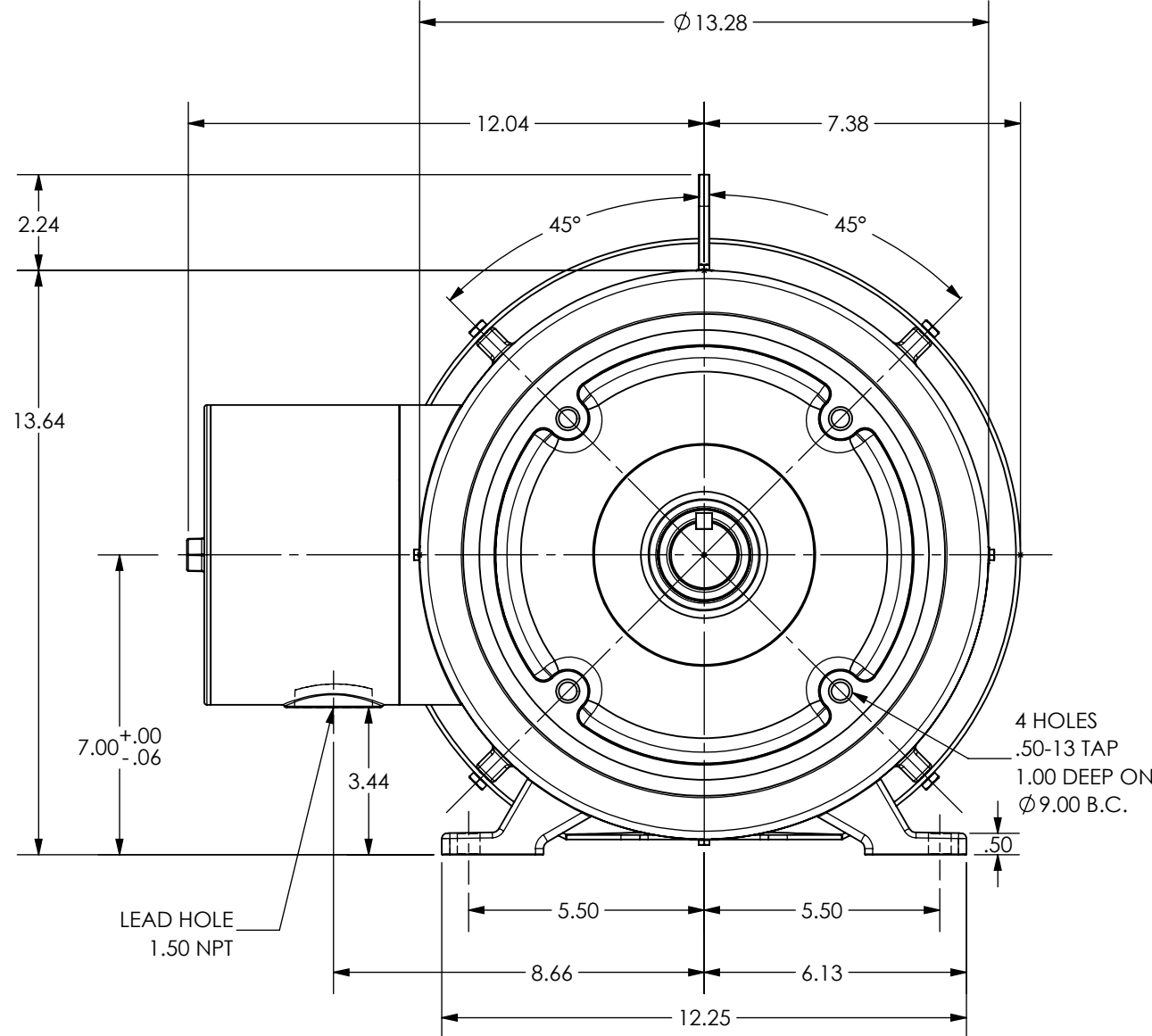
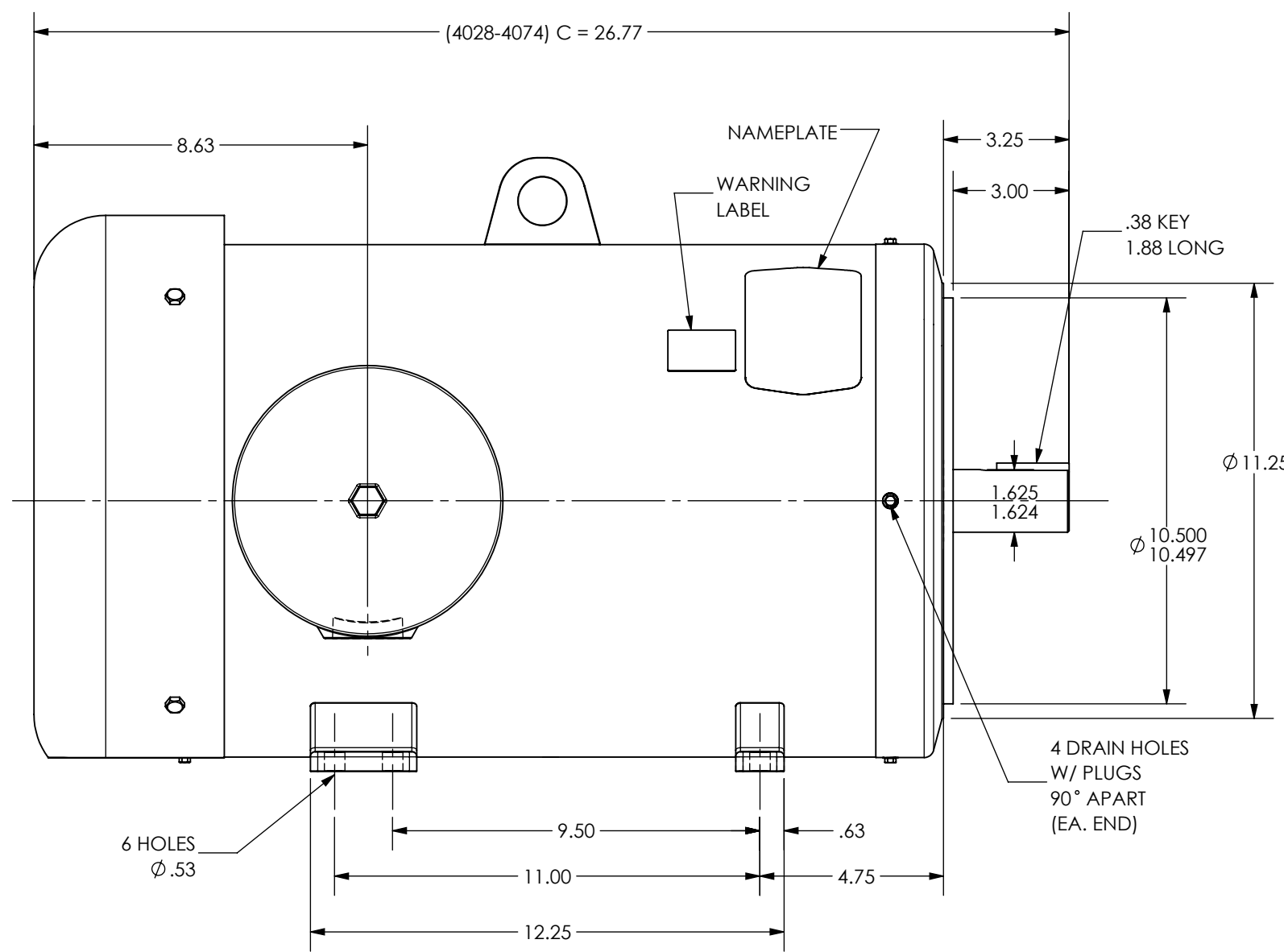
40LYE464

D

C

B

A

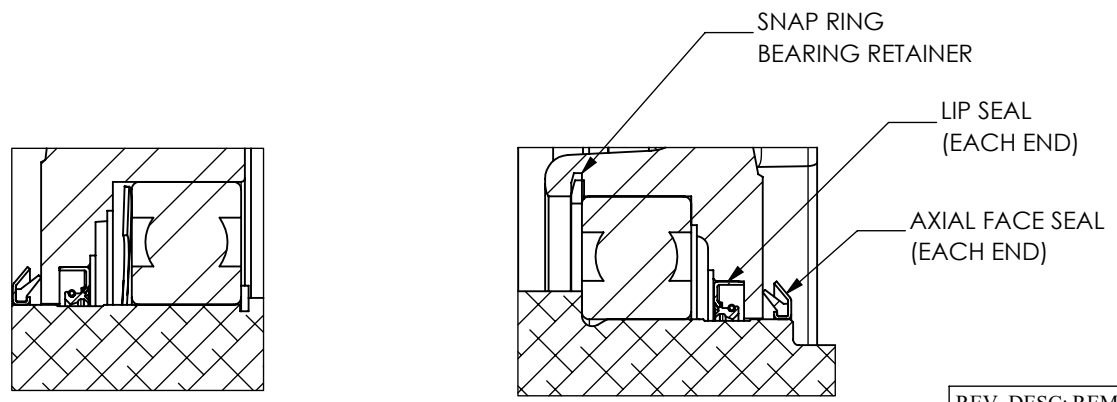


D

C

B

A



FRONT END DETAIL

PULLEY END DETAIL

CUSTOMER IS RESPONSIBLE FOR DETERMINING THAT BALDOR'S PRODUCT WILL PERFORM SUITABLY IN THE INTENDED APPLICATION

REV. DESC: REMOVE FACE DRAINS, DRAIN FTG; ADD DRAIN PLUG; NP UPD			
REV: C	VERSION: 03	REVISED: 01:31:56 08/24/2023	TDR: 000001202651
MODEL NO. 40LYE464			REF: -
BY: ENFRAJ0			B

BALDOR

HORZ TEFC 284-6TSC WD11 LIP & FACE SEALS

40LYE464

8 7 6 5 4 3 2 1