

**BALDOR • RELIANCE**

---

**Customer information packet**  
**CFSWDM41907T**

56M 2P TEFC HOR 284TSC S/P9-11 SE ALL SS

## Specifications

Enclosure	TEFC
Frame	284TSC
Frame Material	Stainless Steel
Frequency	60.00 Hz
Motor Letter Type	Three Phase
Output @ Frequency	25.000 HP @ 60 HZ
Phase	3
Synchronous Speed @ Frequency	3600 RPM @ 60 HZ
Voltage @ Frequency	230.0 V @ 60 HZ 460.0 V @ 60 HZ
Ambient Temperature	40 °C
Auxillary Box	No Auxillary Box
Auxillary Box Lead Termination	None
Base Indicator	Rigid
Bearing Grease Type	Polyrex EM (-20F +300F)
Blower	None
Current @ Voltage	56.000 A @ 230.0 V 28.000 A @ 460.0 V
Design Code	A
Drip Cover	No Drip Cover
Duty Rating	CONT
Efficiency @ 100% Load	91.7 %
Electrically Isolated Bearing	Not Electrically Isolated
Feedback Device	NO FEEDBACK
Front Shaft Indicator	None
Heater Indicator	No Heater
High Voltage Full Load Amps	28.0 a
Insulation Class	H
Inverter Code	Inverter Ready
KVA Code	H
Lifting Lugs	Standard Lifting Lugs
Locked Bearing Indicator	Locked Bearing

## Part detail

Revision	H
Type	AC
Mech. spec.	40E464
Base	
Status	PRD/A
Elec. spec.	40WGX294
Layout	40LYE464
Eff. date	09-22-2023
CD Diagram	CD0180
Poles	02
Leads	9#10
Proprietary	False
Created date	07-10-2018

<b>Motor Lead Quantity/Wire Size</b>	9 @ 10 AWG
<b>Motor Lead Termination</b>	Flying Leads
<b>Motor Standards</b>	NEMA
<b>Motor Type</b>	4056M
<b>Mounting Arrangement</b>	F1
<b>Number of Poles</b>	2
<b>Overall Length</b>	26.77 IN
<b>Power Factor</b>	90
<b>Product Family</b>	WD All SD Non-Encapsulated
<b>Pulley End Bearing Type</b>	Ball
<b>Pulley Face Code</b>	C-Face
<b>Pulley Shaft Indicator</b>	Standard
<b>Rodent Screen</b>	None
<b>Service Factor</b>	1.15
<b>Shaft Diameter</b>	1.625 IN
<b>Shaft Ground Indicator</b>	No Shaft Grounding
<b>Shaft Rotation</b>	Reversible
<b>Shaft Slinger Indicator</b>	No Slinger
<b>Speed</b>	3530 rpm
<b>Speed Code</b>	Single Speed
<b>Starting Method</b>	Direct on line
<b>Thermal Device - Winding</b>	None
<b>Vibration Sensor Indicator</b>	No Vibration Sensor
<b>Winding Thermal 1</b>	None
<b>Winding Thermal 2</b>	None

Nameplate

NP4427AAA05

<b>CAT #</b>	CFSWDM41907T	<b>LBS</b>	
<b>SPEC</b>	40E464X294G1	<b>ENCL</b>	TEFC
<b>SER #</b>		<b>CC</b>	010A IP 69
<b>HP</b>	25	<b>MAG CUR</b>	23/11.5
<b>VOLTS</b>	230/460	<b>NEMA NOM. EFF</b>	91.7
<b>AMPS</b>	60/30	<b>PF</b>	86
<b>RATING</b>	40C AMB-CONT		
<b>RPM</b>	3530	<b>MAX RPM</b>	5400
<b>FRAME</b>	284TSC	<b>HZ</b>	60
<b>SER.F.</b>	1.15	<b>SF AMP</b>	
<b>DE</b>	6311	<b>ODE</b>	6311
<b>LUBRICATION</b>	POLYREX_SHC_102_EM		
<b>ID LOGO</b>	<b>VPWM</b>	<b>CHP</b>	60
<b>ID LOGO</b>	<b>WK2</b>	<b>CT</b>	30
<b>ID LOGO</b>	<b>SL HZ</b>	<b>VT</b>	6
		<b>TO</b>	90
		<b>TO</b>	60
		<b>TO</b>	60
			1.5:1
			2:1
			10:1
		<b>QR</b>	
<b>YR</b>			

**AC Induction Motor Performance Data**

Record # 80199

Typical performance - not guaranteed values

<b>Winding: 40WGX294-R001</b>		<b>Type: 4056M</b>		<b>Enclosure: TEFC</b>	
<b>Nameplate Data</b>			<b>460 V, 60 Hz: High Voltage Connection</b>		
Rated Output (HP)	25	Full Load Torque	36.98 LB-FT		
Volts	230/460	Start Configuration	direct on line		
Full Load Amps	60/30	Breakdown Torque	146 LB-FT		
R.P.M.	3530	Pull-up Torque	58.9 LB-FT		
Hz	60 Phase	3	Locked-rotor Torque	77.9 LB-FT	
NEMA Design Code	A	KVA Code	J	Starting Current	226 A
Service Factor (S.F.)	1.15		No-load Current	11.8 A	
NEMA Nom. Eff.	91.7	Power Factor	86	Line-line Res. @ 25°C	0.22479 Ω
Rating - Duty	40C AMB-CONT		Temp. Rise @ Rated Load	69°C	
S.F. Amps			Temp. Rise @ S.F. Load	82°C	
			Locked-rotor Power Factor	22.7	

**Load Characteristics 460 V, 60 Hz, 25 HP**

% of Rated Load	25	50	75	100	125	150	S.F.
Power Factor	49	71	81	86	88	89	87
Efficiency	84.4	90.3	91.7	91.9	91.6	90.9	91.7
Speed	3583.8	3569	3553.9	3538.4	3522.7	3505.8	3529
Line amperes	13.8	18.1	23.5	29.7	36.3	43.4	33.7

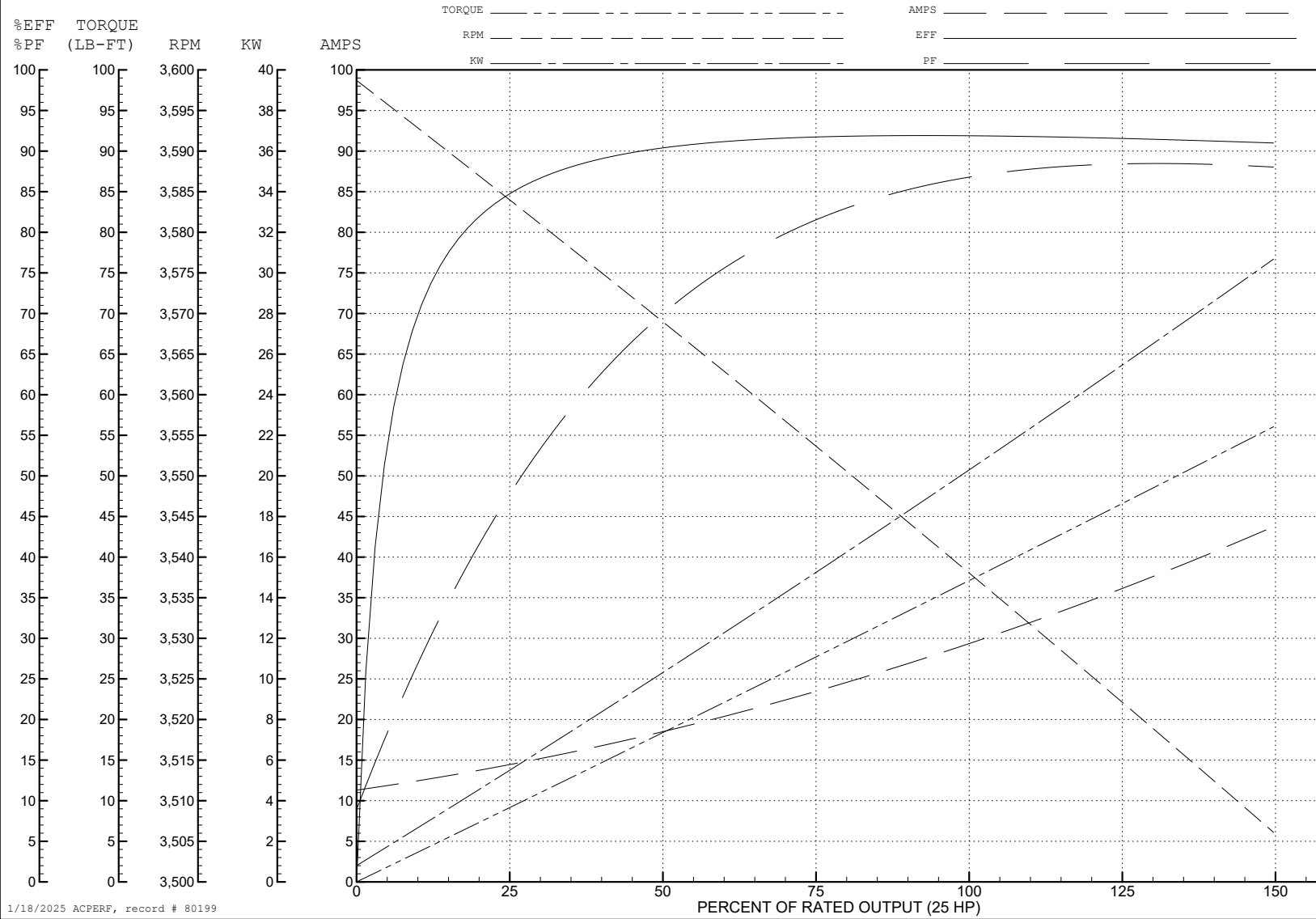
ABB Motors and Mechanical Inc.

WINDING # 40WGx294

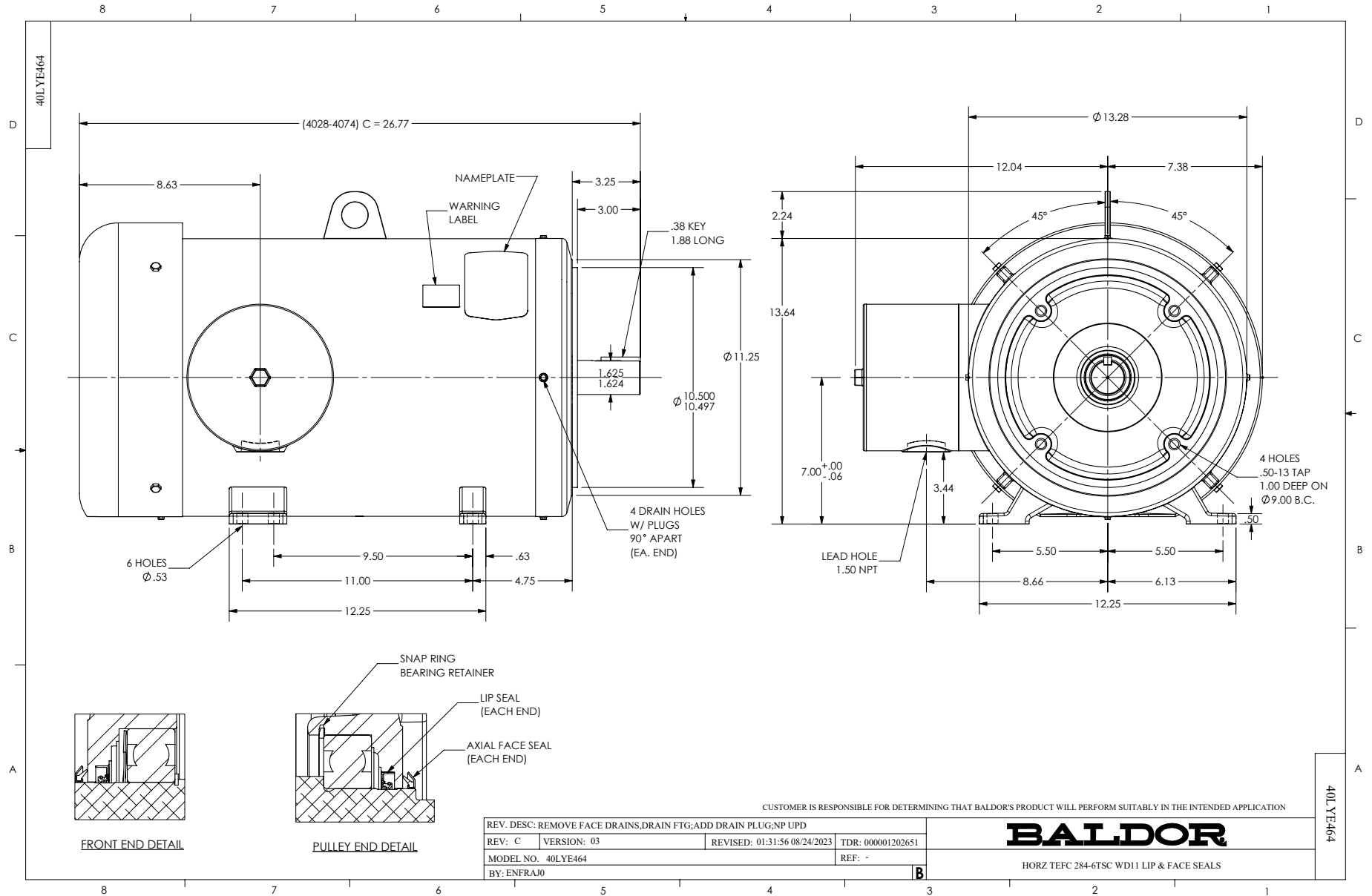
25 HP 3 PH 60 HZ 3530 RPM 460 V 4056M

Typical performance - not guaranteed values.

TORQUES (LB-FT): PO=146 PU=58.9 LR=77.9 LRA=226



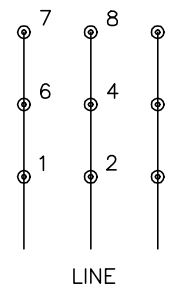
1/18/2025 ACPERF, record # 80199



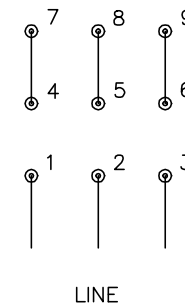
CD0180



LOW VOLTAGE  
(2D)



HIGH VOLTAGE  
(1D)



**NOTES:**

1. INTERCHANGE ANY TWO LINE LEADS TO REVERSE ROTATION.
2. OPTIONAL THERMOSTATS ARE PROVIDED WHEN SPECIFIED.
3. ACTUAL NUMBER OF INTERNAL PARALLEL CIRCUITS MAY BE A MULTIPLE OF THOSE SHOWN ABOVE.
4. LEAD COLORS ARE OPTIONAL. LEADS MUST ALWAYS BE NUMBERED AS SHOWN.

CD0180

REV. DESC: ADD CLASS CONN00000007		
REV. LTR: D	VERSION: 01	TDR: 000001099922
FILE: \AAA\00005\148	REVISED: 10:25:29 02/19/2019	BY: ENBRIRO
MTL: -	© □	

**BALDOR - RELIANCE®**

3PH, DV, 9 LEADS, DELTA CONNECTION

SH 1 of 1