

BALDOR • RELIANCE

Customer information packet

CFSWDM3714T-5E

10HP, 1770RPM, 3PH, 60HZ, 215TC, 3756M, TEFC, F

Class - None

Division - Not Applicable

Specifications

Enclosure	TEFC
Frame	215TC
Frame Material	Stainless Steel
Frequency	60.00 Hz
Haz Area Class and Group	None
Haz Area Division	Not Applicable
Motor Letter Type	Three Phase
Output @ Frequency	10.000 HP @ 60 HZ
Phase	3
Synchronous Speed @ Frequency	1800 RPM @ 60 HZ
Voltage @ Frequency	575.0 V @ 60 HZ
Agency Approvals	CSA CSA EEV NEMA PREMIUM UR
Ambient Temperature	40 °C
Auxillary Box	No Auxillary Box
Auxillary Box Lead Termination	None
Base Indicator	Rigid
Bearing Grease Type	Polyrex EM (-20F +300F)
Blower	None
Current @ Voltage	10.100 A @ 575.0 V
Design Code	B
Drip Cover	No Drip Cover
Duty Rating	CONT
Efficiency @ 100% Load	92.4 %
Electrically Isolated Bearing	Not Electrically Isolated
Feedback Device	NO FEEDBACK
Front Shaft Indicator	None
Heater Indicator	No Heater
High Voltage Full Load Amps	10.1 a
Insulation Class	H

Part detail

Revision	M
Type	AC
Mech. spec.	37Q242
Base	
Status	PRD/A
Elec. spec.	37WGS360
Layout	37LYQ242
Eff. date	09-22-2023
CD Diagram	CD0006
Poles	04
Leads	3#14
Proprietary	False
Created date	10-11-2018

Inverter Code	Not Inverter
KVA Code	K
Lifting Lugs	Standard Lifting Lugs
Locked Bearing Indicator	Locked Bearing
Motor Lead Quantity/Wire Size	3 @ 14 AWG
Motor Lead Termination	Flying Leads
Motor Standards	NEMA
Motor Type	3756M
Mounting Arrangement	F1
Number of Poles	4
Overall Length	22.12 IN
Power Factor	81
Product Family	WD All SS Encapsulated
Pulley End Bearing Type	Sealed Bearing
Pulley Face Code	C-Face
Pulley Shaft Indicator	Standard
Rodent Screen	None
RoHS Status	ROHS COMPLIANT
Service Factor	1.15
Shaft Diameter	1.375 IN
Shaft Ground Indicator	No Shaft Grounding
Shaft Rotation	Reversible
Shaft Slinger Indicator	No Slinger
Speed	1770 rpm
Speed Code	Single Speed
Starting Method	Direct on line
Thermal Device - Bearing	None
Thermal Device - Winding	None
Vibration Sensor Indicator	No Vibration Sensor
Winding Thermal 1	None
Winding Thermal 2	None

Nameplate

NP4427AAA02											
CAT #	CFSWDM3714T-5E				WGT		LBS				
SPEC	37Q242S360G1				ENCL	TEFC					
SER #		CC	010A	IP	69						
HP	10	MAG CUR			4.5						
VOLTS	575				NEMA NOM. EFF				92.4		
AMPS	10.1				PF	81					
RATING	40C AMB-CONT										
RPM	1770				MAX RPM			2700			
FRAME	215TC	HZ	60	CODE	K	CLASS		H			
SER.F.	1.15	SF AMP			PH	3	DES	B			
DE	6307		ODE		6307						
LUBRICATION	POLYREX EM										
ID LOGO	INVERTER TYPE		VPWM	CHP	60	TO	90	1.5:1			
ID LOGO	WK2	1.38	CT	30	TO	60	2:1				
ID LOGO	SL HZ	1	VT	6	TO	60	10:1				
								QR			
YR											

AC Induction Motor Performance Data

Record # 54373

Typical performance - not guaranteed values

Winding: 37WGS360-R003		Type: 3756M		Enclosure: TEFC		
Nameplate Data			575 V, 60 Hz: Single Voltage Motor			
Rated Output (HP)	10	Full Load Torque	29.9 LB-FT			
Volts	575	Start Configuration	direct on line			
Full Load Amps	10.1	Breakdown Torque	104 LB-FT			
R.P.M.	1770	Pull-up Torque	54.9 LB-FT			
Hz	60 Phase	3	Locked-rotor Torque	75.9 LB-FT		
NEMA Design Code	B KVA Code	K	Starting Current	86.1 A		
Service Factor (S.F.)	1.15	No-load Current	4.49 A			
NEMA Nom. Eff.	92.4 Power Factor	81	Line-line Res. @ 25°C	1.25 Ω		
Rating - Duty	40C AMB-CONT		Temp. Rise @ Rated Load	77°C		
S.F. Amps			Temp. Rise @ S.F. Load	94°C		
			Locked-rotor Power Factor	32		
			Rotor inertia	1.38 LB-FT ²		

Load Characteristics 575 V, 60 Hz, 10 HP

% of Rated Load	25	50	75	100	125	150	S.F.
Power Factor	42	64	75	81	83	84	82
Efficiency	87.8	92.2	92.9	92.8	92.2	91.6	92.4
Speed	1793	1786	1778	1770	1763	1753	1766
Line amperes	5.07	6.34	8.08	10.1	12.3	14.7	11.4

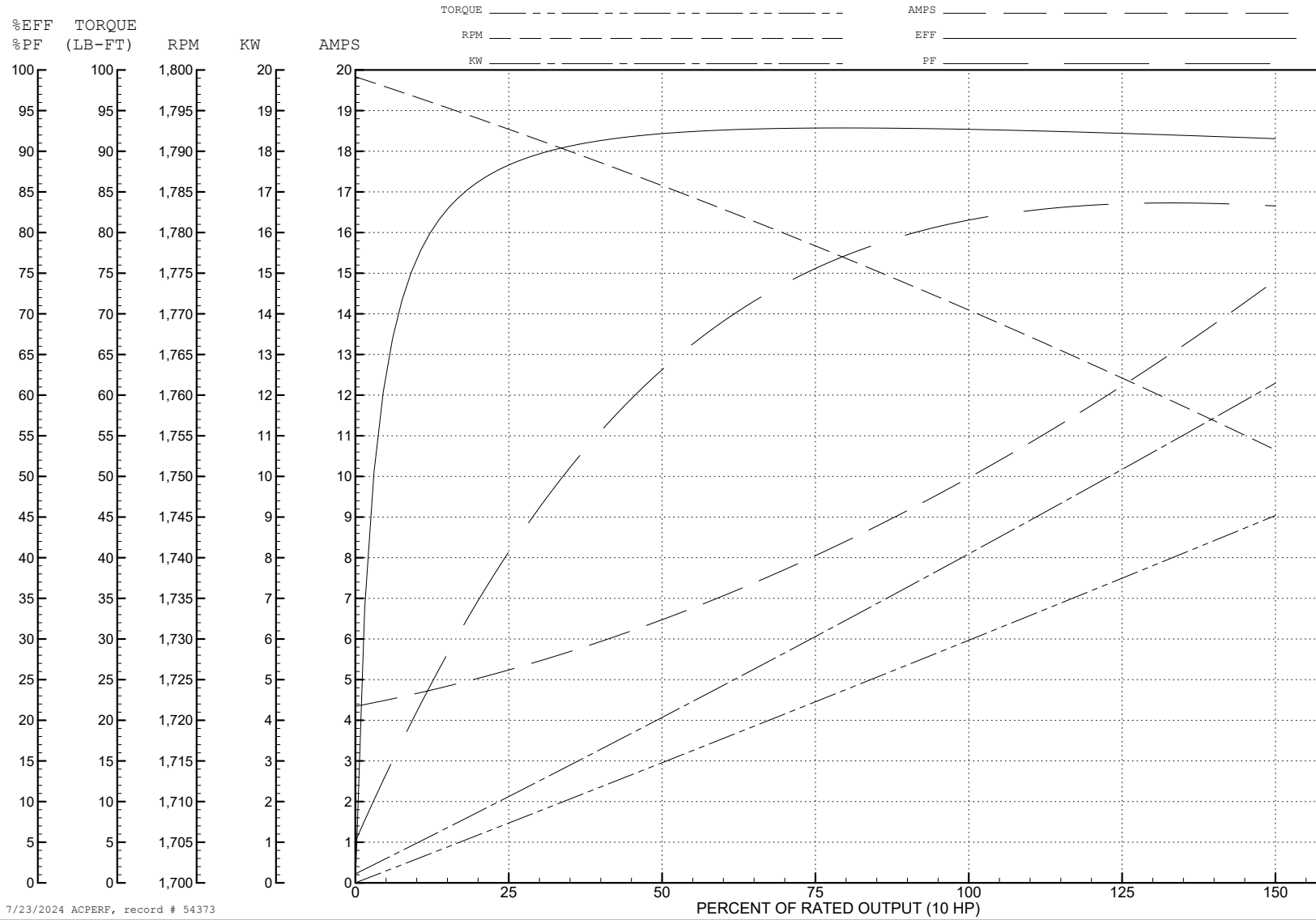
ABB Motors and Mechanical Inc.

WINDING # 37WGS360

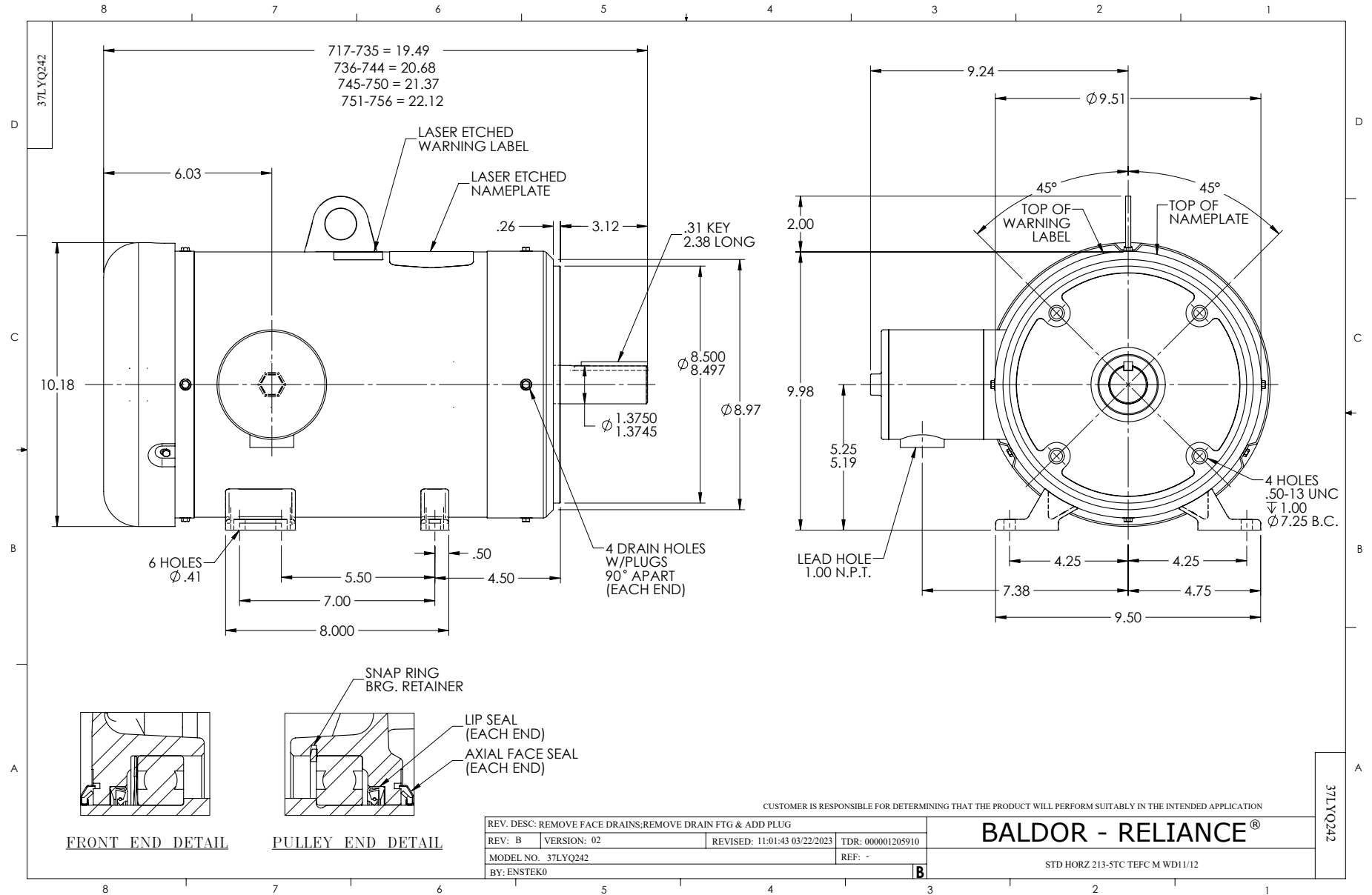
Typical performance - not guaranteed values.

10 HP 3 PH 60 HZ 1770 RPM 575 V 3756M

TORQUES (LB-FT): PO=104 PU=54.9 LR=75.9 LRA=86.1



7/23/2024 ACPERF, record # 54373



CD0006



NOTES:

1. THREE LEAD MOTOR MAY BE EITHER WYE CONNECTED OR DELTA CONNECTED.
2. INTERCHANGE ANY TWO LINE LEADS TO REVERSE ROTATION.
3. OPTIONAL THERMOSTATS ARE PROVIDED WHEN SPECIFIED.
4. ACTUAL NUMBER OF INTERNAL PARALLEL CIRCUITS MAY VARY.
5. LEAD COLORS ARE OPTIONAL. LEADS MUST BE NUMBERED AS SHOWN.

CD0006

REV. DESC: ADD CLASS CONN00000007		
REV. LTR: E	VERSION: 01	TDR: 000001099922
FILE: \AAA\00005\141	REVISED: 10:24:49 02/19/2019	BY: ENBRIRO
MTL: -		© □

BALDOR - RELIANCE®

3PH, SV, 3 LEADS, WYE OR DELTA CONNECTED

SH 1 of 1