

BALDOR • RELIANCE

Customer information packet

CFSWDM3711T-5E

10HP, 3500RPM, 3PH, 60HZ, 215TC, 3744M, TEFC, F

Class - None

Division - Not Applicable

Copyright © All product information within this document is subject to ABB Motors and Mechanical Inc. copyright © protection, unless otherwise noted.

6/13/2024 2:15:04 AM

Specifications

Enclosure	TEFC
Frame	215TC
Frame Material	Stainless Steel
Frequency	60.00 Hz
Haz Area Class and Group	None
Haz Area Division	Not Applicable
Motor Letter Type	Three Phase
Output @ Frequency	10.000 HP @ 60 HZ
Phase	3
Synchronous Speed @ Frequency	3600 RPM @ 60 HZ
Voltage @ Frequency	575.0 V @ 60 HZ
Agency Approvals	CSA CSA EEV NEMA PREMIUM UR
Ambient Temperature	40 °C
Auxillary Box	No Auxillary Box
Auxillary Box Lead Termination	None
Base Indicator	Rigid
Bearing Grease Type	Polyrex EM (-20F +300F)
Blower	None
Current @ Voltage	9.100 A @ 575.0 V
Design Code	A
Drip Cover	No Drip Cover
Duty Rating	CONT
Efficiency @ 100% Load	90.2 %
Electrically Isolated Bearing	Not Electrically Isolated
Feedback Device	NO FEEDBACK
Front Shaft Indicator	None
Heater Indicator	No Heater
High Voltage Full Load Amps	9.1 a
Insulation Class	H

Part detail

Revision	N
Type	AC
Mech. spec.	37Q242
Base	
Status	PRD/A
Elec. spec.	37WGR415
Layout	37LYQ242
Eff. date	09-22-2023
CD Diagram	CD0006
Poles	02
Leads	3#14
Proprietary	False
Created date	10-11-2018

Inverter Code	Inverter Ready
KVA Code	M
Lifting Lugs	Standard Lifting Lugs
Locked Bearing Indicator	Locked Bearing
Motor Lead Quantity/Wire Size	3 @ 14 AWG
Motor Lead Termination	Flying Leads
Motor Standards	NEMA
Motor Type	3744M
Mounting Arrangement	F1
Number of Poles	2
Overall Length	20.68 IN
Power Factor	91
Product Family	WD All SS Encapsulated
Pulley End Bearing Type	Sealed Bearing
Pulley Face Code	C-Face
Pulley Shaft Indicator	Standard
Rodent Screen	None
RoHS Status	ROHS COMPLIANT
Service Factor	1.15
Shaft Diameter	1.375 IN
Shaft Ground Indicator	No Shaft Grounding
Shaft Rotation	Reversible
Shaft Slinger Indicator	No Slinger
Speed	3500 rpm
Speed Code	Single Speed
Starting Method	Direct on line
Thermal Device - Bearing	None
Thermal Device - Winding	None
Vibration Sensor Indicator	No Vibration Sensor
Winding Thermal 1	None
Winding Thermal 2	None

Nameplate

NP4427AAA02										
CAT #	CFSWDM3711T-5E			WGT		LBS				
SPEC	37Q242R415G1			ENCL	TEFC					
SER #		CC	010A	IP	69					
HP	10	MAG CUR								
VOLTS	575			NEMA NOM. EFF		90.2				
AMPS	9.1		PF	91						
RATING	40C AMB-CONT									
RPM	3500			MAX RPM						
FRAME	215TC	HZ	60	CODE	M	CLASS	H			
SER.F.	1.15	SF AMP		PH	3	DES	A			
DE	6307	ODE	6307							
LUBRICATION	POLYREX EM									
ID LOGO	INVERTER TYPE	VPWM	CHP	60	TO	90				1.5:1
ID LOGO	WK2	0.4	CT	15	TO	60	4:1			
ID LOGO	SL HZ		VT	6	TO	60	10:1			
YR								QR		

AC Induction Motor Performance Data

Record # 40689

Typical performance - not guaranteed values

Winding: 37WGR415-R001		Type: 3744M		Enclosure: TEFC	
Nameplate Data			575 V, 60 Hz: Single Voltage Motor		
Rated Output (HP)	10	Full Load Torque	15 LB-FT		
Volts	575	Start Configuration	direct on line		
Full Load Amps	9.1	Breakdown Torque	94.3 LB-FT		
R.P.M.	3500	Pull-up Torque	41.3 LB-FT		
Hz	60	Locked-rotor Torque	49.3 LB-FT		
NEMA Design Code	A	Starting Current	104 A		
Service Factor (S.F.)	1.15	No-load Current	3.68 A		
NEMA Nom. Eff.	90.2	Line-line Res. @ 25°C	0.979 Ω		
Rating - Duty	40C AMB-CONT	Temp. Rise @ Rated Load	66°C		
S.F. Amps		Temp. Rise @ S.F. Load	79°C		
		Locked-rotor Power Factor	32		
		Rotor inertia	0.402 LB-FT ²		

Load Characteristics 575 V, 60 Hz, 10 HP

% of Rated Load	25	50	75	100	125	150	S.F.
Power Factor	54	76	85	91	90	92	90
Efficiency	81.5	88.6	90.2	91.1	90.4	90.1	90.7
Speed	3580	3558	3537	3513	3490	3464	3499
Line amperes	4.18	5.59	7.25	9.11	11.4	13.6	10.5

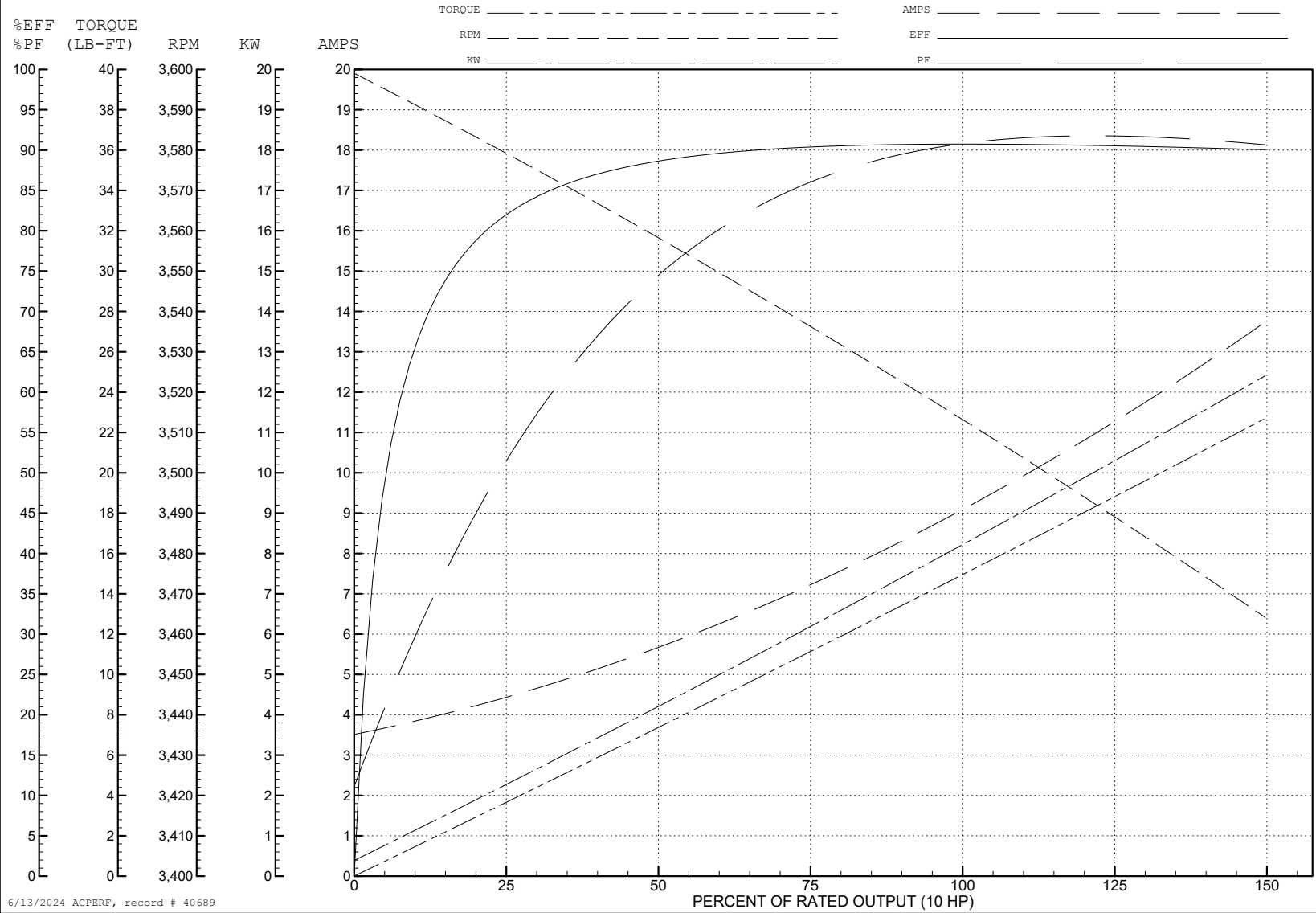
ABB Motors and Mechanical Inc.

WINDING # 37WGR415

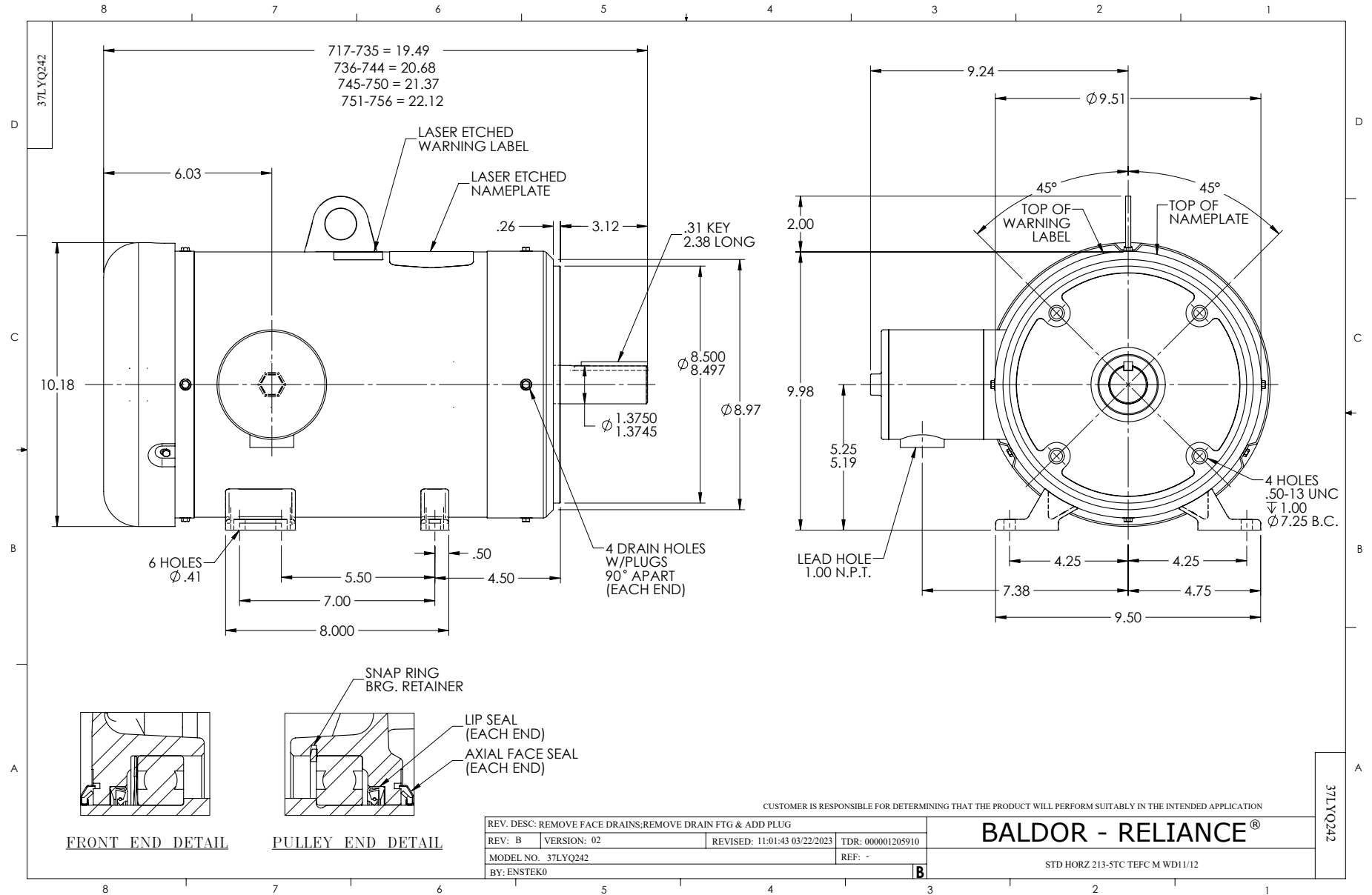
Typical performance - not guaranteed values.

10 HP 3 PH 60 HZ 3500 RPM 575 V 3744M

TORQUES (LB-FT): PO=94.3 PU=41.3 LR=49.3 LRA=104



6/13/2024 ACPERF, record # 40689



CD0006



NOTES:

1. THREE LEAD MOTOR MAY BE EITHER WYE CONNECTED OR DELTA CONNECTED.
2. INTERCHANGE ANY TWO LINE LEADS TO REVERSE ROTATION.
3. OPTIONAL THERMOSTATS ARE PROVIDED WHEN SPECIFIED.
4. ACTUAL NUMBER OF INTERNAL PARALLEL CIRCUITS MAY VARY.
5. LEAD COLORS ARE OPTIONAL. LEADS MUST BE NUMBERED AS SHOWN.

CD0006

REV. DESC: ADD CLASS CONN00000007		
REV. LTR: E	VERSION: 01	TDR: 000001099922
FILE: \AAA\00005\141	REVISED: 10:24:49 02/19/2019	BY: ENBRIRO
MTL: -	© □	

BALDOR - RELIANCE®

3PH, SV, 3 LEADS, WYE OR DELTA CONNECTED

SH 1 of 1