

ABB BALDOR RELIANCE III

Customer information packet CFSWDM3615T-5E

5HP, 1750RPM, 3PH, 60HZ, 184TC, 3646M, TEFC, F1

Class - None

Division - Not Applicable

Specifications

Enclosure	TEFC
Frame	184TC
Frame Material	Stainless Steel
Frequency	60.00 Hz
Haz Area Class and Group	None
Haz Area Division	Not Applicable
Motor Letter Type	Three Phase
Output @ Frequency	5.000 HP @ 60 HZ
Phase	3
Synchronous Speed @ Frequency	1800 RPM @ 60 HZ
Voltage @ Frequency	575.0 V @ 60 HZ
Agency Approvals	NEMA PREMIUM CSA UR
Ambient Temperature	40 °C
Auxiliary Box	NO AUXILLARY BOX
Auxiliary Box Lead Termination	None
Base Indicator	Rigid
Bearing Grease Type	Polyrex EM (-20F +300F)
Blower	None
Current @ Voltage	5.100 A @ 575.0 V
Design Code	B
Drip Cover	No Drip Cover
Duty Rating	CONT
Efficiency @ 100% Load	89.5 %
Electrically Isolated Bearing	Not Electrically Isolated
Feedback Device	NO FEEDBACK
Front Face Code	Standard
Front Shaft Indicator	None
Heater Indicator	No Heater
High Voltage Full Load Amps	5.1 a
Insulation Class	H

Part Detail

Revision	M
Type	AC
Mech. spec.	36R552
Base	
Status	PRD/A
Elec. spec.	36WGS991
Layout	36LYR552
Eff. date	03-12-2026
CD Diagram	CD0006
Poles	04
Leads	3#16
Proprietary	False
Created date	07-31-2017

Inverter Code	Not Inverter
KVA Code	J
Lifting Lugs	Standard Lifting Lugs
Locked Bearing Indicator	Locked Bearing
Motor Lead Exit	Ko Box
Motor Lead Quantity/Wire Size	3 @ 16 AWG
Motor Lead Termination	Flying Leads
Motor Standards	NEMA
Motor Type	3646M
Mounting Arrangement	F1
Number of Poles	4
Overall Length	18.89 IN
Power Factor	82
Product Family	WD All SS Encapsulated
Pulley End Bearing Type	Sealed Bearing
Pulley Face Code	C-Face
Pulley Shaft Indicator	Standard
Rodent Screen	None
RoHS Status	ROHS COMPLIANT
Service Factor	1.15
Shaft Diameter	1.125 IN
Shaft Extension Location	Pulley End
Shaft Ground Indicator	No Shaft Grounding
Shaft Rotation	Reversible
Shaft Slinger Indicator	Shaft Slinger
Speed	1750 rpm
Speed Code	Single Speed
Starting Method	Direct on line
Thermal Device - Bearing	None
Thermal Device - Winding	None
Vibration Sensor Indicator	No Vibration Sensor
Winding Thermal 1	None
Winding Thermal 2	None

Nameplate

NP4427AAA02

CAT #	CFSWDM3615T-5E	WGT		LBS	
SPEC	36R552S991G1	ENCL	TEFC		
SER #		CC	010A	IP	69
HP	5	MAG CUR	2.2		
VOLTS	575	NEMA NOM. EFF		89.5	
AMPS	5.1	PF	82		
RATING	40C AMB-CONT				
RPM	1750	MAX RPM	2700		
FRAME	184TC	HZ	60	CODE	J
		CLASS	H		
SER.F.	1.15	SF AMP	5.9	PH	3
		DES	B		
DE	6206	ODE	6206		
LUBRICATION	POLYREX EM				
ID LOGO	INVERTER TYPE	VPWM	CHP	60	TO
				90	1.5:1
ID LOGO	WK2	0.428	CT	15	TO
				60	4:1
ID LOGO	SL HZ	1.7	VT	0-	TO
				60	1000:1
YR				QR	

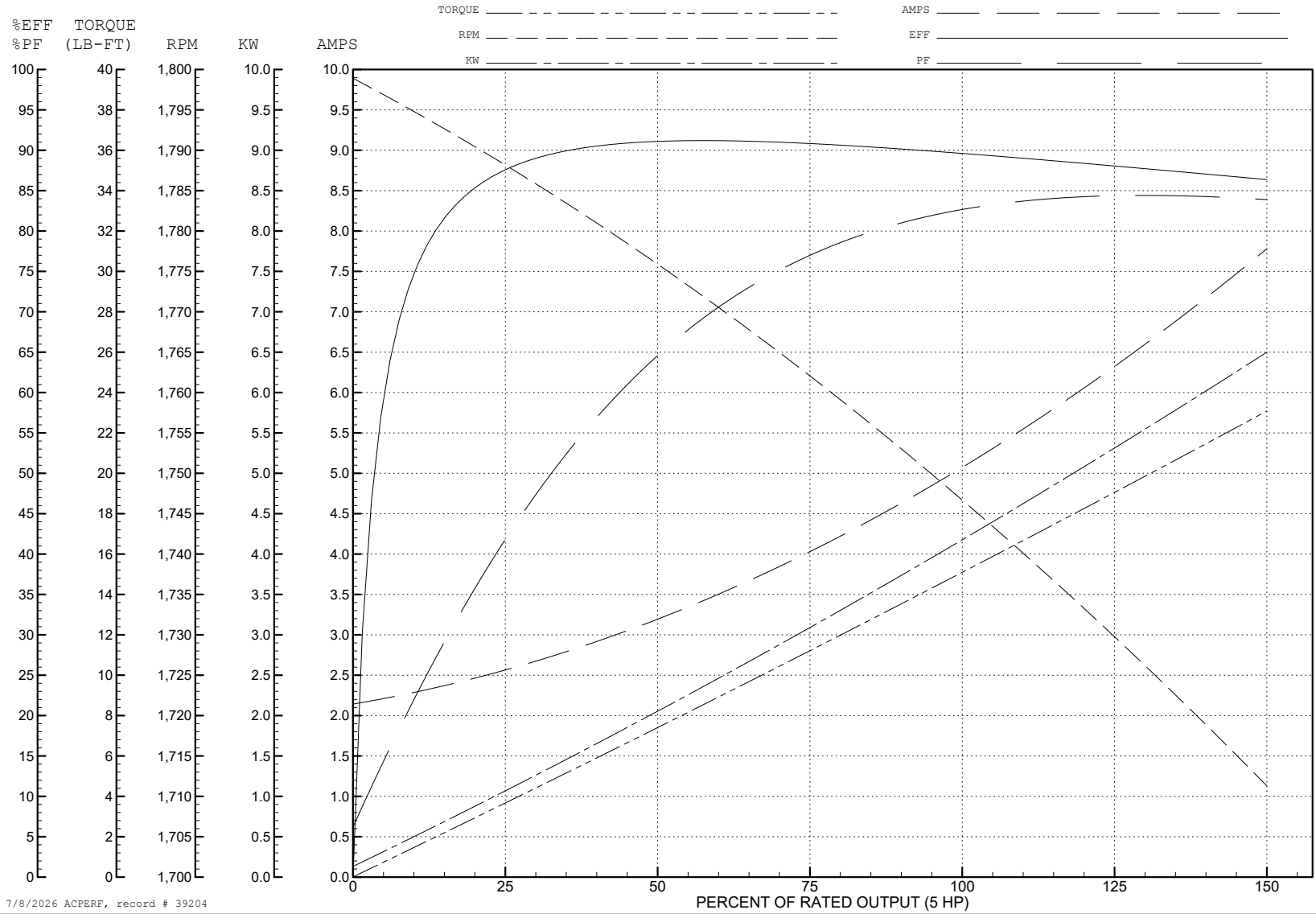
ABB Motors and Mechanical Inc.

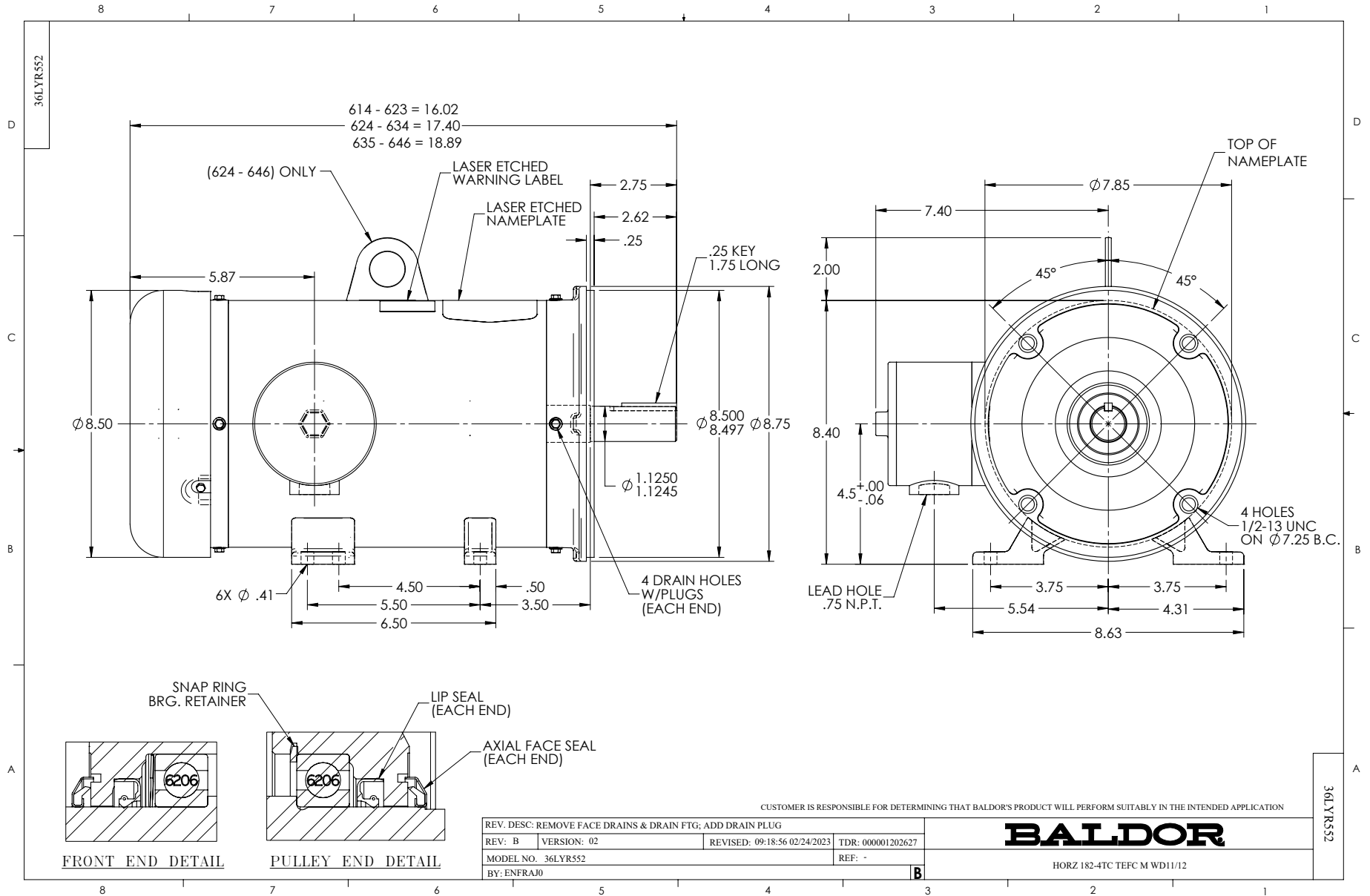
WINDING # 36WGS991

Typical performance - not guaranteed values.

5 HP 3 PH 60 HZ 1750 RPM 575 V 3646M

TORQUES (LB-FT): PO=47.6 PU=26.4 LR=30.8 LRA=36.9





CD0006



NOTES:

1. THREE LEAD MOTOR MAY BE EITHER WYE CONNECTED OR DELTA CONNECTED.
2. INTERCHANGE ANY TWO LINE LEADS TO REVERSE ROTATION.
3. OPTIONAL THERMOSTATS ARE PROVIDED WHEN SPECIFIED.
4. ACTUAL NUMBER OF INTERNAL PARALLEL CIRCUITS MAY VARY.
5. LEAD COLORS ARE OPTIONAL. LEADS MUST BE NUMBERED AS SHOWN.

CD0006

REV. DESC: ADD CLASS CONN00000007		
REV. LTR: E	VERSION: 01	TDR: 000001099922
FILE: \AAA\00005\141	REVISED: 10:24:49 02/19/2019	BY: ENBRIRO
MTL: -		© □

BALDOR - RELIANCE®

3PH, SV, 3 LEADS, WYE OR DELTA CONNECTED

SH 1 of 1