

BALDOR • RELIANCE

Customer information packet

CFSWDM3559T-5E

3HP, 3470RPM, 3PH, 60HZ, 145TC, 3546M, TEFC, F1

Class - None

Division - Not Applicable

Specifications

Enclosure	TEFC
Frame	145TC
Frame Material	Stainless Steel
Frequency	60.00 Hz
Haz Area Class and Group	None
Haz Area Division	Not Applicable
Motor Letter Type	Three Phase
Output @ Frequency	3.000 HP @ 60 HZ
Phase	3
Synchronous Speed @ Frequency	3600 RPM @ 60 HZ
Voltage @ Frequency	575.0 V @ 60 HZ
Ambient Temperature	40 °C
Auxillary Box	No Auxillary Box
Auxillary Box Lead Termination	None
Base Indicator	Rigid
Bearing Grease Type	Polyrex EM (-20F +300F)
Blower	None
Current @ Voltage	2.900 A @ 575.0 V
Design Code	A
Drip Cover	No Drip Cover
Duty Rating	CONT
Efficiency @ 100% Load	86.5 %
Electrically Isolated Bearing	Not Electrically Isolated
Feedback Device	NO FEEDBACK
Front Face Code	Standard
Front Shaft Indicator	None
Heater Indicator	No Heater
High Voltage Full Load Amps	2.9 a
Insulation Class	H
Inverter Code	Inverter Ready
KVA Code	P
Lifting Lugs	No Lifting Lugs

Part detail

Revision	J
Type	AC
Mech. spec.	35E4743
Base	
Status	PRD/A
Elec. spec.	35WGN653
Layout	35LYE4743
Eff. date	08-30-2023
CD Diagram	CD0006
Poles	02
Leads	3#18 15" lead length,0#0 dbl dip & bake,0#0 phase insulaY
Proprietary	False
Created date	03-16-2018

Locked Bearing Indicator	Locked Bearing
Motor Finish	UNPAINTED
Motor Lead Exit	Ko Box
Motor Lead Quantity/Wire Size	@ 0 AWG 3 @ 18 AWG
Motor Lead Termination	Flying Leads
Motor Standards	NEMA
Motor Type	3546M
Mounting Arrangement	F1
Number of Poles	2
Overall Length	16.28 IN
Power Factor	91
Product Family	WD All SS Encapsulated
Pulley End Bearing Type	Sealed Bearing
Pulley Face Code	C-Face
Pulley Shaft Indicator	Standard
Rodent Screen	None
RoHS Status	ROHS COMPLIANT
Service Factor	1.15
Shaft Diameter	0.875 IN
Shaft Extension Location	Pulley End
Shaft Ground Indicator	No Shaft Grounding
Shaft Rotation	Reversible
Shaft Slinger Indicator	No Slinger
Speed	3470 rpm
Speed Code	Single Speed
Starting Method	Direct on line
Thermal Device - Bearing	NONE (OLD)
Thermal Device - Winding	None
Vibration Sensor Indicator	No Vibration Sensor
Winding Thermal 1	None
Winding Thermal 2	None

Nameplate

NP4427AAA02

CAT #	CFSWDM3559T-5E		LBS					
SPEC	35E4743N653G2		ENCL	TEFC				
SER #			CC	010A	IP	69		
HP	3	MAG CUR	1					
VOLTS	575		NEMA NOM. EFF	86.5				
AMPS	2.9		PF	91				
RATING	40C AMB-CONT							
RPM	3470		MAX RPM	5400				
FRAME	145TC	HZ	60	CODE	P	CLASS	H	
SER.F.	1.15	SF AMP			PH	3	DES	A
DE	6205		ODE	6205				
LUBRICATION	POLYREX EM							
ID LOGO	INVERTER TYPE	VPWM	CHP	60	TO	90	1.5:1	
ID LOGO	WK2	0.127	CT	15	TO	60	4:1	
ID LOGO	SL HZ	2.2	VT	3	TO	60	20:1	
							QR	
YR								

AC Induction Motor Performance Data

Record # 40792

Typical performance - not guaranteed values

Winding: 35WGN653-R001		Type: 3546M	Enclosure: TEFC
Nameplate Data		575 V, 60 Hz: Single Voltage Motor	
Rated Output (HP)	3	Full Load Torque	4.5 LB-FT
Volts	575	Start Configuration	direct on line
Full Load Amps	2.9	Breakdown Torque	17.5 LB-FT
R.P.M.	3470	Pull-up Torque	10.7 LB-FT
Hz	60 Phase	Locked-rotor Torque	17.3 LB-FT
NEMA Design Code	A KVA Code	Starting Current	39.4 A
Service Factor (S.F.)	1.15	No-load Current	1.02 A
NEMA Nom. Eff.	86.5 Power Factor	Line-line Res. @ 25°C	5.41 Ω
Rating - Duty	40C AMB-CONT	Temp. Rise @ Rated Load	63°C
S.F. Amps		Temp. Rise @ S.F. Load	74°C
		Locked-rotor Power Factor	43
		Rotor inertia	0.127 LB-FT ²

Load Characteristics 575 V, 60 Hz, 3 HP

% of Rated Load	25	50	75	100	125	150	S.F.
Power Factor	58	79	87	90	91	90	91
Efficiency	79.3	86.2	87	86.9	85.6	83.9	86.1
Speed	3568	3542	3511	3481	3446	3406	3460
Line amperes	1.24	1.67	2.24	2.85	3.54	4.32	3.26

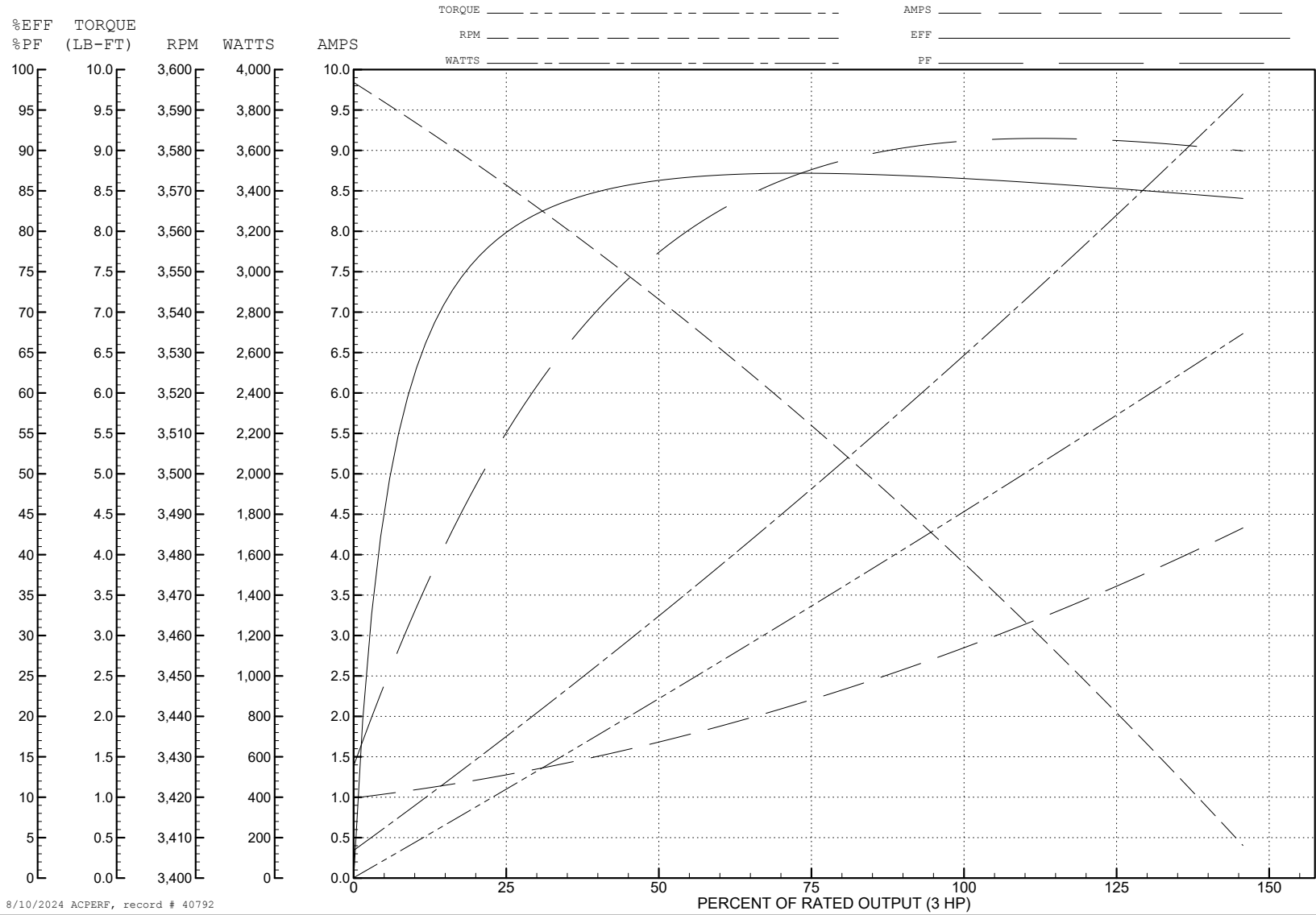
ABB Motors and Mechanical Inc.

WINDING # 35WGN653

3 HP 3 PH 60 HZ 3470 RPM 575 V 3546M

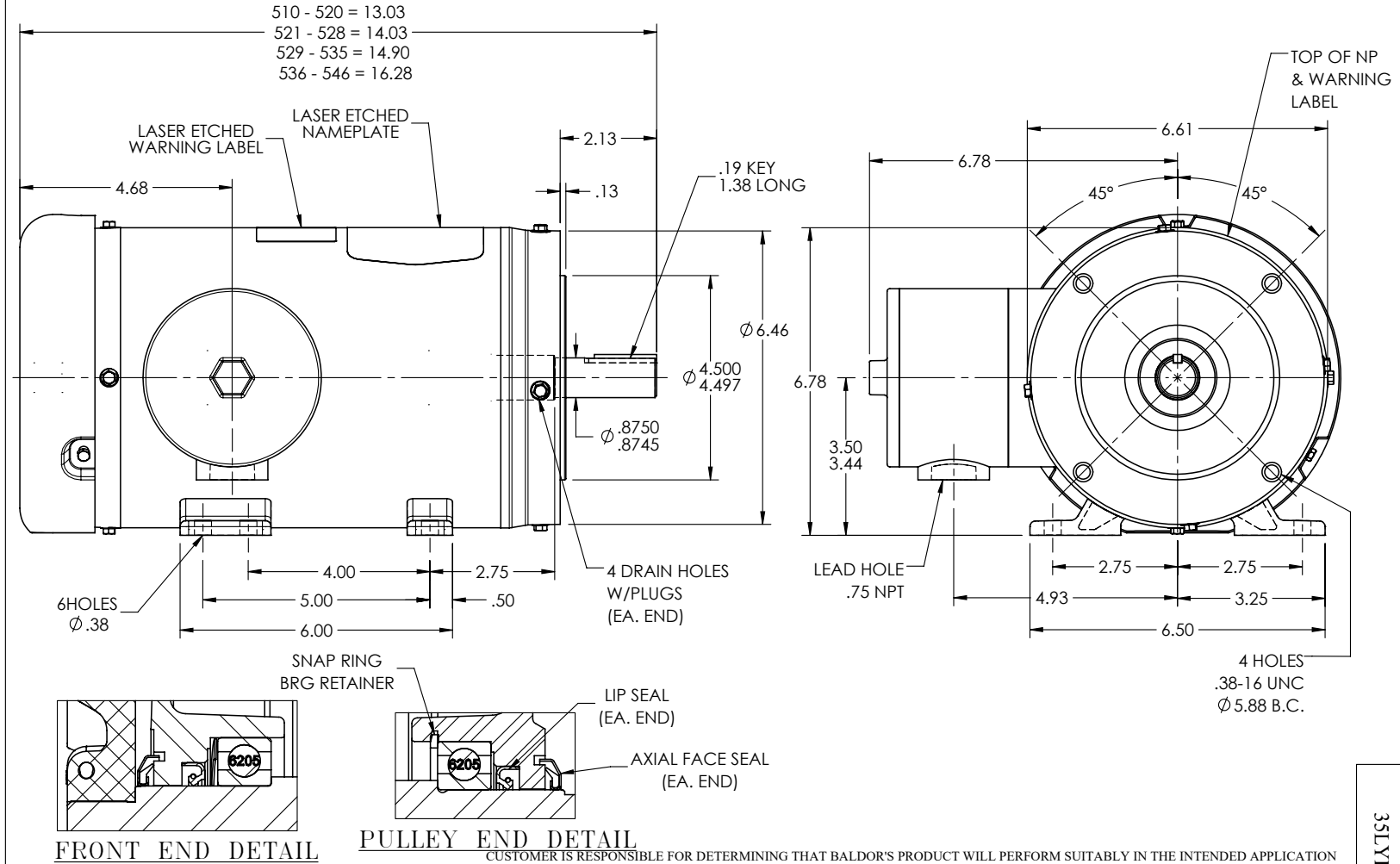
Typical performance - not guaranteed values.

TORQUES (LB-FT): PO=17.5 PU=10.7 LR=17.3 LRA=39.4



8/10/2024 ACPERF, record # 40792

35LYE4743



REV. DESC: REMOVE FACE DRAINS & DRAIN FTG; ADD DRAIN PLUG			
REV: D	VERSION: 04	REVISED: 10:50:10 01/27/2023	TDR: 000001202627
35LYE4743		MODEL NO. 35LYE4743	REF: -
		BY: ENSTEK0	

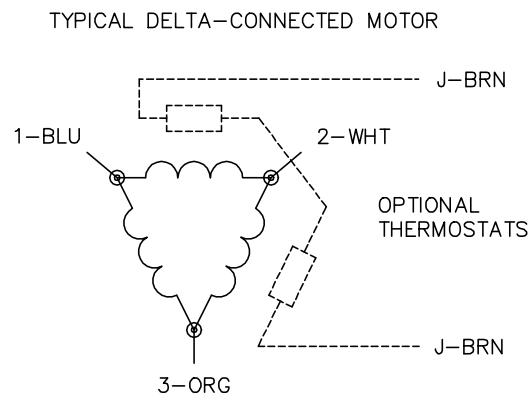
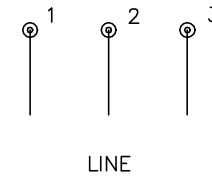
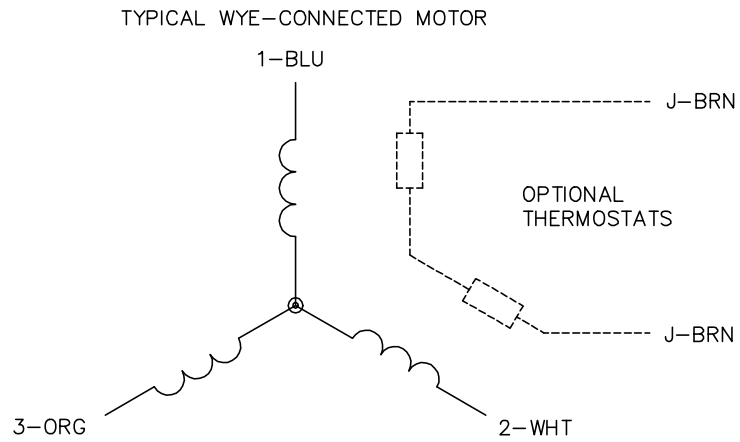
BALDOR

STD HORZ 143-5TC TEFC 35M WD11/12

35LYE4743

CUSTOMER IS RESPONSIBLE FOR DETERMINING THAT BALDOR'S PRODUCT WILL PERFORM SUITABLY IN THE INTENDED APPLICATION

CD0006



NOTES:

1. THREE LEAD MOTOR MAY BE EITHER WYE CONNECTED OR DELTA CONNECTED.
2. INTERCHANGE ANY TWO LINE LEADS TO REVERSE ROTATION.
3. OPTIONAL THERMOSTATS ARE PROVIDED WHEN SPECIFIED.
4. ACTUAL NUMBER OF INTERNAL PARALLEL CIRCUITS MAY VARY.
5. LEAD COLORS ARE OPTIONAL. LEADS MUST BE NUMBERED AS SHOWN.

CD0006

REV. DESC: ADD CLASS CONN00000007		
REV. LTR: E	VERSION: 01	TDR: 000001099922
FILE: \AAA\00005\141	REVISED: 10:24:49 02/19/2019	BY: ENBRIRO
MTL: -		© □

BALDOR - RELIANCE®

3PH, SV, 3 LEADS, WYE OR DELTA CONNECTED

SH 1 of 1