

**BALDOR • RELIANCE**

---

# Customer information packet

## CFSWDM3558-5E

2HP, 1750RPM, 3PH, 60HZ, 56C, 3528M, TEFC, F1, N

Class - None

Division - Not Applicable

Copyright © All product information within this document is subject to ABB Motors and Mechanical Inc. copyright © protection, unless otherwise noted.

4/1/2023 3:09:35 AM

## Specifications

Enclosure	TEFC
Frame	56C
Frame Material	Stainless Steel
Frequency	60.00 Hz
Motor Letter Type	Three Phase
Output @ Frequency	2.000 HP @ 60 HZ
Phase	3
Synchronous Speed @ Frequency	1800 RPM @ 60 HZ
Voltage @ Frequency	575.0 V @ 60 HZ
XP Class and Group	None
XP Division	Not Applicable
Agency Approvals	UR CSA NEMA PREMIUM
Ambient Temperature	40 °C
Auxillary Box	No Auxillary Box
Auxillary Box Lead Termination	None
Base Indicator	Rigid
Bearing Grease Type	Polyrex EM (-20F +300F)
Blower	None
Current @ Voltage	2.300 A @ 575.0 V
Design Code	B
Drip Cover	No Drip Cover
Duty Rating	CONT
Efficiency @ 100% Load	86.5 %
Electrically Isolated Bearing	Not Electrically Isolated
Feedback Device	NO FEEDBACK
Front Shaft Indicator	None
Heater Indicator	No Heater
High Voltage Full Load Amps	2.3 a
Insulation Class	H
Inverter Code	Inverter Ready

## Part detail

Revision	E
Type	AC
Mech. spec.	35E4741
Base	
Status	PRD/A
Elec. spec.	35WGL784
Layout	35LYE4741
Eff. date	08-26-2022
CD Diagram	CD0006
Poles	04
Leads	3#18
Proprietary	False
Created date	07-18-2018

<b>KVA Code</b>	L
<b>Lifting Lugs</b>	No Lifting Lugs
<b>Locked Bearing Indicator</b>	Locked Bearing
<b>Motor Finish</b>	UNPAINTED
<b>Motor Lead Quantity/Wire Size</b>	3 @ 18 AWG
<b>Motor Lead Termination</b>	Flying Leads
<b>Motor Standards</b>	NEMA
<b>Motor Type</b>	3528M
<b>Mounting Arrangement</b>	F1
<b>Number of Poles</b>	4
<b>Overall Length</b>	13.96 IN
<b>Power Factor</b>	75
<b>Product Family</b>	WD All SS Encapsulated
<b>Pulley End Bearing Type</b>	Sealed Bearing
<b>Pulley Face Code</b>	C-Face
<b>Pulley Shaft Indicator</b>	Standard
<b>Rodent Screen</b>	None
<b>RoHS Status</b>	ROHS COMPLIANT
<b>Service Factor</b>	1.15
<b>Shaft Diameter</b>	0.625 IN
<b>Shaft Ground Indicator</b>	No Shaft Grounding
<b>Shaft Rotation</b>	Reversible
<b>Shaft Slinger Indicator</b>	No Slinger
<b>Speed</b>	1750 rpm
<b>Speed Code</b>	Single Speed
<b>Starting Method</b>	Direct on line
<b>Thermal Device - Bearing</b>	None
<b>Thermal Device - Winding</b>	None
<b>Vibration Sensor Indicator</b>	No Vibration Sensor
<b>Winding Thermal 1</b>	None
<b>Winding Thermal 2</b>	None

**Nameplate**

<b>NP1953A05</b>									
<b>CAT.NO.</b>	CFSWDM3558-5E								
<b>SPEC.</b>	35E4741L784G1								
<b>HP</b>	2								
<b>VOLTS</b>	575								
<b>AMP</b>	2.3								
<b>RPM</b>	1750								
<b>FRAME</b>	56C		<b>HZ</b>	60		<b>PH</b>	3		
<b>SER.F.</b>	1.15	<b>CODE</b>	L	<b>DES</b>	B	<b>CLASS</b>	H		
<b>NEMA-NOM-EFF</b>	86.5	<b>PF</b>	75						
<b>RATING</b>	40C AMB-CONT								
<b>CC</b>	010A	<b>USABLE AT 208V</b>							
<b>DE</b>	6205	<b>ODE</b>	6205						
<b>ENCL</b>	TEFC	<b>SN</b>							
	4:1CT, 10:1VT								

**AC Induction Motor Performance Data**

Record # 71804

Typical performance - not guaranteed values

<b>Winding:</b> 35WGL784-R001		<b>Type:</b> 3528M		<b>Enclosure:</b> TEFC	
<b>Nameplate Data</b>			<b>575 V, 60 Hz: Single Voltage Motor</b>		
<b>Rated Output (HP)</b>	2	<b>Full Load Torque</b>	6.02 LB-FT		
<b>Volts</b>	575	<b>Start Configuration</b>	direct on line		
<b>Full Load Amps</b>	2.3	<b>Breakdown Torque</b>	25.18 LB-FT		
<b>R.P.M.</b>	1750	<b>Pull-up Torque</b>	20.49 LB-FT		
<b>Hz</b>	60	<b>Locked-rotor Torque</b>	24.29 LB-FT		
<b>NEMA Design Code</b>	B	<b>Starting Current</b>	19.12 A		
<b>Service Factor (S.F.)</b>	1.15	<b>No-load Current</b>	1.39 A		
<b>NEMA Nom. Eff.</b>	86.5	<b>Line-line Res. @ 25°C</b>	11.5 Ω		
<b>Rating - Duty</b>	40C	<b>Temp. Rise @ Rated Load</b>	56°C		
<b>S.F. Amps</b>	AMB-CONT	<b>Temp. Rise @ S.F. Load</b>	68°C		
		<b>Locked-rotor Power Factor</b>	49.3		
		<b>Rotor inertia</b>	0.165 LB-FT <sup>2</sup>		

**Load Characteristics 575 V, 60 Hz, 2 HP**

<b>% of Rated Load</b>	<b>25</b>	<b>50</b>	<b>75</b>	<b>100</b>	<b>125</b>	<b>150</b>	<b>S.F.</b>
<b>Power Factor</b>	33	53	67	75	80	83	78
<b>Efficiency</b>	77.8	85.3	87	87	86.2	84.8	86.5
<b>Speed</b>	1788	1776	1763	1749	1734	1718	1740
<b>Line amperes</b>	1.47	1.65	1.94	2.3	2.71	3.19	2.55

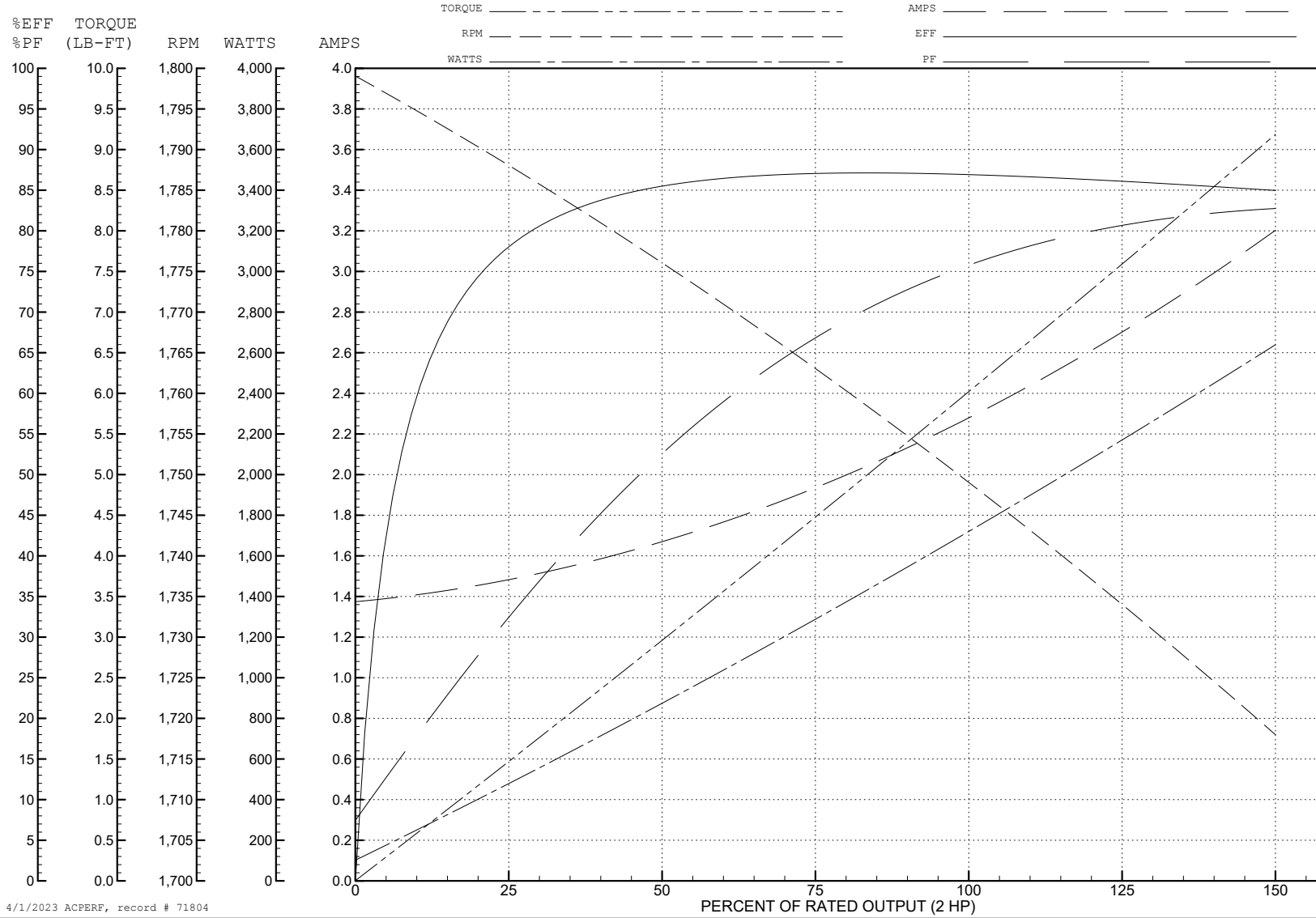
ABB Motors and Mechanical Inc.

WINDING # 35WGL784

Typical performance - not guaranteed values.

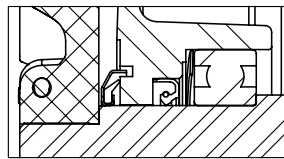
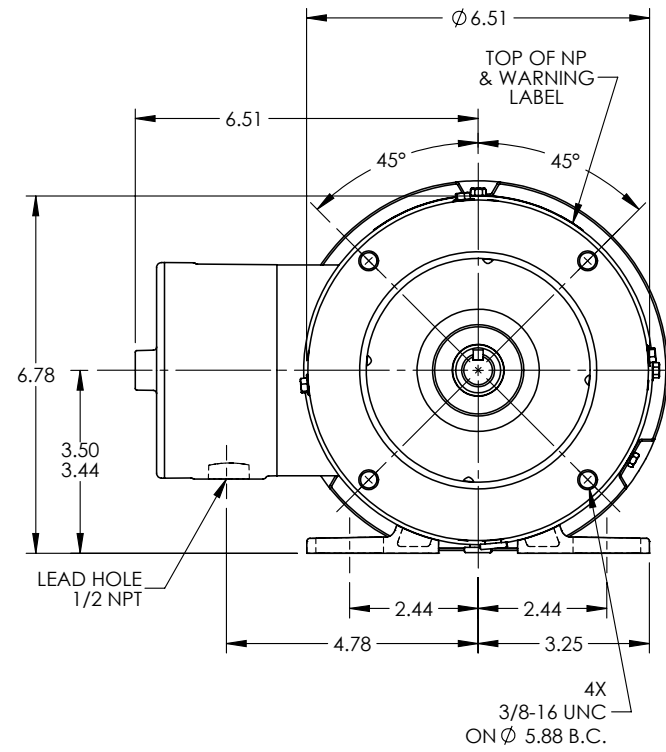
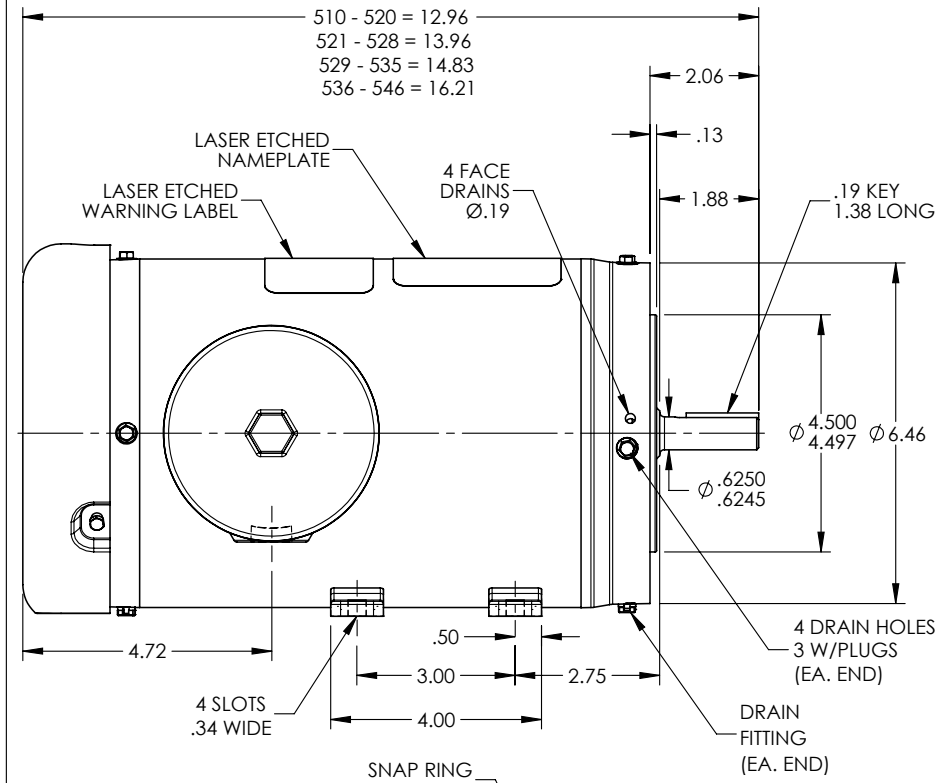
2 HP 3 PH 60 HZ 1750 RPM 575 V 3528M

TORQUES (LB-FT): PO=25.18 PU=20.49 LR=24.29 LRA=19.12

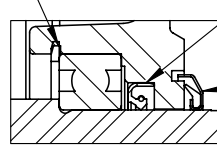


4/1/2023 ACPERF, record # 71804

35LYE4741



FRONT END DETAIL



PULLEY END DETAIL

CUSTOMER IS RESPONSIBLE FOR DETERMINING THAT BALDOR'S PRODUCT WILL PERFORM SUITABLY IN THE INTENDED APPLICATION

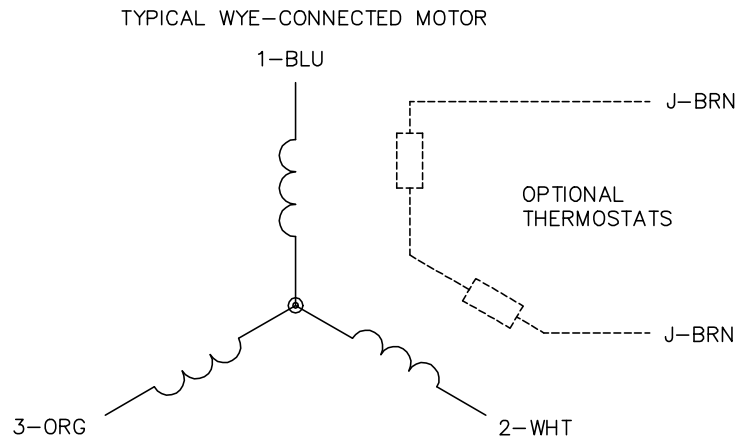
REV. DESC: UPDATE 3D MODEL BOM PER REV D, NO CHG TO 2D PRINT			
REV: B	VERSION: 02	REVISED: 09:28:04 03/14/2022	TDR: 000001187335
MODEL NO. 35LYE4741		REF: -	
BY: USBUFRA			

**BALDOR**

STD HORZ 56C TEFC 35M WD11/12

35LYE4741

CD0006



NOTES:

1. THREE LEAD MOTOR MAY BE EITHER WYE CONNECTED OR DELTA CONNECTED.
2. INTERCHANGE ANY TWO LINE LEADS TO REVERSE ROTATION.
3. OPTIONAL THERMOSTATS ARE PROVIDED WHEN SPECIFIED.
4. ACTUAL NUMBER OF INTERNAL PARALLEL CIRCUITS MAY VARY.
5. LEAD COLORS ARE OPTIONAL. LEADS MUST BE NUMBERED AS SHOWN.

CD0006

REV. DESC: ADD CLASS CONN00000007		
REV. LTR: E	VERSION: 01	TDR: 000001099922
FILE: \AAA\00005\141	REVISED: 10:24:49 02/19/2019	BY: ENBRIRO
MTL: -	© □	

**BALDOR - RELIANCE®**

3PH, SV, 3 LEADS, WYE OR DELTA CONNECTED

SH 1 of 1