

BALDOR • RELIANCE

Customer information packet

CFSWDM3554-5E

1.5HP, 1770RPM, 3PH, 60HZ, 56C, 3526M, TEFC, F1

Class - None

Division - Not Applicable

Specifications

Enclosure	TEFC
Frame	56C
Frame Material	Stainless Steel
Frequency	60.00 Hz
Haz Area Class and Group	None
Haz Area Division	Not Applicable
Motor Letter Type	Three Phase
Output @ Frequency	1.500 HP @ 60 HZ
Phase	3
Synchronous Speed @ Frequency	1800 RPM @ 60 HZ
Voltage @ Frequency	575.0 V @ 60 HZ
Agency Approvals	CSA EEV WEEE NEMA_PREMIUM NEMA PREMIUM CURUSEEV
Ambient Temperature	40 °C
Auxillary Box	No Auxillary Box
Auxillary Box Lead Termination	None
Base Indicator	Rigid
Bearing Grease Type	Polyrex EM (-20F +300F)
Blower	None
Current @ Voltage	1.750 A @ 575.0 V
Design Code	B
Drip Cover	No Drip Cover
Duty Rating	CONT
Efficiency @ 100% Load	86.5 %
Electrically Isolated Bearing	Not Electrically Isolated
Feedback Device	NO FEEDBACK
Front Shaft Indicator	None
Heater Indicator	No Heater
High Voltage Full Load Amps	1.8 a

Part detail

Revision	A
Type	AC
Mech. spec.	35E4741
Base	
Status	PRD/A
Elec. spec.	35WGZ955
Layout	35LYE4741
Eff. date	08-14-2023
CD Diagram	CD0006
Poles	04
Leads	3#18
Proprietary	False
Created date	03-11-2022

Insulation Class	H
Inverter Code	Inverter Ready
KVA Code	L
Lifting Lugs	No Lifting Lugs
Locked Bearing Indicator	Locked Bearing
Max Speed	2700 rpm
Motor Finish	UNPAINTED
Motor Lead Quantity/Wire Size	3 @ 18 AWG
Motor Lead Termination	Flying Leads
Motor Standards	NEMA
Motor Type	3526M
Mounting Arrangement	F1
Number of Poles	4
Overall Length	13.96 IN
Power Factor	73
Product Family	WD All SS Encapsulated
Pulley End Bearing Type	Sealed Bearing
Pulley Face Code	C-Face
Pulley Shaft Indicator	Standard
Rodent Screen	None
Service Factor	1.15
Shaft Diameter	0.625 IN
Shaft Ground Indicator	No Shaft Grounding
Shaft Rotation	Reversible
Shaft Slinger Indicator	No Slinger
Speed	1770 rpm
Speed Code	Single Speed
Starting Method	Direct on line
Thermal Device - Bearing	None
Thermal Device - Winding	None
Vibration Sensor Indicator	No Vibration Sensor
Winding Thermal 1	None
Winding Thermal 2	None

Nameplate

NP4427AAA02

CAT #	CFSWDM3554-5E	LBS	
SPEC	35E4741Z955G1	ENCL	TEFC
SER #		CC	010A IP 69
HP	1.5	MAG CUR	1.1
VOLTS	575	NEMA NOM. EFF	86.5
AMPS	1.75	PF	73
RATING	40C AMB-CONT		
RPM	1770	MAX RPM	2700
FRAME	56C	HZ	60
		CODE	L
		CLASS	H
SER.F.	1.15	SF AMP	1.9
		PH	3
		DES	B
DE	6205	ODE	6205
LUBRICATION	POLYREX EM		
ID LOGO	INVERTER TYPE	VPWM	CHP 60 TO 90 1.5:1
ID LOGO	WK2 0.189 CT 15	TO 60	4:1
ID LOGO	SL HZ 1 VT 3	TO 60	20:1
		QR	
YR			

AC Induction Motor Performance Data

Record # 91710

Typical performance - not guaranteed values

Winding: 35WGZ955-R001		Type: 3524M		Enclosure: TEFC			
Nameplate Data			575 V, 60 Hz: Single Voltage Motor				
Rated Output (HP)	1.5	Full Load Torque	4.47 LB-FT				
Volts	575	Start Configuration	direct on line				
Full Load Amps	1.7	Breakdown Torque	18.3 LB-FT				
R.P.M.	1770	Pull-up Torque	9.2 LB-FT				
Hz	60 Phase	3	Locked-rotor Torque	12.1 LB-FT			
NEMA Design Code	B	KVA Code	L	Starting Current	15.2 A		
Service Factor (S.F.)	1.15		No-load Current	1.11 A			
NEMA Nom. Eff.	86.5	Power Factor	76	Line-line Res. @ 25°C	18.8 Ω		
Rating - Duty	40C AMB-CONT		Temp. Rise @ Rated Load	47°C			
S.F. Amps	1.85		Temp. Rise @ S.F. Load	55°C			
			Locked-rotor Power Factor	57.6			
			Rotor inertia	0.188 lb-ft ²			

Load Characteristics 575 V, 60 Hz, 1.5 HP

% of Rated Load	25	50	75	100	125	150	S.F.
Power Factor	33	52	65	74	79	83	80
Efficiency	76.4	84.4	86.6	86.8	86.2	84.9	85.5
Speed	1792	1785	1777	1768	1760	1750	1759
Line amperes	1.15	1.29	1.51	1.76	2.06	2.41	1.9

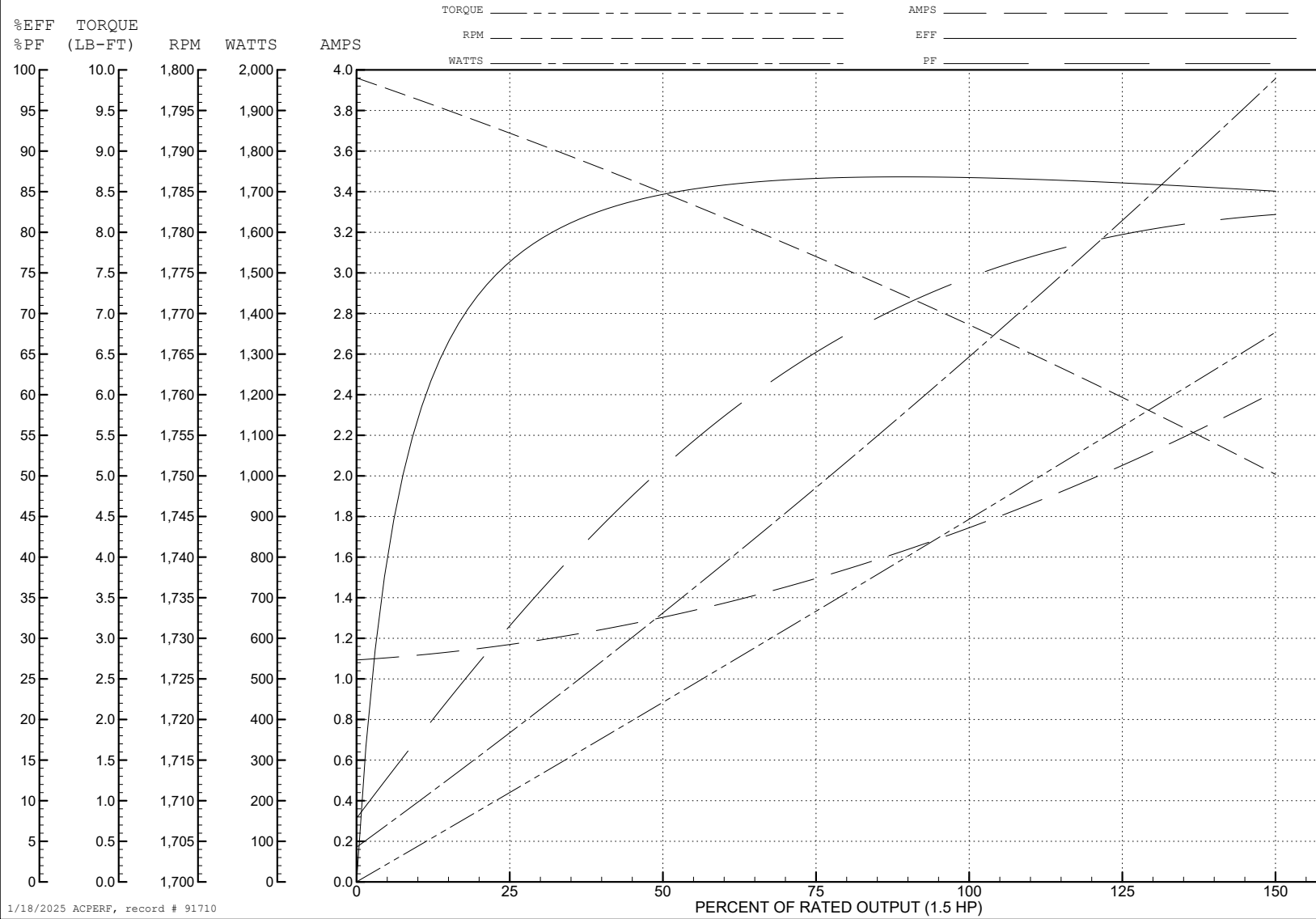
ABB Motors and Mechanical Inc.

WINDING # 35WGZ955

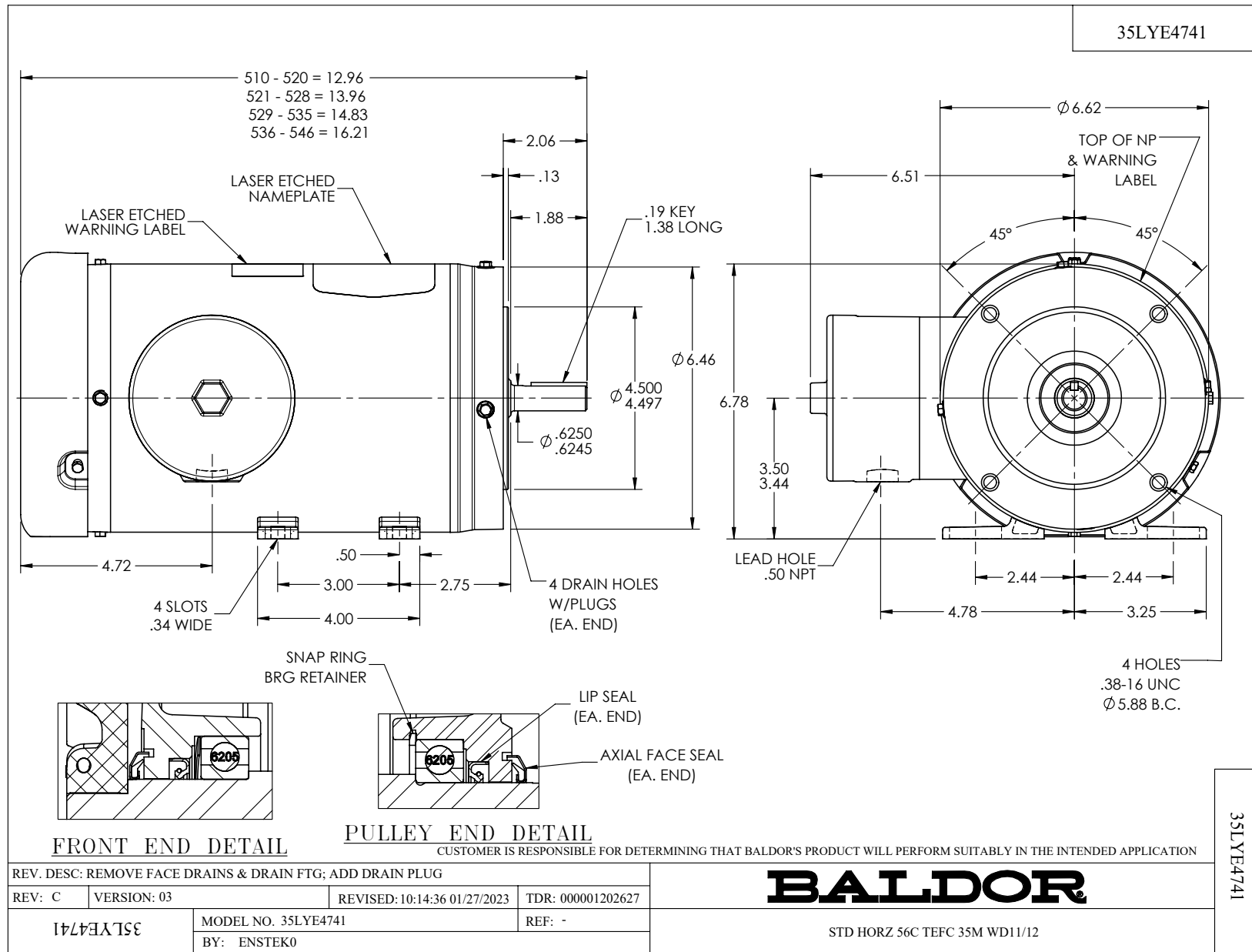
1.5 HP 3 PH 60 HZ 1770 RPM 575 V 3524M

Typical performance - not guaranteed values.

TORQUES (LB-FT): PO=18.3 PU=9.2 LR=12.1 LRA=15.2



1/18/2025 ACPERF, record # 91710



CD0006



NOTES:

1. THREE LEAD MOTOR MAY BE EITHER WYE CONNECTED OR DELTA CONNECTED.
2. INTERCHANGE ANY TWO LINE LEADS TO REVERSE ROTATION.
3. OPTIONAL THERMOSTATS ARE PROVIDED WHEN SPECIFIED.
4. ACTUAL NUMBER OF INTERNAL PARALLEL CIRCUITS MAY VARY.
5. LEAD COLORS ARE OPTIONAL. LEADS MUST BE NUMBERED AS SHOWN.

CD0006

REV. DESC: ADD CLASS CONN00000007		
REV. LTR: E	VERSION: 01	TDR: 000001099922
FILE: \AAA\00005\141	REVISED: 10:24:49 02/19/2019	BY: ENBRIRO
MTL: -	© □	

BALDOR - RELIANCE®

3PH, SV, 3 LEADS, WYE OR DELTA CONNECTED

SH 1 of 1