



Customer information packet

CFSWDM3542-5E

.75HP, 1765RPM, 3PH, 60HZ, 56C, 3514M, TENV, F1

Class - None

Division - Not Applicable

Specifications

Enclosure	TENV
Frame	56C
Frame Material	Stainless Steel
Frequency	60.00 Hz
Haz Area Class and Group	None
Haz Area Division	Not Applicable
Motor Letter Type	Three Phase
Output @ Frequency	.750 HP @ 60 HZ
Phase	3
Synchronous Speed @ Frequency	1800 RPM @ 60 HZ
Voltage @ Frequency	575.0 V @ 60 HZ
Agency Approvals	CSA WEEE NEMA_PREMIUM NEMA PREMIUM CURUSEEV
Ambient Temperature	40 °C
Auxillary Box	No Auxillary Box
Auxillary Box Lead Termination	None
Base Indicator	Rigid
Bearing Grease Type	Polyrex EM (-20F +300F)
Blower	None
Current @ Voltage	.930 A @ 575.0 V
Design Code	B
Drip Cover	No Drip Cover
Duty Rating	CONT
Efficiency @ 100% Load	82.5 %
Electrically Isolated Bearing	Not Electrically Isolated
Feedback Device	NO FEEDBACK
Front Shaft Indicator	None
Heater Indicator	No Heater
High Voltage Full Load Amps	0.9 a

Part detail

Revision	C
Type	AC
Mech. spec.	35E4735
Base	
Status	PRD/A
Elec. spec.	35WGZ949
Layout	35LYE4735
Eff. date	07-15-2024
CD Diagram	CD0006
Poles	04
Leads	3#18
Proprietary	False
Created date	03-11-2022

Insulation Class	H
Inverter Code	Inverter Duty
KVA Code	K
Lifting Lugs	No Lifting Lugs
Locked Bearing Indicator	Locked Bearing
Max Speed	2700 rpm
Motor Finish	UNPAINTED
Motor Lead Quantity/Wire Size	3 @ 18 AWG
Motor Lead Termination	Flying Leads
Motor Standards	NEMA
Motor Type	3514M
Mounting Arrangement	F1
Number of Poles	4
Overall Length	11.78 IN
Power Factor	73
Product Family	WD All SD Non-Encapsulated
Pulley End Bearing Type	Sealed Bearing
Pulley Face Code	C-Face
Pulley Shaft Indicator	Standard
Rodent Screen	None
Service Factor	1.15
Shaft Diameter	0.625 IN
Shaft Ground Indicator	No Shaft Grounding
Shaft Rotation	Reversible
Shaft Slinger Indicator	No Slinger
Speed	1765 rpm
Speed Code	Single Speed
Starting Method	Direct on line
Thermal Device - Bearing	None
Thermal Device - Winding	None
Vibration Sensor Indicator	No Vibration Sensor
Winding Thermal 1	None
Winding Thermal 2	None

Nameplate

NP4427ALA02

CAT #	CFSWDM3542-5E	WT	36	LBS	
SPEC	35E4735Z949G1	ENCL	TENV		
SER #		CC		IP	69
HP	.75	MAG CUR	.59		
VOLTS	575	NEMA NOM. EFF		82.5	
AMPS	.93	PF	73		
RATING	40C AMB-CONT				
RPM	1765	MAX RPM	2700		
FRAME	56C	HZ	60	CODE	K
		CLASS	H		
SER.F.	1.15	SF AMP	1.02	PH	3
		DES	B		
DE	6205	ODE	6205		
LUBRICATION	POLYREX EM				
ID LOGO	INVERTER TYPE	VPWM	CHP	60	TO 90 1.5:1
ID LOGO	WK2 0.101	CT 15	TO 60	4:1	
ID LOGO	SL HZ 1.2	VT 3	TO 60	20:1	
				QR	
YR					

AC Induction Motor Performance Data

Record # 91700

Typical performance - not guaranteed values

Winding: 35WGZ949-R001		Type: 3514M		Enclosure: TENV	
Nameplate Data			575 V, 60 Hz: Single Voltage Motor		
Rated Output (HP)	.75	Full Load Torque	2.25 LB-FT		
Volts	575	Start Configuration	direct on line		
Full Load Amps	.93	Breakdown Torque	7.36 LB-FT		
R.P.M.	1765	Pull-up Torque	4.05 LB-FT		
Hz	60	Locked-rotor Torque	4.68 LB-FT		
NEMA Design Code	B	Starting Current	6.16 A		
Service Factor (S.F.)	1.15	No-load Current	0.589 A		
NEMA Nom. Eff.	82.5	Line-line Res. @ 25°C	49.2 Ω		
Rating - Duty	40C	Temp. Rise @ Rated Load	56°C		
S.F. Amps	1.02	Temp. Rise @ S.F. Load	66°C		
		Locked-rotor Power Factor	65.9828		
		Rotor inertia	0.101 lb-ft ²		

Load Characteristics 575 V, 60 Hz, 0.75 HP

% of Rated Load	25	50	75	100	125	150	S.F.
Power Factor	34	52	65	74	80	83	78
Efficiency	71.1	80.8	83.1	83.6	82.8	81	83.1
Speed	1790	1782	1773	1763	1753	1740	1757
Line amperes	0.61	0.682	0.782	0.913	1.07	1.26	1.01

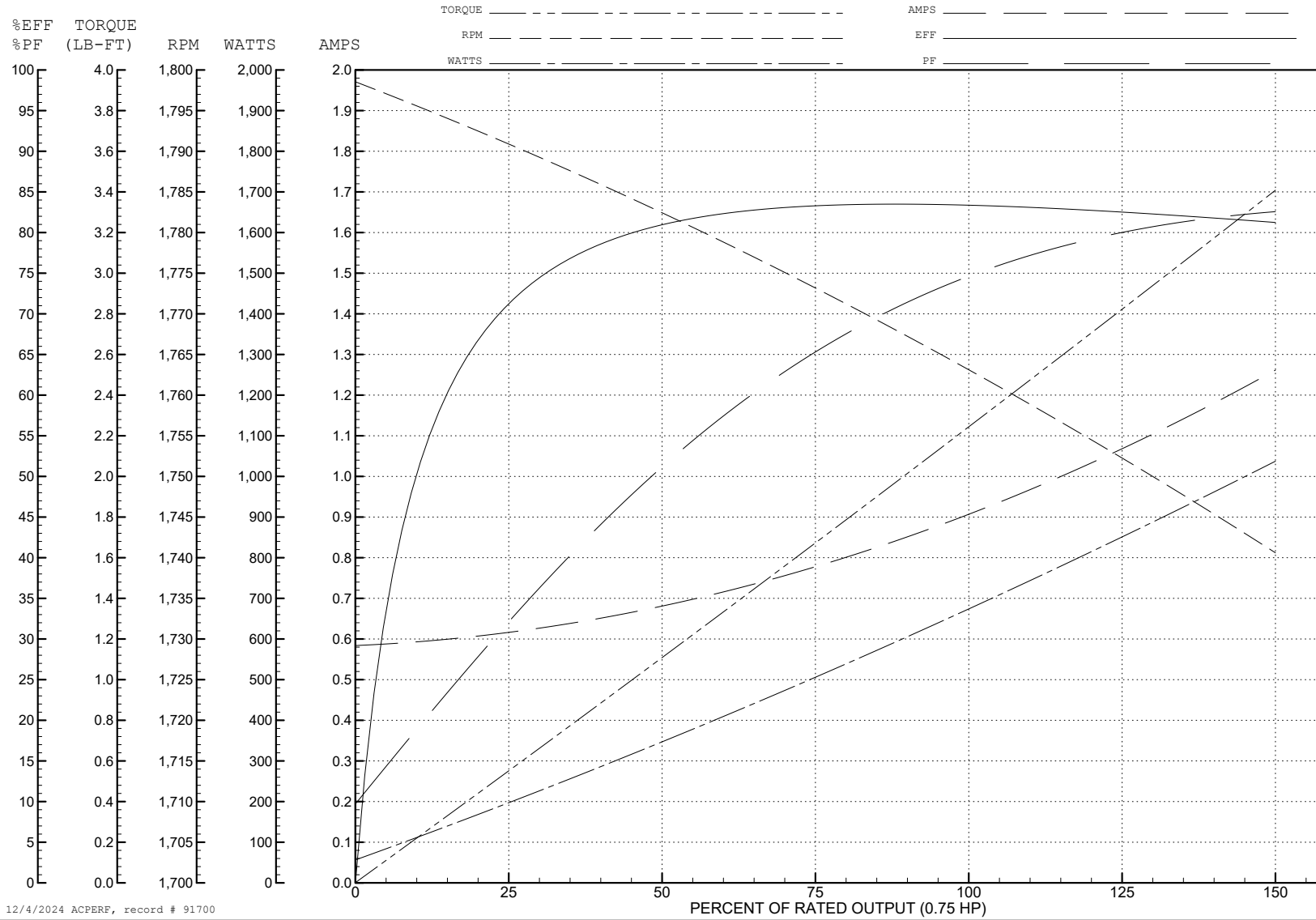
ABB Motors and Mechanical Inc.

WINDING # 35WGZ949

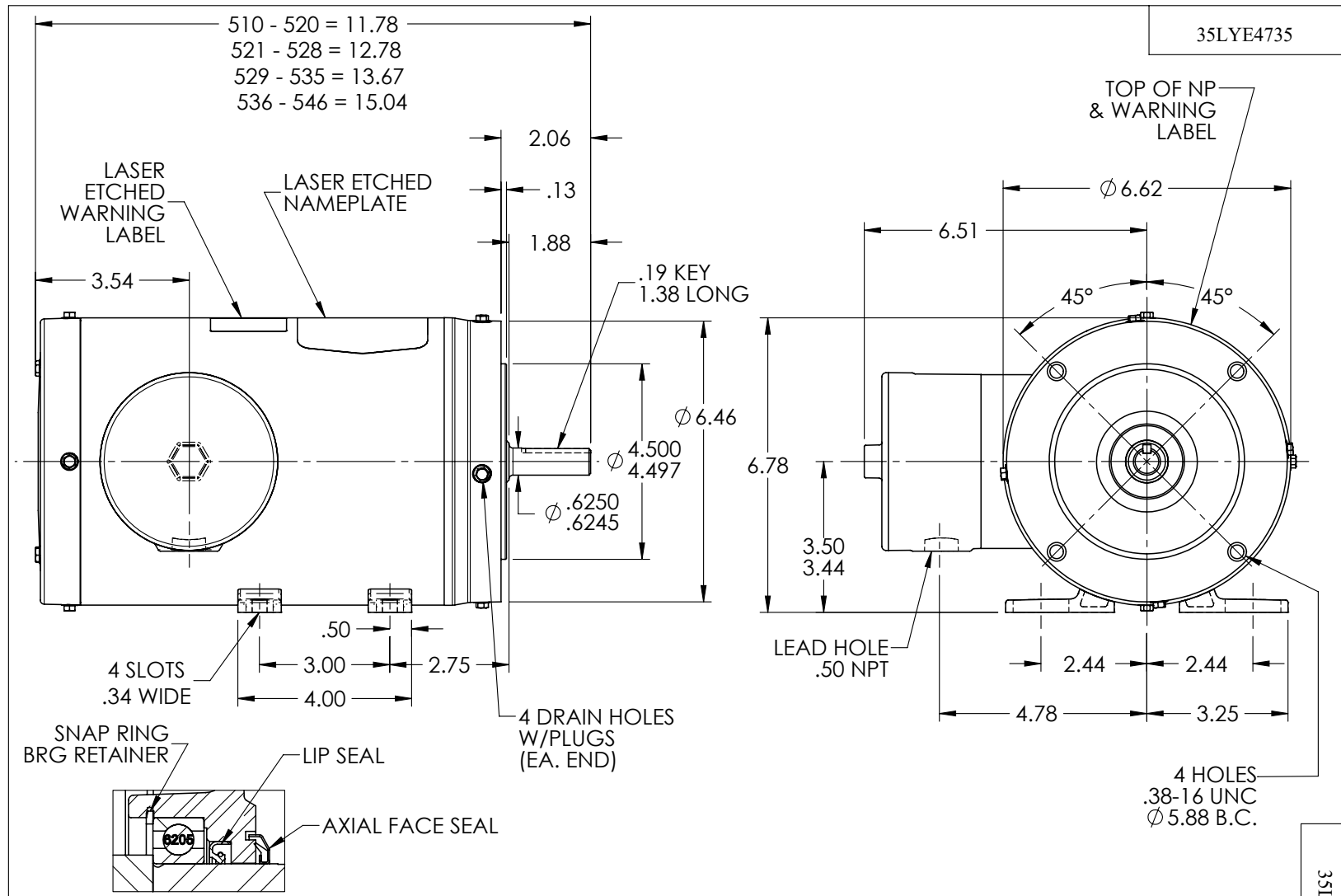
0.75 HP 3 PH 60 HZ 1765 RPM 575 V 3514M

Typical performance - not guaranteed values.

TORQUES (LB-FT): PO=7.36 PU=4.05 LR=4.68 LRA=6.16



12/4/2024 ACPERF, record # 91700



PULLEY END DETAIL

CUSTOMER IS RESPONSIBLE FOR DETERMINING THAT THE PRODUCT WILL PERFORM SUITABLY IN THE INTENDED APPLICATION

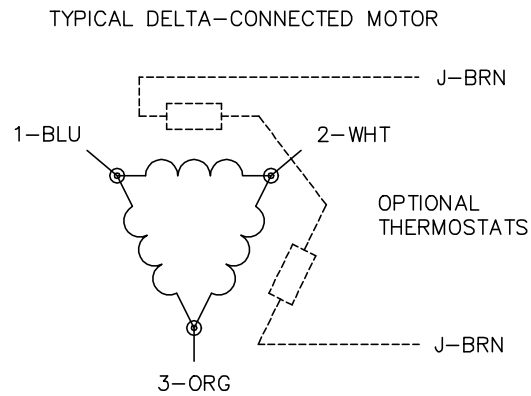
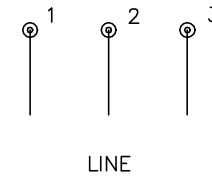
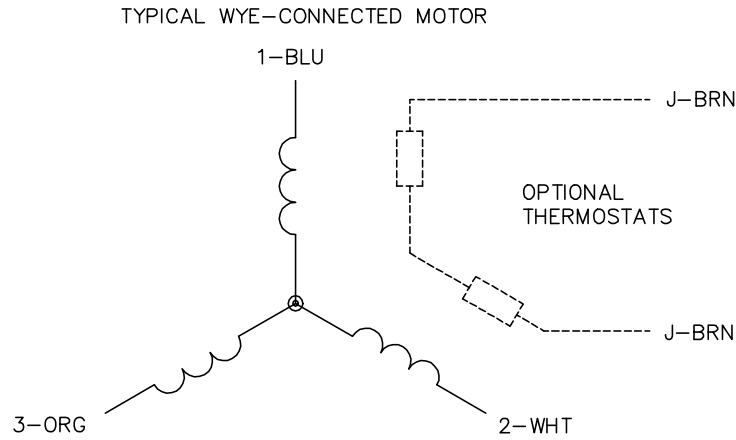
REV. DESC: REMOVE FACE DRAINS & DRAIN FTG; ADD DRAIN PLUG			
REV: D	VERSION: 04	REVISED: 04:20:39 01/26/2023	TDR: 000001202627
35LYE4735		MODEL NO. 35LYE4735	REF: -
		BY: ENSTEK0	

BALDOR - RELIANCE®

STD HORZ 56C TENV 35M WD11/12

35LYE4735

CD0006



NOTES:

1. THREE LEAD MOTOR MAY BE EITHER WYE CONNECTED OR DELTA CONNECTED.
2. INTERCHANGE ANY TWO LINE LEADS TO REVERSE ROTATION.
3. OPTIONAL THERMOSTATS ARE PROVIDED WHEN SPECIFIED.
4. ACTUAL NUMBER OF INTERNAL PARALLEL CIRCUITS MAY VARY.
5. LEAD COLORS ARE OPTIONAL. LEADS MUST BE NUMBERED AS SHOWN.

CD0006

REV. DESC: ADD CLASS CONN00000007		
REV. LTR: E	VERSION: 01	TDR: 000001099922
FILE: \AAA\00005\141	REVISED: 10:24:49 02/19/2019	BY: ENBRIRO
MTL: -	© □	

BALDOR - RELIANCE®

3PH, SV, 3 LEADS, WYE OR DELTA CONNECTED

SH 1 of 1