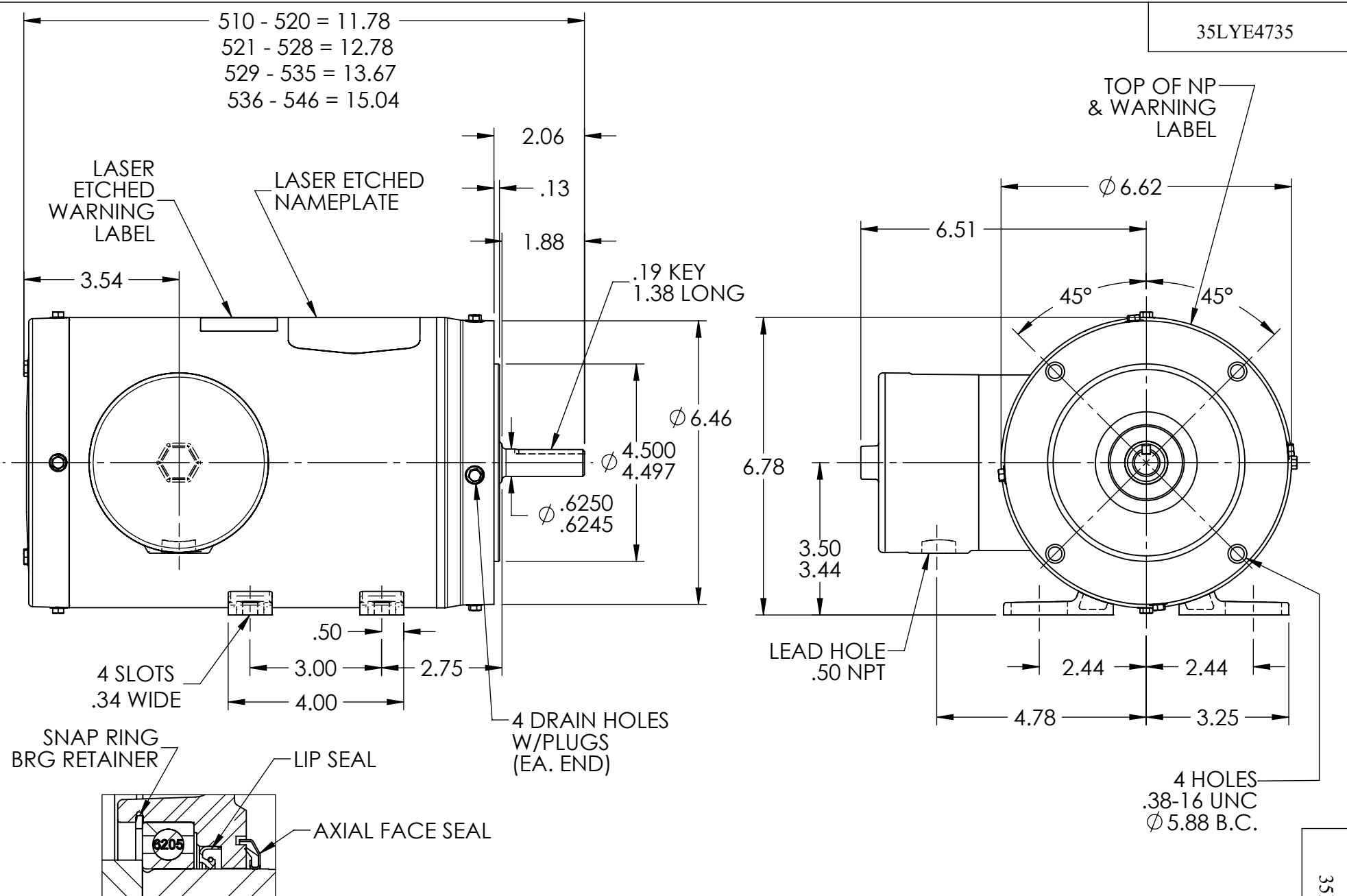


35LYE4735



PULLEY END DETAIL

CUSTOMER IS RESPONSIBLE FOR DETERMINING THAT THE PRODUCT WILL PERFORM SUITABLY IN THE INTENDED APPLICATION

REV. DESC: REMOVE FACE DRAINS & DRAIN FTG; ADD DRAIN PLUG			
REV: D	VERSION: 04	REVISED: 04:20:39 01/26/2023	TDR: 000001202627
MODEL NO. 35LYE4735		REF: -	
BY: ENSTEK0			

BALDOR - RELIANCE®

STD HORZ 56C TENV 35M WD11/12

35LYE4735