

ABB BALDOR RELIANCE III

Customer information packet

CFSWDM3537-5E

.5HP, 3500RPM, 3PH, 60HZ, 56C, 3516M, TENV, F1

Class - None

Division - Not Applicable

Specifications

Enclosure	TENV
Frame	56C
Frame Material	Stainless Steel
Frequency	60.00 Hz
Haz Area Class and Group	None
Haz Area Division	Not Applicable
Motor Letter Type	Three Phase
Output @ Frequency	.500 HP @ 60 HZ
Phase	3
Synchronous Speed @ Frequency	3600 RPM @ 60 HZ
Voltage @ Frequency	575.0 V @ 60 HZ
Agency Approvals	UR CSA
Ambient Temperature	40 °C
Auxiliary Box	NO AUXILLARY BOX
Auxiliary Box Lead Termination	None
Base Indicator	Rigid
Bearing Grease Type	Polyrex EM (-20F +300F)
Blower	None
Current @ Voltage	.600 A @ 575.0 V
Design Code	B
Drip Cover	No Drip Cover
Duty Rating	CONT
Efficiency @ 100% Load	84.0 %
Electrically Isolated Bearing	Not Electrically Isolated
Feedback Device	NO FEEDBACK
Front Face Code	Standard
Front Shaft Indicator	None
Heater Indicator	No Heater
High Voltage Full Load Amps	0.6 a
Insulation Class	H
Inverter Code	Not Inverter

Part Detail

Revision	L
Type	AC
Mech. spec.	35E4735
Base	
Status	PRD/A
Elec. spec.	35WGN872
Layout	35LYE4735
Eff. date	02-09-2026
CD Diagram	CD0006
Poles	02
Leads	3#18 15" LEAD LENGTH,0#0 DBL DIP & BAKE,0#0 PHASE INSULAY
Proprietary	False
Created date	03-16-2018

KVA Code	N
Lifting Lugs	No Lifting Lugs
Locked Bearing Indicator	Locked Bearing
Motor Finish	UNPAINTED
Motor Lead Exit	Ko Box
Motor Lead Quantity/Wire Size	@ 0 AWG 9 @ 18 AWG
Motor Lead Termination	Flying Leads
Motor Standards	NEMA
Motor Type	3516M
Mounting Arrangement	F1
Number of Poles	2
Overall Length	11.78 IN
Power Factor	84
Product Family	WD All SS Encapsulated
Pulley End Bearing Type	Sealed Bearing
Pulley Face Code	C-Face
Pulley Shaft Indicator	Standard
Rodent Screen	None
RoHS Status	ROHS COMPLIANT
Service Factor	1.15
Shaft Diameter	0.625 IN
Shaft Extension Location	Pulley End
Shaft Ground Indicator	No Shaft Grounding
Shaft Rotation	Reversible
Shaft Slinger Indicator	No Slinger
Speed	3500 rpm
Speed Code	Single Speed
Starting Method	Direct on line
Thermal Device - Bearing	None
Thermal Device - Winding	None
Vibration Sensor Indicator	No Vibration Sensor
Winding Thermal 1	None
Winding Thermal 2	None

Nameplate

NP4427AAA02

CAT #	CFSWDM3537-5E	WGT		LBS			
SPEC	35E4735N872G1	ENCL	TENV				
SER #		CC	010A	IP	69		
HP	.5	MAG CUR	.32				
VOLTS	575	NEMA NOM. EFF		84			
AMPS	.6	PF	84				
RATING	40C AMB-CONT						
RPM	3500	MAX RPM	5400				
FRAME	56C	HZ	60	CODE	N		
		CLASS		H			
SER.F.	1.15	SF AMP	.62	PH	3		
		DES		B			
DE	6205	ODE	6205				
LUBRICATION	POLYREX EM						
ID LOGO	INVERTER TYPE	VPWM	CHP	60	TO	90	1.5:1
ID LOGO	WK2	0.036	CT	15	TO	60	4:1
ID LOGO	SL HZ	1.7	VT	3	TO	60	20:1
YR					QR		

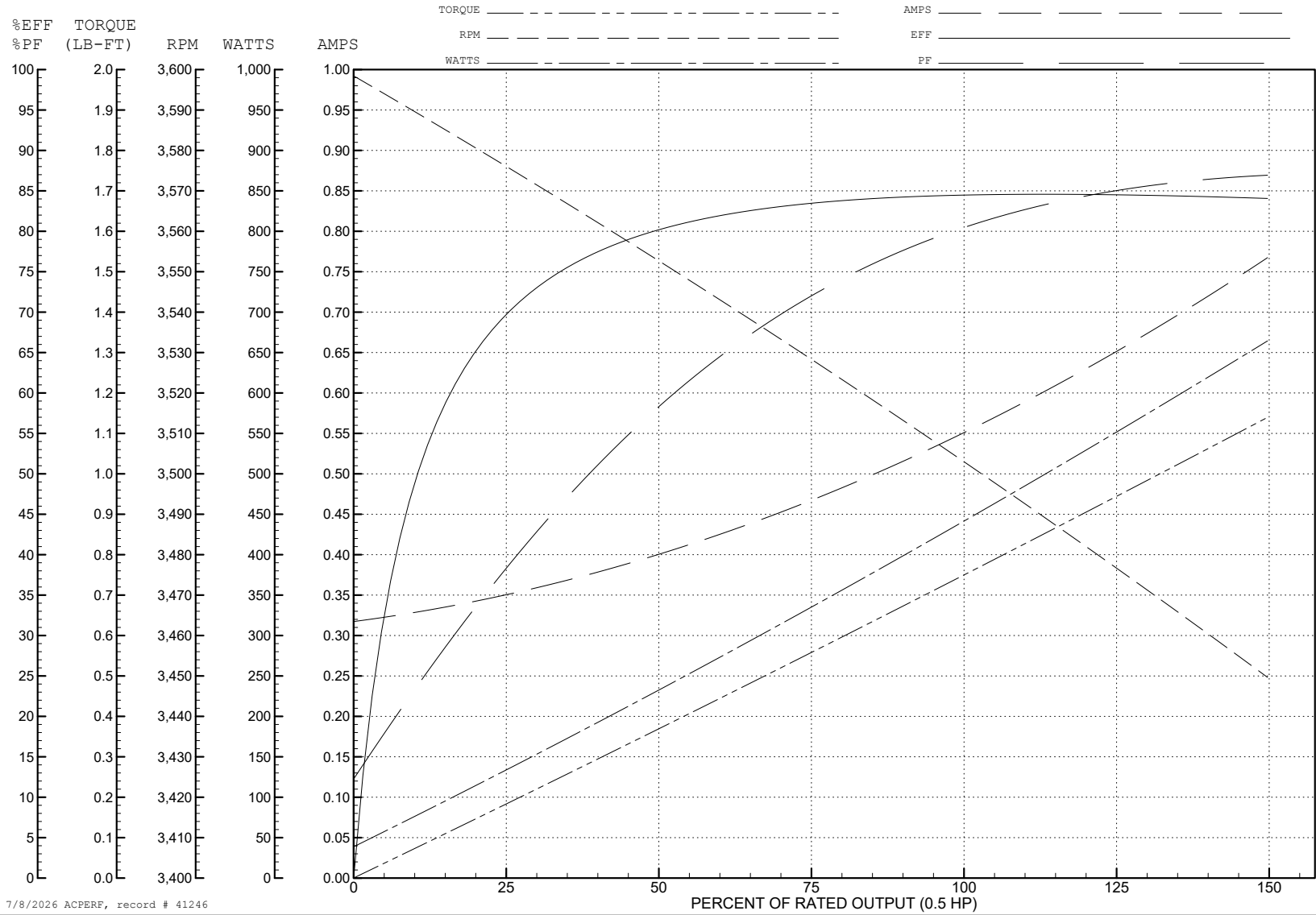
ABB Motors and Mechanical Inc.

WINDING # 35WGN872

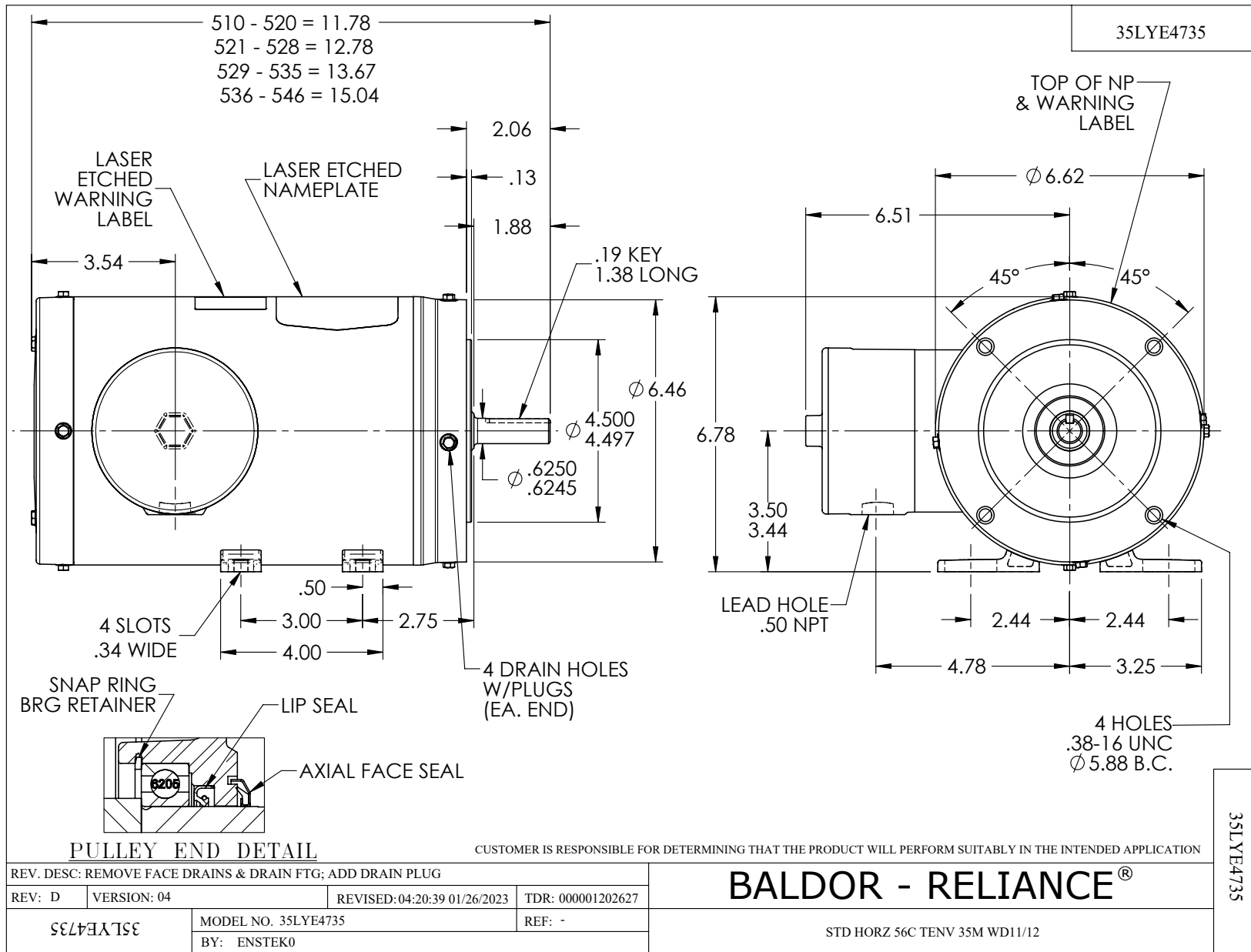
0.5 HP 3 PH 60 HZ 3500 RPM 575 V 3516M

Typical performance - not guaranteed values.

TORQUES (LB-FT): PO=3.91 PU=1.65 LR=3.18 LRA=5.93



7/8/2026 ACPERF, record # 41246



CD0006



NOTES:

1. THREE LEAD MOTOR MAY BE EITHER WYE CONNECTED OR DELTA CONNECTED.
2. INTERCHANGE ANY TWO LINE LEADS TO REVERSE ROTATION.
3. OPTIONAL THERMOSTATS ARE PROVIDED WHEN SPECIFIED.
4. ACTUAL NUMBER OF INTERNAL PARALLEL CIRCUITS MAY VARY.
5. LEAD COLORS ARE OPTIONAL. LEADS MUST BE NUMBERED AS SHOWN.

CD0006

REV. DESC: ADD CLASS CONN00000007		
REV. LTR: E	VERSION: 01	TDR: 000001099922
FILE: \AAA\00005\141	REVISED: 10:24:49 02/19/2019	BY: ENBRIRO
MTL: -		© □

BALDOR - RELIANCE®

3PH, SV, 3 LEADS, WYE OR DELTA CONNECTED

SH 1 of 1