

**BALDOR • RELIANCE**

---

# Customer information packet

## CFSWDM23933T-5E

56M 4P TEFC HOR 254TC S/P9-12 SE ENCAP

Class - None

Division - Not Applicable

## Specifications

Enclosure	TEFC
Frame	254TC
Frame Material	Stainless Steel
Frequency	60.00 Hz
Haz Area Class and Group	None
Haz Area Division	Not Applicable
Motor Letter Type	Three Phase
Output @ Frequency	15.000 HP @ 60 HZ
Phase	3
Synchronous Speed @ Frequency	1800 RPM @ 60 HZ
Voltage @ Frequency	575.0 V @ 60 HZ
Agency Approvals	CSA NEMA PREMIUM UR
Ambient Temperature	40 °C
Auxillary Box	No Auxillary Box
Auxillary Box Lead Termination	None
Base Indicator	Rigid
Bearing Grease Type	Polyrex EM (-20F +300F)
Blower	None
Current @ Voltage	14.200 A @ 575.0 V
Design Code	A
Drip Cover	No Drip Cover
Duty Rating	CONT
Efficiency @ 100% Load	92.4 %
Electrically Isolated Bearing	Not Electrically Isolated
Feedback Device	NO FEEDBACK
Front Shaft Indicator	None
Heater Indicator	No Heater
High Voltage Full Load Amps	14.2 a
Insulation Class	H
Inverter Code	Inverter Ready

## Part detail

Revision	S
Type	AC
Mech. spec.	39E646
Base	
Status	PRD/A
Elec. spec.	39WGX761
Layout	39LYE646
Eff. date	08-02-2024
CD Diagram	CD0006
Poles	04
Leads	3#12
Proprietary	False
Created date	10-11-2018

<b>KVA Code</b>	H
<b>Lifting Lugs</b>	Standard Lifting Lugs
<b>Locked Bearing Indicator</b>	Locked Bearing
<b>Motor Lead Quantity/Wire Size</b>	3 @ 12 AWG
<b>Motor Lead Termination</b>	Flying Leads
<b>Motor Standards</b>	NEMA
<b>Motor Type</b>	3956M
<b>Mounting Arrangement</b>	F1
<b>Number of Poles</b>	4
<b>Overall Length</b>	24.18 IN
<b>Power Factor</b>	85
<b>Product Family</b>	WD All SS Encapsulated
<b>Pulley End Bearing Type</b>	Sealed Bearing
<b>Pulley Face Code</b>	C-Face
<b>Pulley Shaft Indicator</b>	Standard
<b>Rodent Screen</b>	None
<b>Service Factor</b>	1.15
<b>Shaft Diameter</b>	1.625 IN
<b>Shaft Ground Indicator</b>	No Shaft Grounding
<b>Shaft Rotation</b>	Reversible
<b>Shaft Slinger Indicator</b>	No Slinger
<b>Speed</b>	1765 rpm
<b>Speed Code</b>	Single Speed
<b>Starting Method</b>	Direct on line
<b>Thermal Device - Bearing</b>	None
<b>Thermal Device - Winding</b>	None
<b>Vibration Sensor Indicator</b>	No Vibration Sensor
<b>Winding Thermal 1</b>	None
<b>Winding Thermal 2</b>	None



**AC Induction Motor Performance Data**

Record # 73070

Typical performance - not guaranteed values

Winding: 39WGX761-R003		Type: 3956M	Enclosure: TEFC	
<b>Nameplate Data</b>		<b>575 V, 60 Hz: Single Voltage Motor</b>		
Rated Output (HP)	15	Full Load Torque	44.6 LB-FT	
Volts	575	Start Configuration	direct on line	
Full Load Amps	14.2	Breakdown Torque	178 LB-FT	
R.P.M.	1765	Pull-up Torque	57.2 LB-FT	
Hz	60 Phase	3	Locked-rotor Torque	84.2 LB-FT
NEMA Design Code	A KVA Code	H	Starting Current	103 A
Service Factor (S.F.)		1.15	No-load Current	5.78 A
NEMA Nom. Eff.	92.4 Power Factor	85	Line-line Res. @ 25°C	0.788 Ω
Rating - Duty		40C AMB-CONT	Temp. Rise @ Rated Load	65°C
S.F. Amps			Temp. Rise @ S.F. Load	79°C
			Locked-rotor Power Factor	31.9
			Rotor inertia	2.45 LB-FT <sup>2</sup>

**Load Characteristics 575 V, 60 Hz, 15 HP**

% of Rated Load	25	50	75	100	125	150	S.F.
Power Factor	48	70	81	85	87	88	86
Efficiency	87.2	91.2	92.6	92.8	91.8	90.7	92.2
Speed	1792	1785	1777	1769	1760	1748	1764
Line amperes	6.74	8.72	11.2	14.2	17.5	21.7	16.2

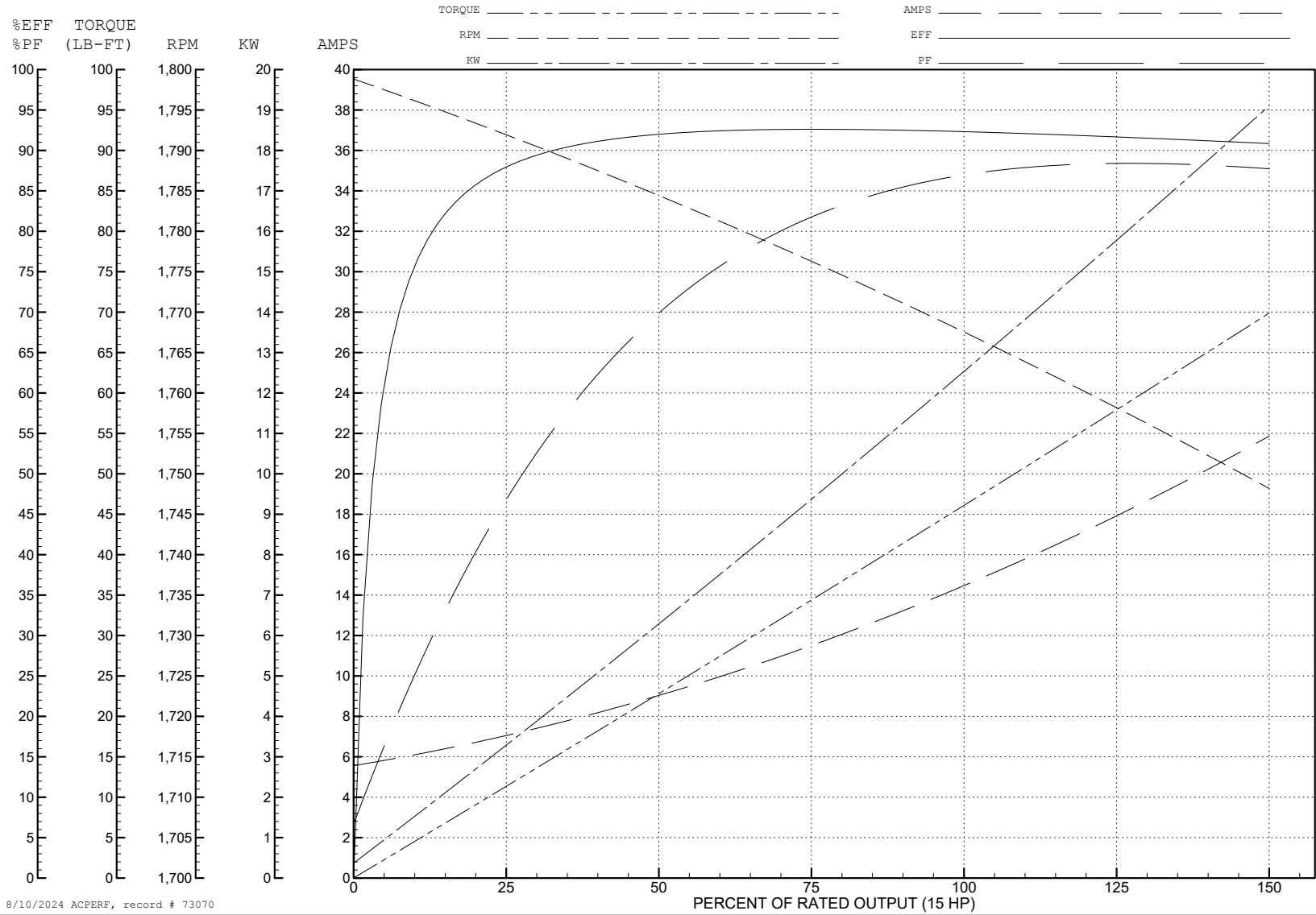
ABB Motors and Mechanical Inc.

WINDING # 39WGx761

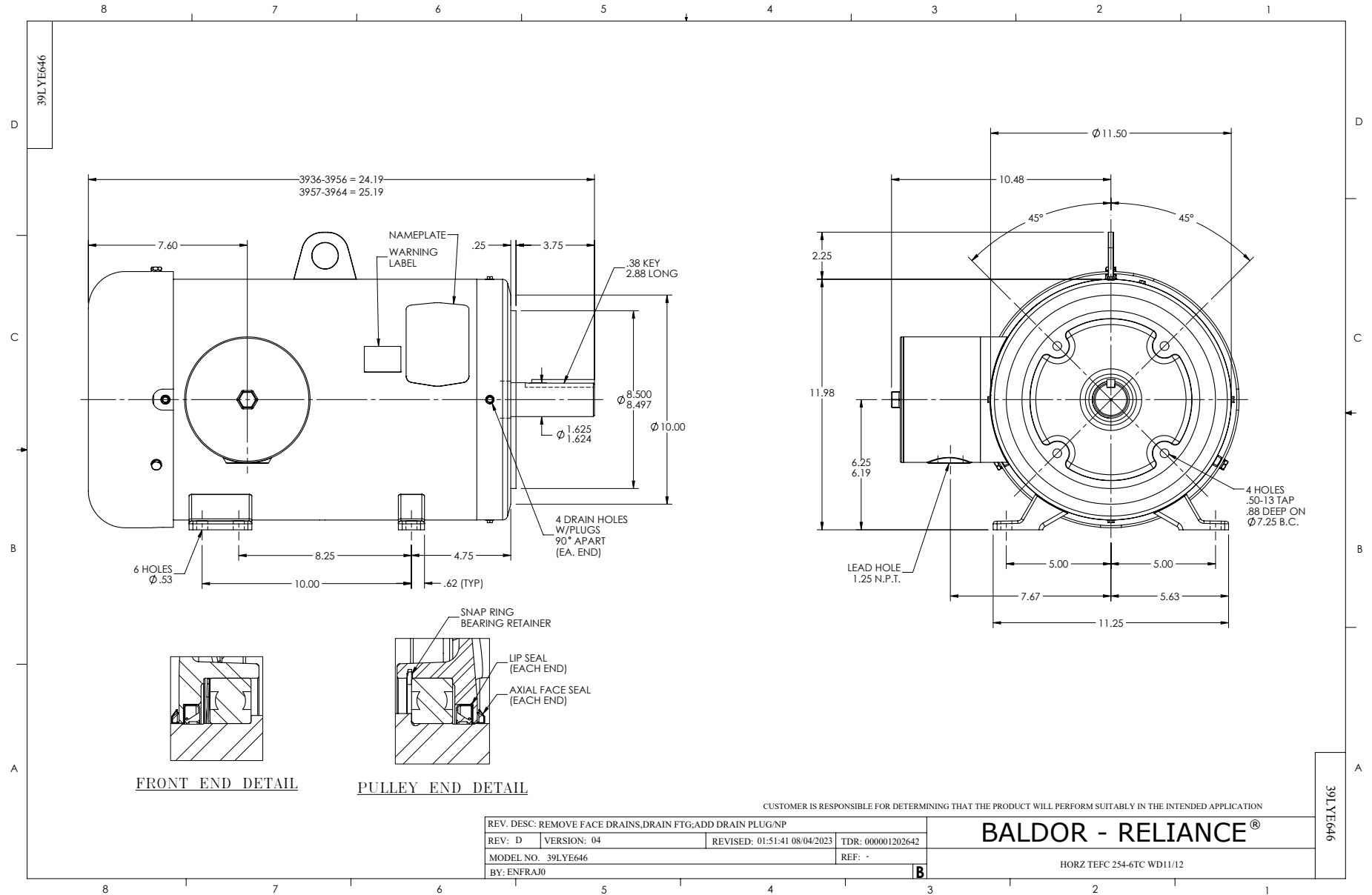
Typical performance - not guaranteed values.

15 HP 3 PH 60 HZ 1765 RPM 575 V 3956M

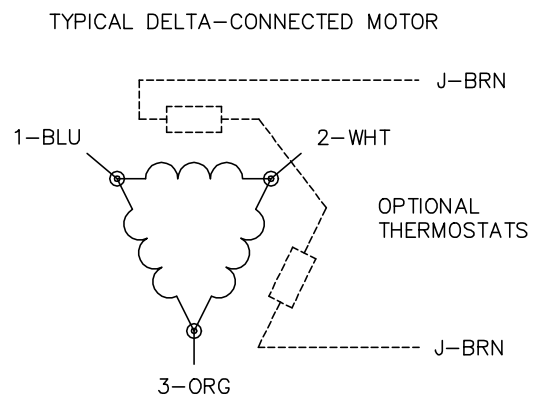
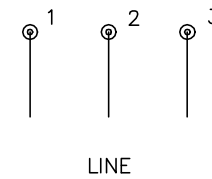
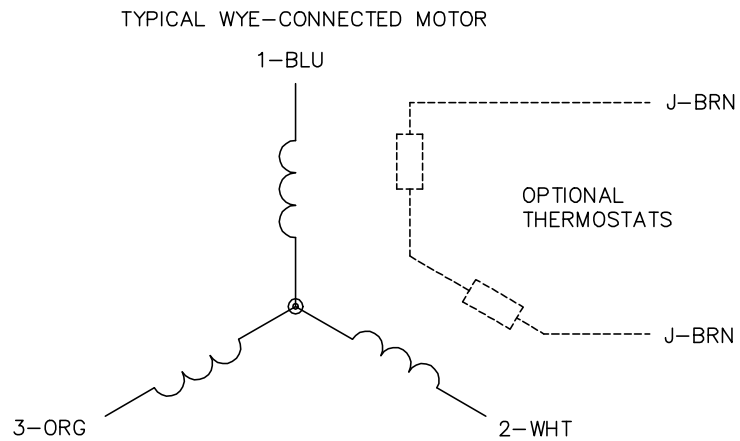
TORQUES (LB-FT): PO=178 PU=57.2 LR=84.2 LRA=103



8/10/2024 ACPERF, record # 73070



CD0006



NOTES:

1. THREE LEAD MOTOR MAY BE EITHER WYE CONNECTED OR DELTA CONNECTED.
2. INTERCHANGE ANY TWO LINE LEADS TO REVERSE ROTATION.
3. OPTIONAL THERMOSTATS ARE PROVIDED WHEN SPECIFIED.
4. ACTUAL NUMBER OF INTERNAL PARALLEL CIRCUITS MAY VARY.
5. LEAD COLORS ARE OPTIONAL. LEADS MUST BE NUMBERED AS SHOWN.

CD0006

REV. DESC: ADD CLASS CONN00000007		
REV. LTR: E	VERSION: 01	TDR: 000001099922
FILE: \AAA\00005\141	REVISED: 10:24:49 02/19/2019	BY: ENBRIRO
MTL: -		© □

**BALDOR - RELIANCE®**

3PH, SV, 3 LEADS, WYE OR DELTA CONNECTED

SH 1 of 1