

BALDOR • RELIANCE

Customer information packet

CFSWDM23932T-E

10HP, 1180RPM, 3PH, 60HZ, 256TC, 3964M, TEFC, F

Class - None

Division - Not Applicable

Copyright © All product information within this document is subject to ABB Motors and Mechanical Inc. copyright © protection, unless otherwise noted.

4/1/2023 1:41:18 AM

Specifications

Enclosure	TEFC
Frame	256TC
Frame Material	Stainless Steel
Frequency	60.00 Hz
Motor Letter Type	Three Phase
Output @ Frequency	10.000 HP @ 60 HZ
Phase	3
Synchronous Speed @ Frequency	1200 RPM @ 60 HZ
Voltage @ Frequency	230.0 V @ 60 HZ 460.0 V @ 60 HZ
XP Class and Group	None
XP Division	Not Applicable
Agency Approvals	NEMA PREMIUM CSA UR
Ambient Temperature	40 °C
Auxillary Box	No Auxillary Box
Auxillary Box Lead Termination	None
Base Indicator	Rigid
Bearing Grease Type	Polyrex EM (-20F +300F)
Blower	None
Current @ Voltage	15.100 A @ 460.0 V 30.200 A @ 230.0 V
Design Code	A
Drip Cover	No Drip Cover
Duty Rating	CONT
Efficiency @ 100% Load	91.0 %
Electrically Isolated Bearing	Not Electrically Isolated
Feedback Device	NO FEEDBACK
Front Face Code	Standard
Front Shaft Indicator	None
Heater Indicator	No Heater

Part detail

Revision	W
Type	AC
Mech. spec.	39E646
Base	
Status	PRD/A
Elec. spec.	39WGX896
Layout	39LYE646
Eff. date	04-12-2022
CD Diagram	CD0180
Poles	06
Leads	9#12
Proprietary	False
Created date	04-06-2017

High Voltage Full Load Amps	15.1 a
Insulation Class	H
Inverter Code	Inverter Ready
KVA Code	K
Lifting Lugs	Standard Lifting Lugs
Locked Bearing Indicator	Locked Bearing
Motor Lead Exit	Ko Box
Motor Lead Quantity/Wire Size	9 @ 12 AWG
Motor Lead Termination	Flying Leads
Motor Standards	NEMA
Motor Type	3964M
Mounting Arrangement	F1
Number of Poles	6
Overall Length	25.18 IN
Power Factor	68
Product Family	WD All SS Encapsulated
Pulley End Bearing Type	Sealed Bearing
Pulley Face Code	C-Face
Pulley Shaft Indicator	Standard
Rodent Screen	None
RoHS Status	ROHS COMPLIANT
Service Factor	1.15
Shaft Diameter	1.625 IN
Shaft Extension Location	Pulley End
Shaft Ground Indicator	No Shaft Grounding
Shaft Rotation	Reversible
Shaft Slinger Indicator	No Slinger
Speed	1180 rpm
Speed Code	Single Speed
Starting Method	Direct on line
Thermal Device - Bearing	None
Thermal Device - Winding	None
Vibration Sensor Indicator	No Vibration Sensor
Winding Thermal 1	None

Winding Thermal 2

None

Nameplate**NP1953A02**

CAT.NO.	CFSWDM23932T-E									
SPEC.	39E646X896G1									
HP	10									
VOLTS	230/460									
AMP	30.2/15.1									
RPM	1180									
FRAME	256TC			HZ	60			PH	3	
SER.F.	1.15		CODE	K	DES	A	CLASS	H		
NEMA-NOM-EFF	91		PF	68						
RATING	40C AMB-CONT									
CC	010A		USABLE AT 208V							
DE	6309		ODE	6309						
ENCL	TEFC	SN								
	2:1 CT/10:1 VT									

AC Induction Motor Performance Data

Record # 54939

Typical performance - not guaranteed values

Winding: 39WGX896-R002		Type: 3964M		Enclosure: TEFC	
Nameplate Data			460 V, 60 Hz: High Voltage Connection		
Rated Output (HP)	10	Full Load Torque	44.4 LB-FT		
Volts	230/460	Start Configuration	direct on line		
Full Load Amps	30.2/15.1	Breakdown Torque	149 LB-FT		
R.P.M.	1180	Pull-up Torque	58 LB-FT		
Hz	60	Locked-rotor Torque	81.2 LB-FT		
NEMA Design Code	A	Starting Current	103 A		
Service Factor (S.F.)	1.15	No-load Current	8.46 A		
NEMA Nom. Eff.	91	Line-line Res. @ 25°C	0.64938 Ω		
Rating - Duty	40C AMB-CONT	Temp. Rise @ Rated Load	67°C		
S.F. Amps		Temp. Rise @ S.F. Load	79°C		
		Locked-rotor Power Factor	24.5		

Load Characteristics 460 V, 60 Hz, 10 HP

% of Rated Load	25	50	75	100	125	150	S.F.
Power Factor	31	50	61	68	72	74	70
Efficiency	84.1	89.9	91.3	91.4	91	90.1	91.2
Speed	1195.5	1191.4	1186.7	1181.7	1176.3	1169.9	1178
Line amperes	9.06	10.5	12.6	15.1	17.8	21.1	16.7

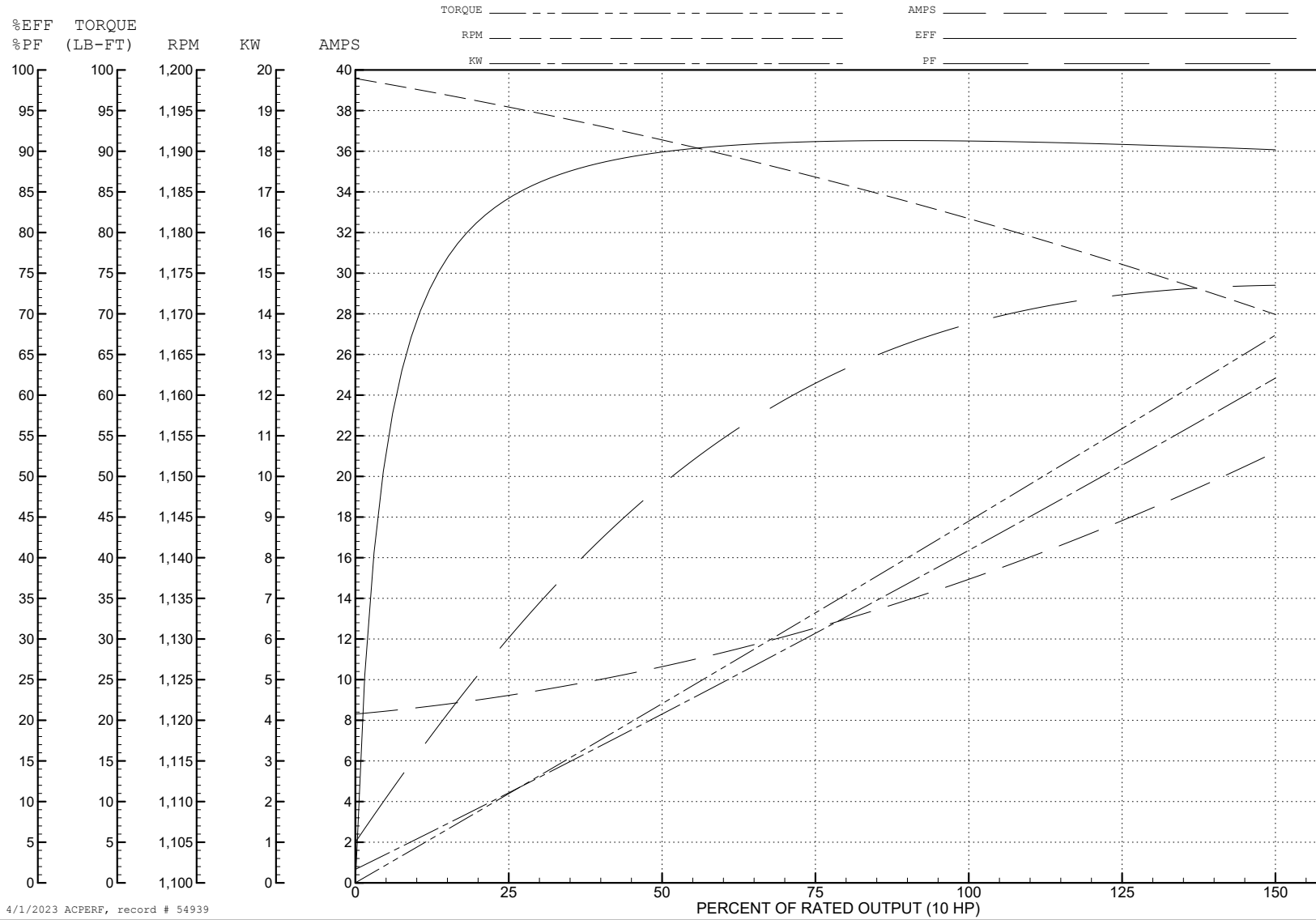
ABB Motors and Mechanical Inc.

WINDING # 39WGx896

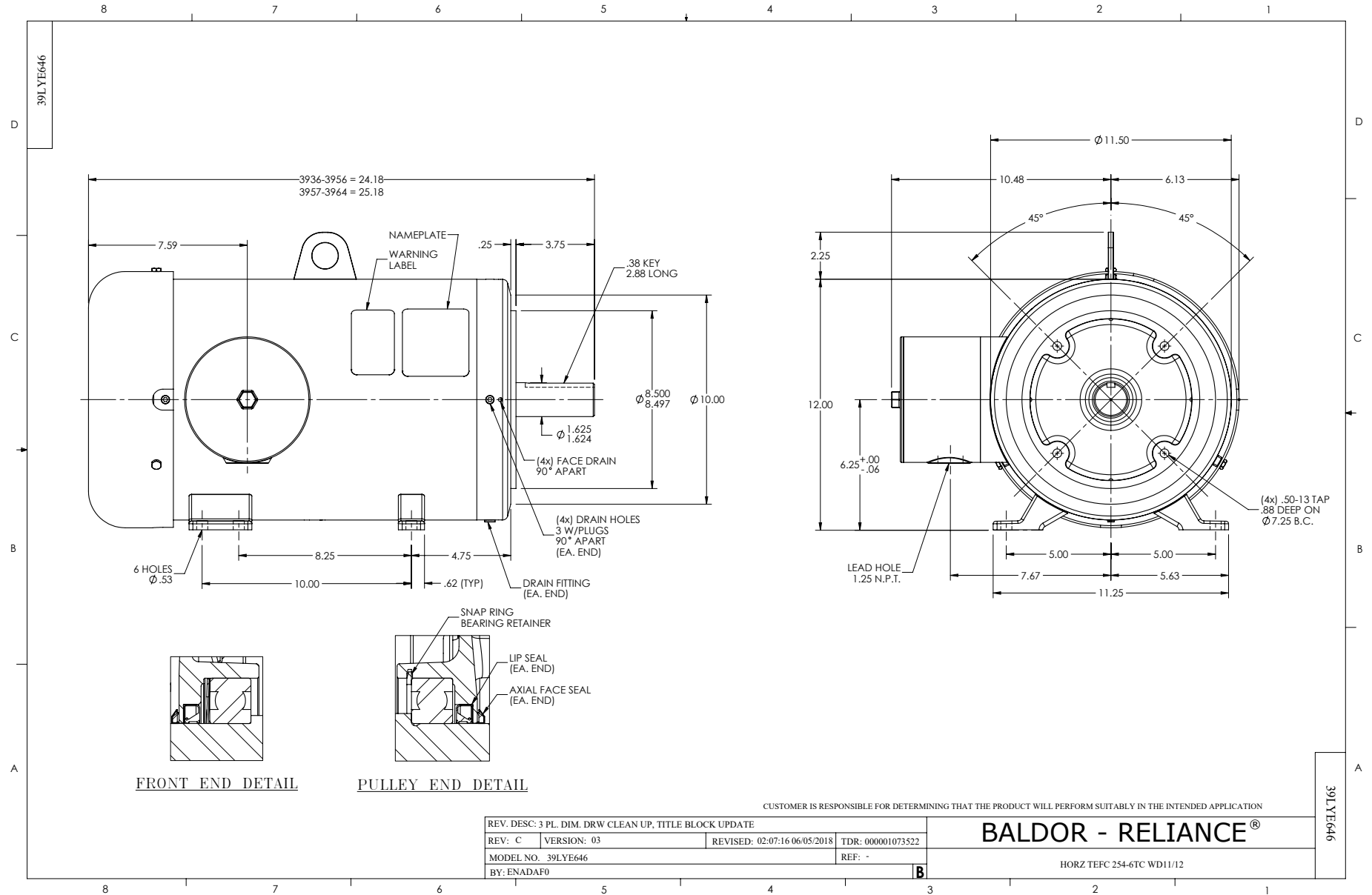
Typical performance - not guaranteed values.

10 HP 3 PH 60 HZ 1180 RPM 460 V 3964M

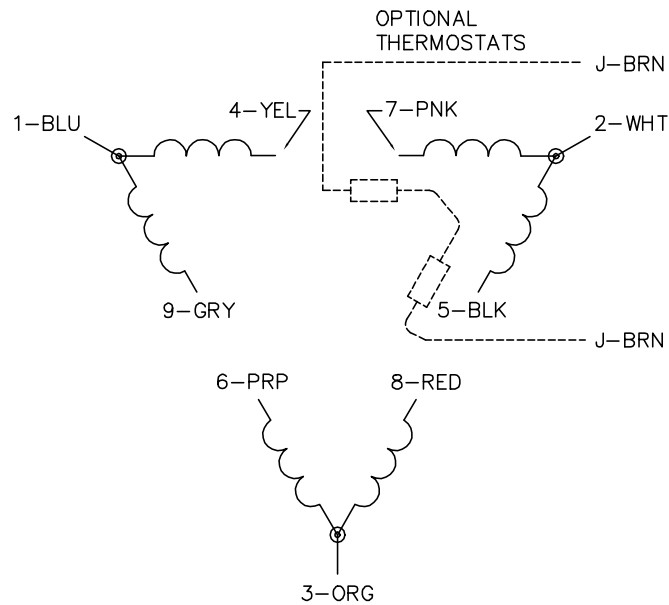
TORQUES (LB-FT): PO=149 PU=58 LR=81.2 LRA=103



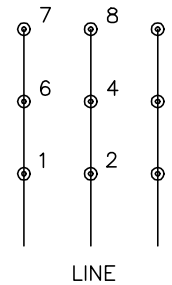
4/1/2023 ACPERF, record # 54939



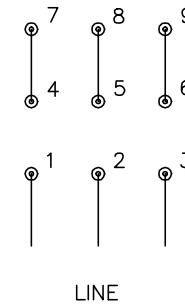
CD0180



LOW VOLTAGE
(2D)



HIGH VOLTAGE
(1D)



NOTES:

1. INTERCHANGE ANY TWO LINE LEADS TO REVERSE ROTATION.
2. OPTIONAL THERMOSTATS ARE PROVIDED WHEN SPECIFIED.
3. ACTUAL NUMBER OF INTERNAL PARALLEL CIRCUITS MAY BE A MULTIPLE OF THOSE SHOWN ABOVE.
4. LEAD COLORS ARE OPTIONAL. LEADS MUST ALWAYS BE NUMBERED AS SHOWN.

CD0180

REV. DESC: ADD CLASS CONN00000007		
REV. LTR: D	VERSION: 01	TDR: 000001099922
FILE: \AAA\00005\148	REVISED: 10: 25: 29 02/19/2019	BY: ENBRIRO
MTL: -	© □	

BALDOR - RELIANCE®

3PH, DV, 9 LEADS, DELTA CONNECTION

SH 1 of 1