

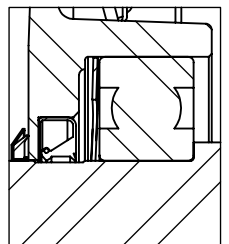
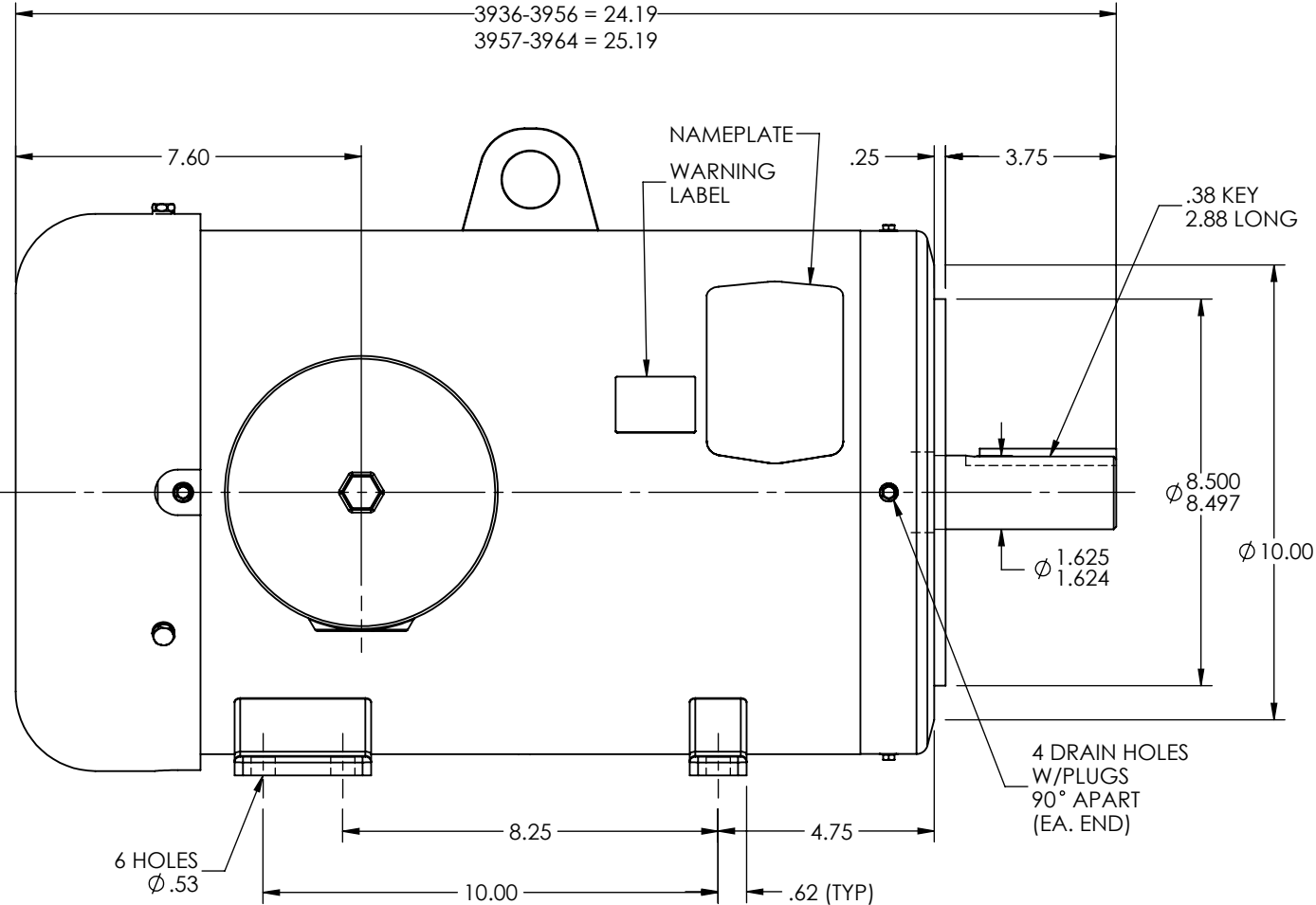
39LYE646

D

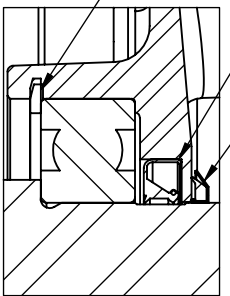
C

B

A



FRONT END DETAIL

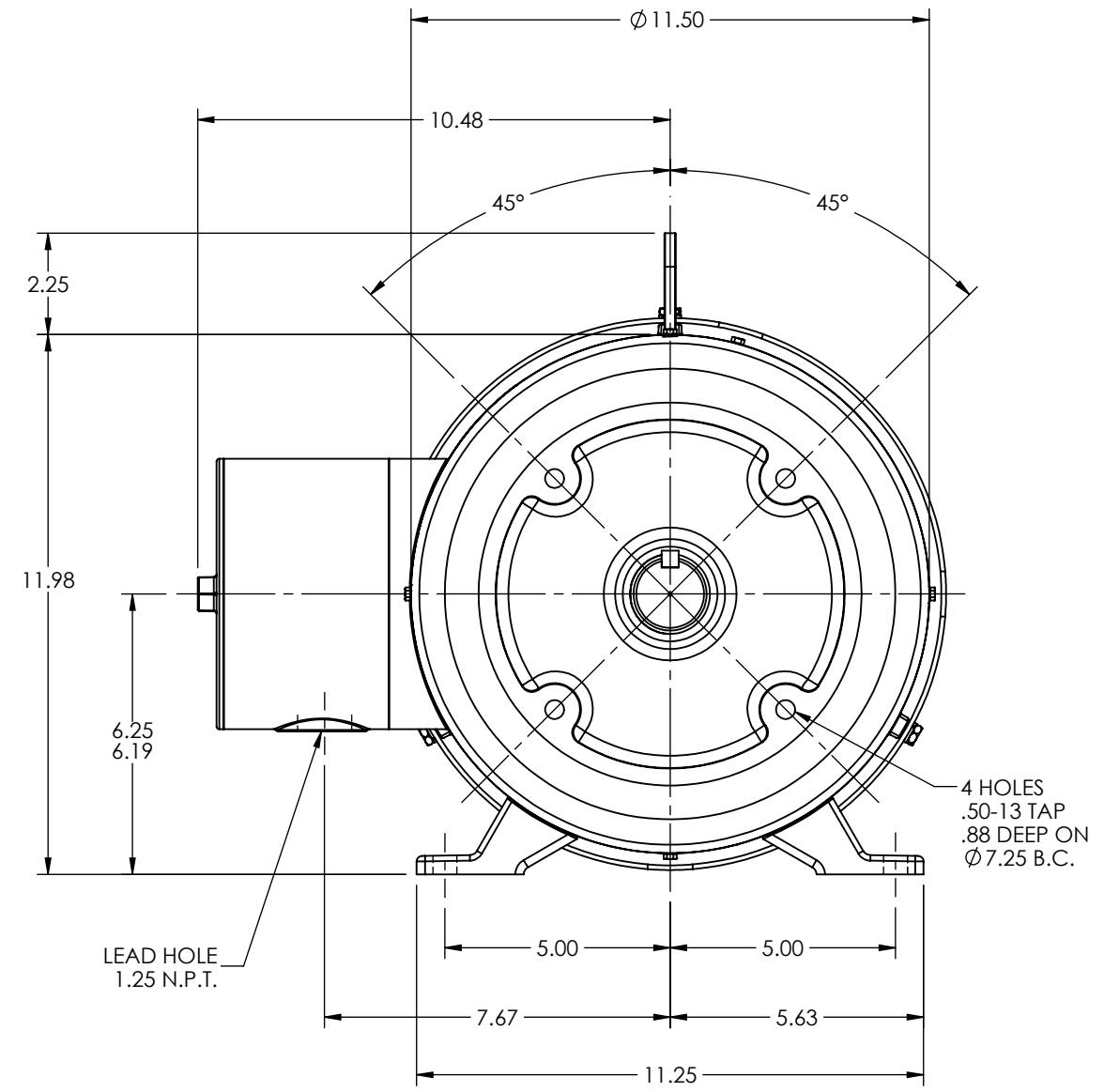


PULLEY END DETAIL

SNAP RING
BEARING RETAINER

LIP SEAL
(EACH END)

AXIAL FACE SEAL
(EACH END)



D

C

B

A

39LYE646

CUSTOMER IS RESPONSIBLE FOR DETERMINING THAT THE PRODUCT WILL PERFORM SUITABLY IN THE INTENDED APPLICATION

REV. DESC: REMOVE FACE DRAINS,DRAIN FTG;ADD DRAIN PLUG/NP			
REV: D	VERSION: 04	REVISED: 01:51:41 08/04/2023	TDR: 000001202642
MODEL NO. 39LYE646			REF: -
BY: ENFRAJ0			B

BALDOR - RELIANCE®

HORZ TEFC 254-6TC WD11/12

8 7 6 5 4 3 2 1