

BALDOR • RELIANCE

Customer information packet

CFSWDL3510

1HP, 1725RPM, 1PH, 60HZ, 56C, 3538L, TEFC, F1, N

Class - None

Division - Not Applicable

Specifications

Enclosure	TEFC
Frame	56C
Frame Material	Stainless Steel
Frequency	60.00 Hz
Haz Area Class and Group	None
Haz Area Division	Not Applicable
Motor Letter Type	Cap Start, Induction Run
Output @ Frequency	1.000 HP @ 60 HZ
Phase	1
Synchronous Speed @ Frequency	1800 RPM @ 60 HZ
Voltage @ Frequency	115.0 V @ 60 HZ 230.0 V @ 60 HZ
Agency Approvals	UR CSA
Ambient Temperature	40 °C
Auxillary Box	No Auxillary Box
Auxillary Box Lead Termination	None
Base Indicator	Rigid
Bearing Grease Type	Polyrex EM (-20F +300F)
Blower	None
Current @ Voltage	11.100 A @ 115.0 V 5.500 A @ 230.0 V
Design Code	L
Drip Cover	No Drip Cover
Duty Rating	CONT
Efficiency @ 100% Load	74.0 %
Electrically Isolated Bearing	Not Electrically Isolated
Feedback Device	NO FEEDBACK
Front Shaft Indicator	None
Heater Indicator	No Heater
High Voltage Full Load Amps	5.5 a
Insulation Class	F

Part detail

Revision	D
Type	AC
Mech. spec.	35E4732
Base	
Status	PRD/A
Elec. spec.	35WGG402
Layout	35LYE4732
Eff. date	07-02-2024
CD Diagram	CD0648
Poles	04
Leads	7#18
Proprietary	False
Created date	08-11-2022

Inverter Code	Not Inverter
KVA Code	K
Lifting Lugs	No Lifting Lugs
Locked Bearing Indicator	Locked Bearing
Motor Finish	UNPAINTED
Motor Lead Quantity/Wire Size	6 @ 18 AWG
Motor Lead Termination	Flying Leads
Motor Standards	NEMA
Motor Type	3538L
Mounting Arrangement	F1
Number of Poles	4
Overall Length	16.26 IN
Power Factor	79
Product Family	WD All SD Non-Encapsulated
Pulley End Bearing Type	Sealed Bearing
Pulley Face Code	C-Face
Pulley Shaft Indicator	Standard
Rodent Screen	None
Service Factor	1.15
Shaft Diameter	0.625 IN
Shaft Ground Indicator	No Shaft Grounding
Shaft Rotation	Reversible
Shaft Slinger Indicator	No Slinger
Speed	1725 rpm
Speed Code	Single Speed
Starting Method	Direct on line
Thermal Device - Bearing	None
Thermal Device - Winding	None
Vibration Sensor Indicator	No Vibration Sensor
Winding Thermal 1	None
Winding Thermal 2	None

Nameplate

NP4427ALG30									
CAT #	CFSWDL3510	WT	41	LBS					
SPEC	35E4732G402	ENCL	TEFC						
SER #		CC		IP	69				
HP	1	NEMA NOM. EFF	74						
VOLTS	115/230								
AMPS	11.3/5.65		PF	75					
RATING	40C AMB-CONT								
RPM	1735								
FRAME	56C	HZ	60	CODE	K	CLASS	F		
SER.F.	1.15	SF AMP		PH	1	DES	L		
DE	6205	ODE	6205						
LUBRICATION	POLYREX EM								
								QR	
YR									

AC Induction Motor Performance Data

Record # 91187

Preliminary Data Sheet

Winding: 35WGG402-R001		Type: 3538L	Enclosure: TEFC	
Nameplate Data			115 V, 60 Hz: Low Voltage Connection	
Rated Output (HP)	1	Full Load Torque	3.06 LB-FT	
Volts	115/230	Start Configuration	direct on line	
Full Load Amps	11.1/5.5	Breakdown Torque	9.56 LB-FT	
R.P.M.	1725	Pull-up Torque	5.55 LB-FT	
Hz	60 Phase	1	Locked-rotor Torque	8.58 LB-FT
NEMA Design Code	L KVA Code	K	Starting Current	76.9 A
Service Factor (S.F.)	1.15	No-load Current	6.33 A	
NEMA Nom. Eff.	74 Power Factor	79	Line-line Res. @ 25°C	0.44 Ω A Ph 0.977 Ω B Ph
Rating - Duty	40C AMB-CONT	Temp. Rise @ Rated Load	62°C	
S.F. Amps		Temp. Rise @ S.F. Load	71°C	
		Locked-rotor Power Factor	94.2	
		Rotor inertia	0.275 lb-ft ²	

Load Characteristics 115 V, 60 Hz, 1 HP

% of Rated Load	25	50	75	100	125	150	S.F.
Power Factor	36	55	68	76	81	79	79
Efficiency	68.8	76.9	77.4	75.2	69.7	1.2	71.9
Speed	1785	1769	1751	1725	1683	65.1	1700
Line amperes	6.74	7.76	9.32	11.4	14.27	34.96	13.1

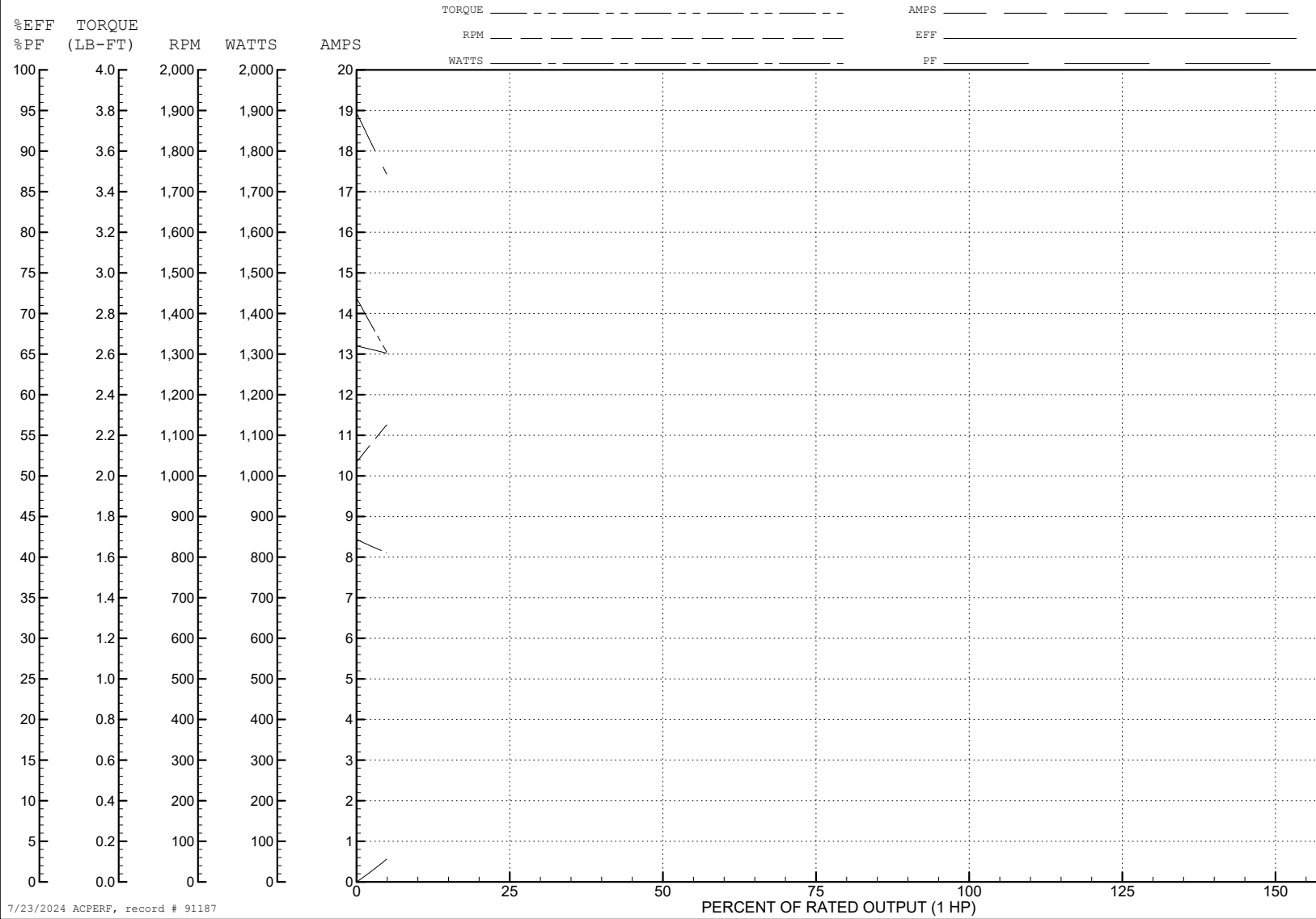
ABB Motors and Mechanical Inc.

WINDING # 35WGG402

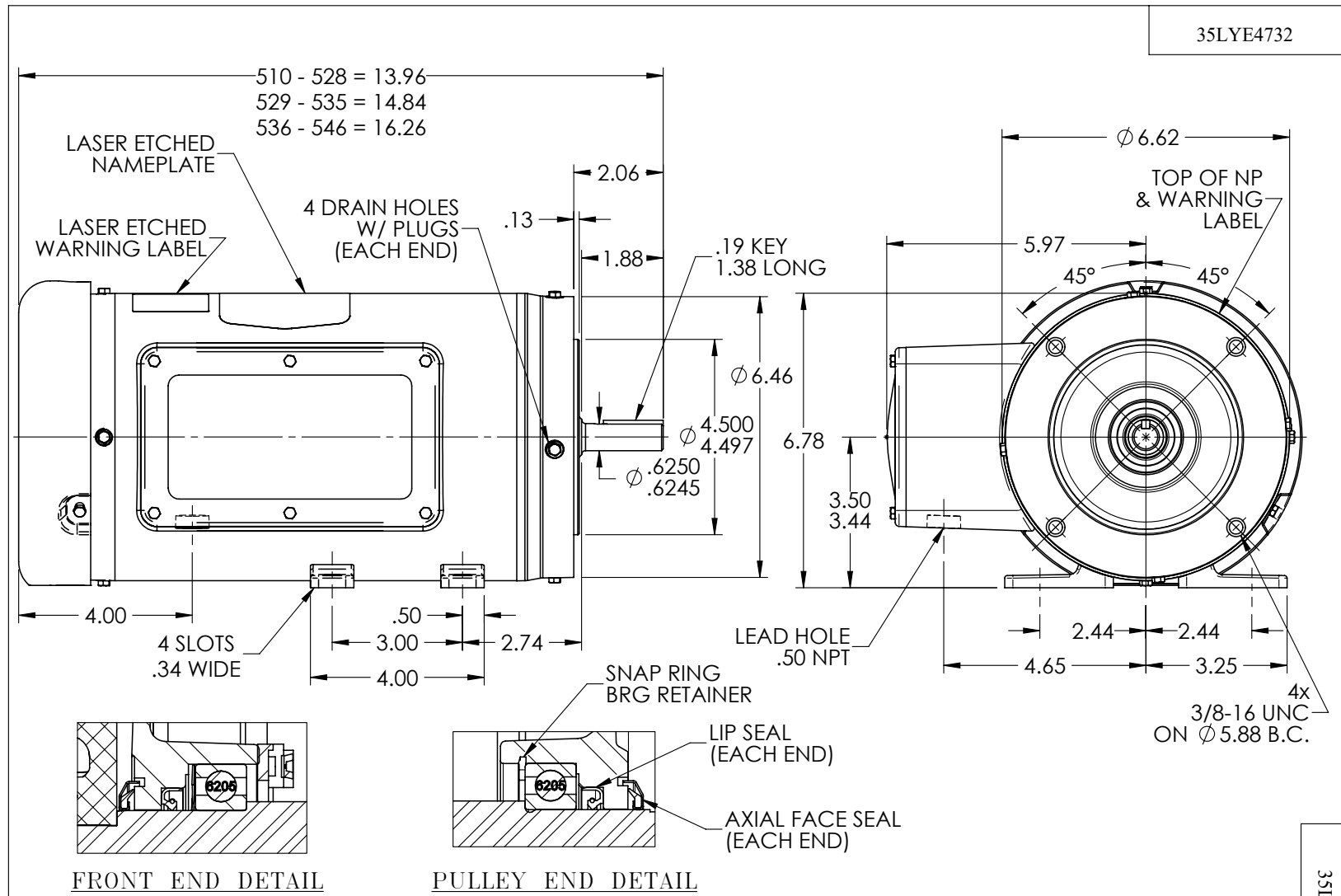
Typical performance - not guaranteed values.

1 HP 1 PH 60 HZ 1725 RPM 115 V 3538L

TORQUES (LB-FT): PO=9.56 PU=5.55 LR=8.58 LRA=76.9



7/23/2024 ACPERF, record # 91187



35LYE4732

FRONT END DETAIL

PULLEY END DETAIL

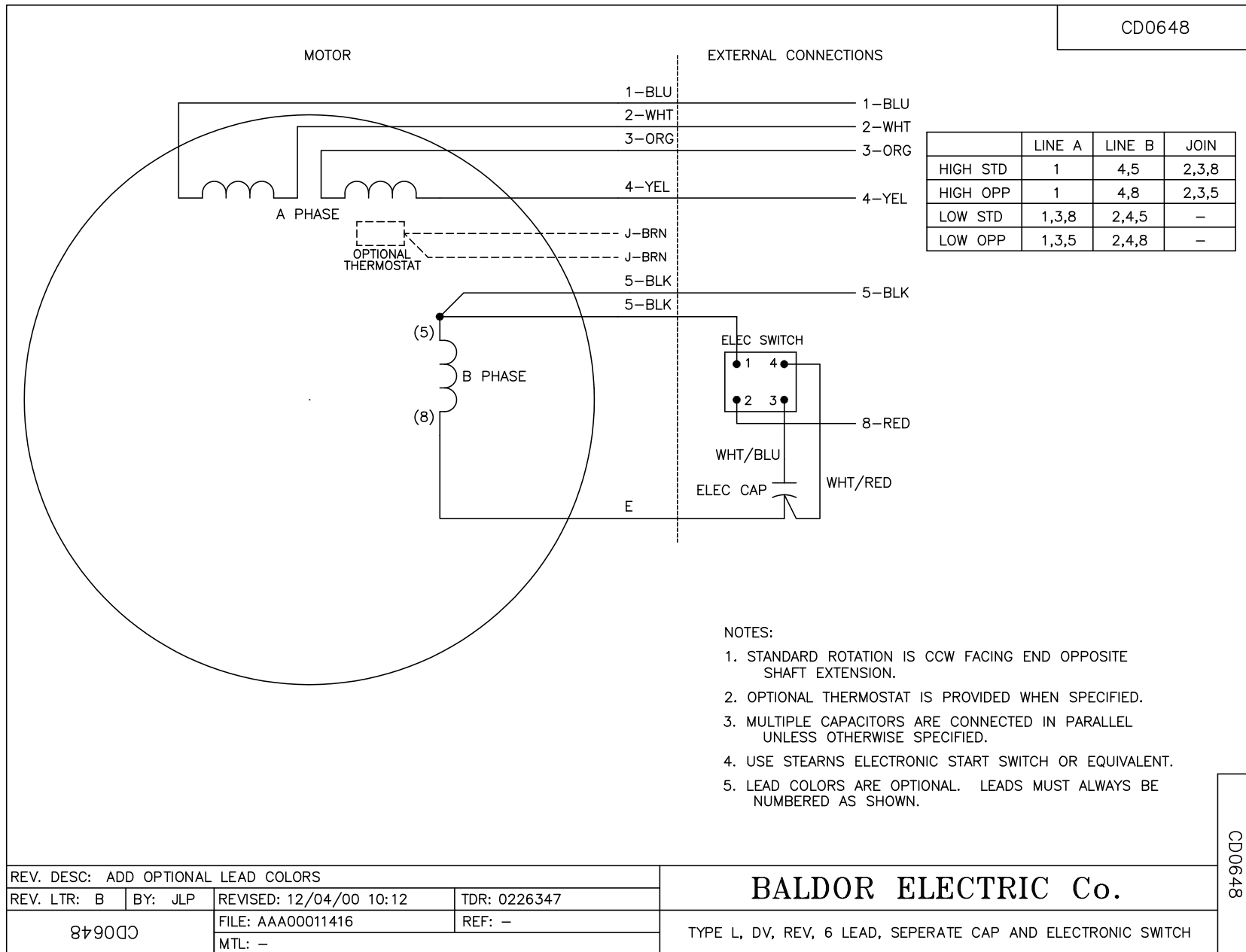
REV. DESC: REMOVE FACE DRAINS & DRAIN FTG; ADD DRAIN PLUG			
REV: A	VERSION: 01	REVISED: 09:24:42 06/14/2023	TDR: 000001202627
MODEL NO. 35LYE4732		REF: -	
BY: ENFRAJ0			

BALDOR

STD HORZ 56C TEFC 35L WD11/12

35LYE4732

CD0648



NOTES:

1. STANDARD ROTATION IS CCW FACING END OPPOSITE SHAFT EXTENSION.
2. OPTIONAL THERMOSTAT IS PROVIDED WHEN SPECIFIED.
3. MULTIPLE CAPACITORS ARE CONNECTED IN PARALLEL UNLESS OTHERWISE SPECIFIED.
4. USE STEARNS ELECTRONIC START SWITCH OR EQUIVALENT.
5. LEAD COLORS ARE OPTIONAL. LEADS MUST ALWAYS BE NUMBERED AS SHOWN.

CD0648

REV. DESC: ADD OPTIONAL LEAD COLORS			
REV. LTR: B	BY: JLP	REVISED: 12/04/00 10:12	TDR: 0226347
879000		FILE: AAA00011416	REF: -
		MTL: -	

BALDOR ELECTRIC Co.

TYPE L, DV, REV, 6 LEAD, SEPERATE CAP AND ELECTRONIC SWITCH