

ABB BALDOR RELIANCE III

Customer information packet

CFSSP5M3615T-E-G

5HP, 1800RPM, 3PH, 60HZ, 184TC, 3632B, TEFC, F1

Class - None

Division - Not Applicable

Specifications

| | |
|---------------------------------------|---|
| Enclosure | TEFC |
| Frame | 184TC |
| Frame Material | Stainless Steel |
| Frequency | 60.00 Hz |
| Haz Area Class and Group | None |
| Haz Area Division | Not Applicable |
| Motor Letter Type | Brushless Wound Field PM Rotor |
| Output @ Frequency | 5.000 HP @ 60 HZ |
| Phase | 3 |
| Synchronous Speed @ Frequency | 1800 RPM @ 60 HZ |
| Voltage @ Frequency | 230.0 V @ 60 HZ 460.0 V @ 60 HZ |
| Agency Approvals | WEEE C UR US |
| Ambient Temperature | 40 °C |
| Auxiliary Box | NO AUXILLARY BOX |
| Auxiliary Box Lead Termination | None |
| Base Indicator | Rigid |
| Bearing Grease Type | Polyrex EM (-20F +300F) |
| Blower | None |
| Current @ Voltage | 10.600 A @ 230.0 V 5.300 A @ 460.0 V |
| Design Code | - |
| Drip Cover | No Drip Cover |
| Duty Rating | CONT |
| Efficiency @ 100% Load | 91.7 % |
| Electrically Isolated Bearing | Not Electrically Isolated |
| Feedback Device | NO FEEDBACK |
| Front Shaft Indicator | None |
| Heater Indicator | No Heater |
| High Voltage Full Load Amps | 5.3 a |
| Insulation Class | H |

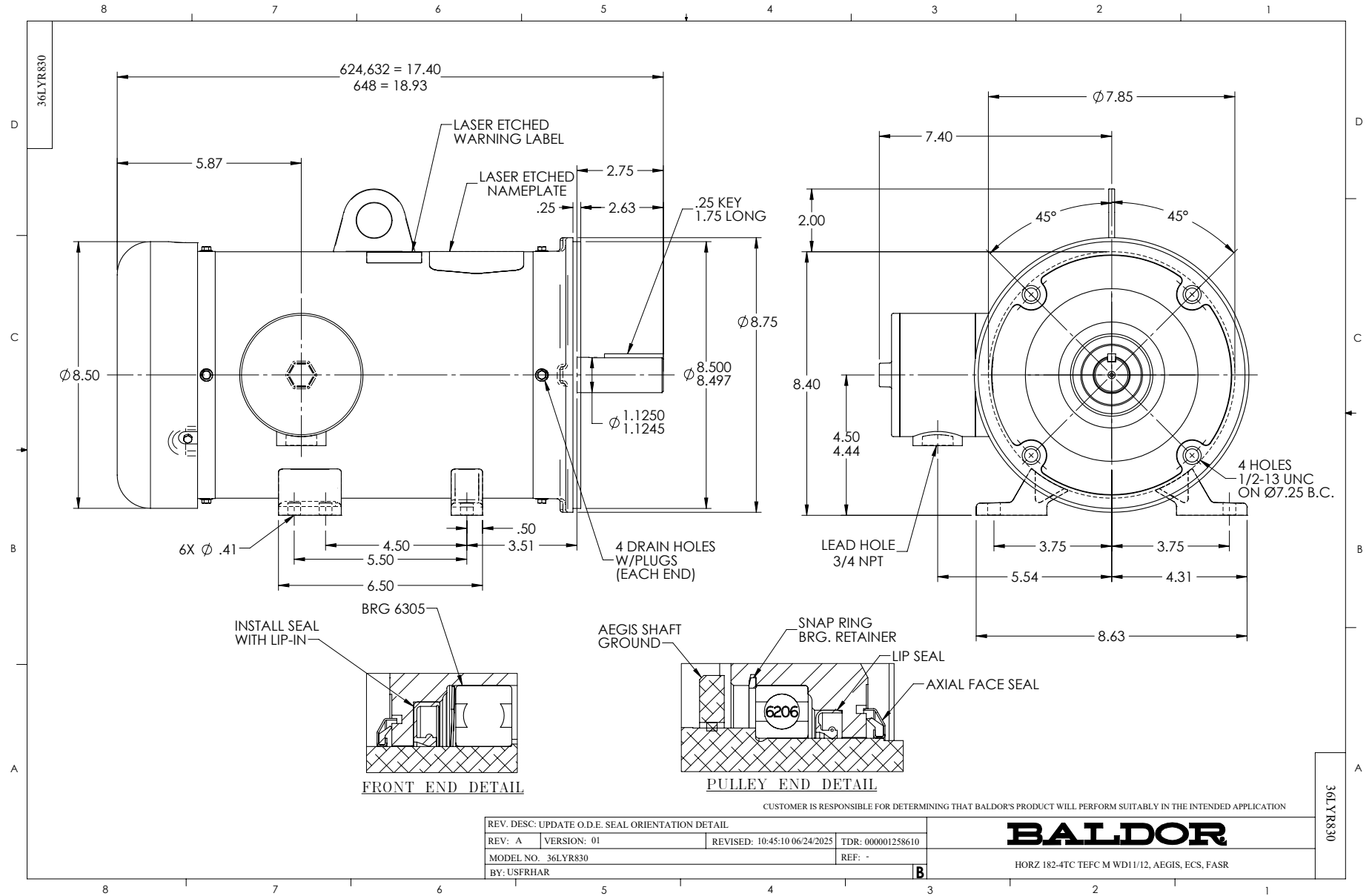
Part Detail

| | |
|---------------------|------------|
| Revision | D |
| Type | AC |
| Mech. spec. | 36R830 |
| Base | |
| Status | PRD/A |
| Elec. spec. | 36WGL138 |
| Layout | 36LYR830 |
| Eff. date | 06-24-2025 |
| CD Diagram | CD0005A25 |
| Poles | 04 |
| Leads | 9#12 |
| Proprietary | False |
| Created date | 09-25-2024 |

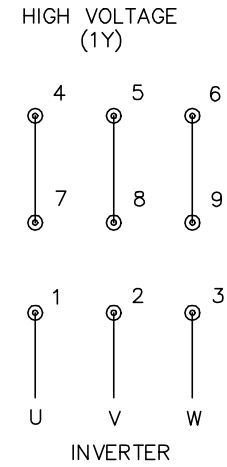
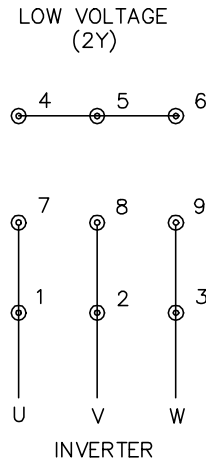
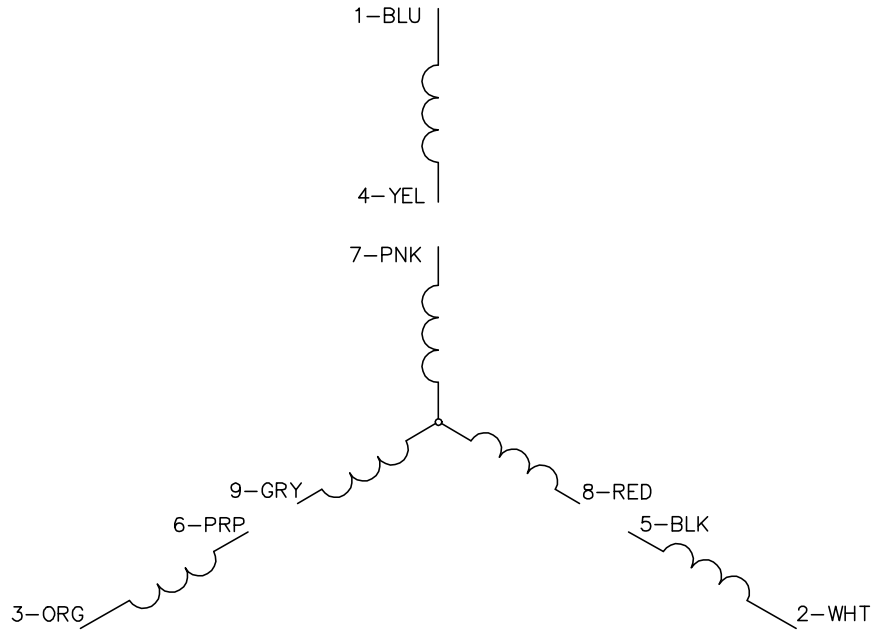
| | |
|--------------------------------------|------------------------|
| Inverter Code | 03 |
| KVA Code | - |
| Lifting Lugs | Standard Lifting Lugs |
| Locked Bearing Indicator | Locked Bearing |
| Max Speed | 4000 rpm |
| Motor Lead Quantity/Wire Size | 9 @ 12 AWG |
| Motor Lead Termination | Flying Leads |
| Motor Standards | NEMA |
| Motor Type | 3632B |
| Mounting Arrangement | F1 |
| Number of Poles | 4 |
| Overall Length | 17.40 IN |
| Power Factor | 94 |
| Product Family | WD All SS Encapsulated |
| Pulley End Bearing Type | Sealed Bearing |
| Pulley Face Code | C-Face |
| Pulley Shaft Indicator | Standard |
| Rodent Screen | None |
| RoHS Status | ROHS COMPLIANT |
| Service Factor | 1.15 |
| Shaft Diameter | 1.125 IN |
| Shaft Ground Indicator | Shaft Grounding |
| Shaft Rotation | Reversible |
| Shaft Slinger Indicator | Shaft Slinger |
| Speed | 1800 rpm |
| Speed Code | Single Speed |
| Starting Method | Direct on line |
| Thermal Device - Bearing | None |
| Thermal Device - Winding | None |
| Vibration Sensor Indicator | No Vibration Sensor |
| Winding Thermal 1 | None |
| Winding Thermal 2 | None |

Nameplate

| NP4427DLT49A | | | | | | | | | | | |
|----------------------|-----------------------------|------------|---------------|------------------|----------------|-------------|-----------|--------------|---|--|--|
| CAT # | CFSSP5M3615T-E-G | | | | | WT | 96 | LBS | | | |
| SPEC | 36R830L138G1 | | | | | ENCL | TEFC | | | | |
| SER # | | | | FRAME | 184TC | | IP | 69 | | | |
| HP | 5 | | RATING | 40C AMB-CONT | | | | | | | |
| NEMA NOM. EFF | 91.7 | PF | 94 | HZ | 60 | PH | 3 | CLASS | H | | |
| VOLTS | 230/460 | | | AMPS | 10.6/5.3 | | | | | | |
| SER.F. | 1.15 | RPM | 1800 | | MAX RPM | 4000 | | | | | |
| BEMF (V) | 126/252 | | | RS (OHMS) | 0.83/3.32 | | | | | | |
| LD(MH) | 13.5/54.0 | | | LQ(MH) | 47.8/191 | | | | | | |
| VPWM | CHP | 60 | TO | 133 | | | | | | | |
| CT | 6 | TO | 60 | VT | 6 | TO | 60 | | | | |
| MATCHED INV | ACS380-04XX-17A5-2 / 09A4-4 | | | | | | | | | | |
| DE | 6206 | | ODE | 6305 | | YR | | | | | |



CD0005A25



NOTES:

1. INTERCHANGE ANY TWO LINE LEADS TO REVERSE ROTATION.
2. ACTUAL NUMBER OF INTERNAL PARALLEL CIRCUITS MAY BE A MULTIPLE OF THOSE SHOWN ABOVE.
3. LEAD COLORS ARE OPTIONAL. LEADS MUST ALWAYS BE NUMBERED AS SHOWN.

CD0005A25

| | | |
|----------------------|------------------------------|-------------------|
| REV. DESC: NEW | | |
| REV. LTR: - | VERSION: 00 | TDR: 000001135746 |
| FILE: \AAA\00253\082 | REVISED: 01:10:57 03/30/2020 | BY: ENMARSO |
| MTL: - | © □ | |

BALDOR - RELIANCE®

3PH, DV, 9 LEADS, ECS
SH 1 of 1