

# ABB BALDOR RELIANCE III

---

## Customer information packet

### CFSSP5M3564T-E-G

5HP, 1800RPM, 3PH, 60HZ, 145TC, 3548B, TEFC, F1

Class - None

Division - Not Applicable

**Specifications**

<b>Enclosure</b>	TEFC
<b>Frame</b>	145TC
<b>Frame Material</b>	Stainless Steel
<b>Frequency</b>	60.00 Hz
<b>Haz Area Class and Group</b>	None
<b>Haz Area Division</b>	Not Applicable
<b>Motor Letter Type</b>	Brushless Wound Field PM Rotor
<b>Output @ Frequency</b>	5.000 HP @ 60 HZ
<b>Phase</b>	3
<b>Synchronous Speed @ Frequency</b>	1800 RPM @ 60 HZ
<b>Voltage @ Frequency</b>	230.0 V @ 60 HZ 460.0 V @ 60 HZ
<b>Agency Approvals</b>	WEEE C UR US
<b>Ambient Temperature</b>	40 °C
<b>Auxiliary Box</b>	NO AUXILLARY BOX
<b>Auxiliary Box Lead Termination</b>	None
<b>Base Indicator</b>	Rigid
<b>Bearing Grease Type</b>	Polyrex EM (-20F +300F)
<b>Blower</b>	None
<b>Current @ Voltage</b>	10.400 A @ 230.0 V 5.200 A @ 460.0 V
<b>Design Code</b>	-
<b>Drip Cover</b>	No Drip Cover
<b>Duty Rating</b>	CONT
<b>Efficiency @ 100% Load</b>	93.0 %
<b>Electrically Isolated Bearing</b>	Not Electrically Isolated
<b>Feedback Device</b>	NO FEEDBACK
<b>Front Shaft Indicator</b>	None
<b>Heater Indicator</b>	No Heater
<b>High Voltage Full Load Amps</b>	5.2 a
<b>Insulation Class</b>	H

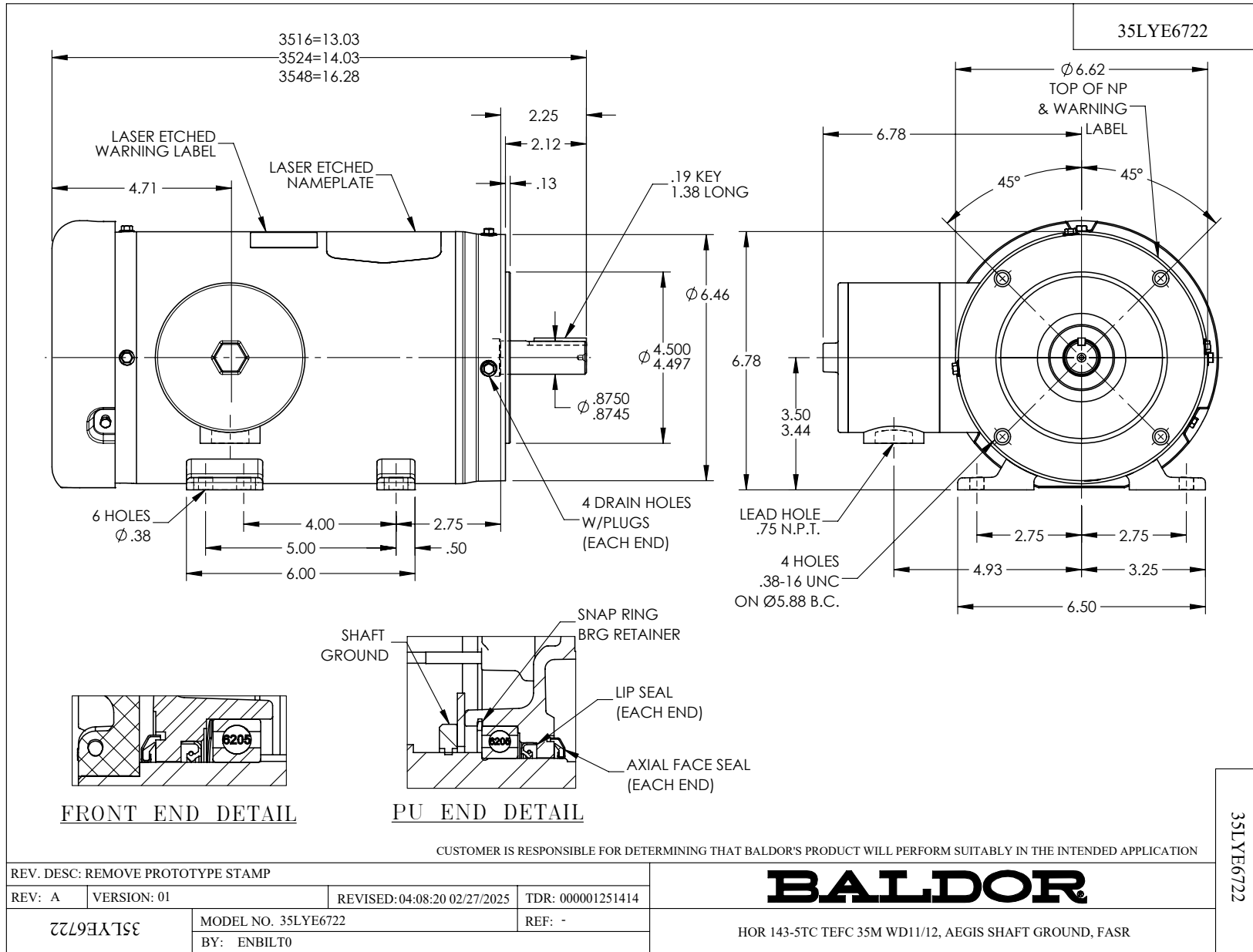
**Part Detail**

<b>Revision</b>	E
<b>Type</b>	AC
<b>Mech. spec.</b>	35E6722
<b>Base</b>	
<b>Status</b>	PRD/A
<b>Elec. spec.</b>	35WGG925
<b>Layout</b>	35LYE6722
<b>Eff. date</b>	01-29-2026
<b>CD Diagram</b>	CD0005A25
<b>Poles</b>	04
<b>Leads</b>	9#14
<b>Proprietary</b>	False
<b>Created date</b>	09-12-2024

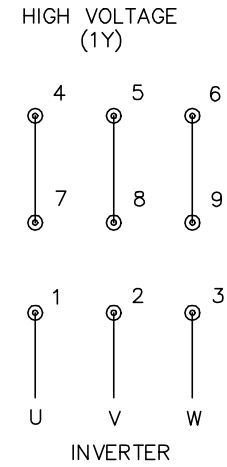
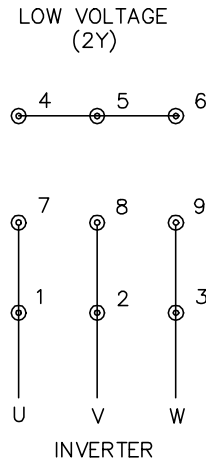
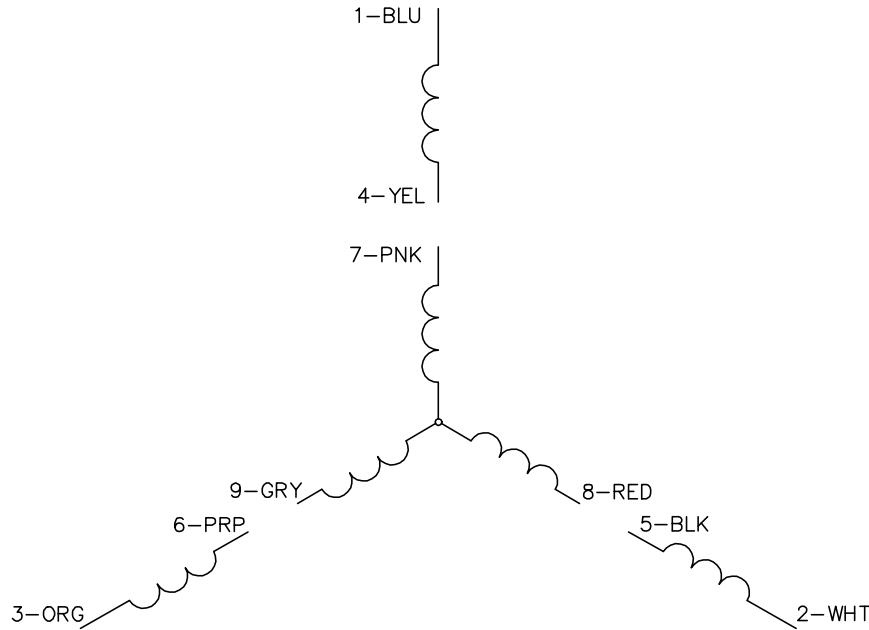
<b>Inverter Code</b>	03
<b>KVA Code</b>	-
<b>Lifting Lugs</b>	No Lifting Lugs
<b>Locked Bearing Indicator</b>	Locked Bearing
<b>Max Speed</b>	4000 rpm
<b>Motor Finish</b>	UNPAINTED
<b>Motor Lead Quantity/Wire Size</b>	9 @ 14 AWG
<b>Motor Lead Termination</b>	Flying Leads
<b>Motor Standards</b>	NEMA
<b>Motor Type</b>	3548B
<b>Mounting Arrangement</b>	F1
<b>Number of Poles</b>	4
<b>Overall Length</b>	16.28 IN
<b>Power Factor</b>	97
<b>Product Family</b>	WD All SS Encapsulated
<b>Pulley End Bearing Type</b>	Sealed Bearing
<b>Pulley Face Code</b>	C-Face
<b>Pulley Shaft Indicator</b>	Standard
<b>Rodent Screen</b>	None
<b>Service Factor</b>	1.15
<b>Shaft Diameter</b>	0.875 IN
<b>Shaft Ground Indicator</b>	No Shaft Grounding
<b>Shaft Rotation</b>	Reversible
<b>Shaft Slinger Indicator</b>	No Slinger
<b>Speed</b>	1800 rpm
<b>Speed Code</b>	Single Speed
<b>Starting Method</b>	Direct on line
<b>Thermal Device - Bearing</b>	None
<b>Thermal Device - Winding</b>	None
<b>Vibration Sensor Indicator</b>	No Vibration Sensor
<b>Winding Thermal 1</b>	None
<b>Winding Thermal 2</b>	None

**Nameplate**

<b>NP4427DLT49A</b>											
<b>CAT #</b>	CFSSP5M3564T-E-G					<b>WT</b>	70	<b>LBS</b>			
<b>SPEC</b>	35E6722G925G1					<b>ENCL</b>	TEFC				
<b>SER #</b>				<b>FRAME</b>	145TC		<b>IP</b>	69			
<b>HP</b>	5		<b>RATING</b>	40C AMB-CONT							
<b>NEMA NOM. EFF</b>	93	<b>PF</b>	97	<b>HZ</b>	60	<b>PH</b>	3	<b>CLASS</b>	H		
<b>VOLTS</b>	230/460			<b>AMPS</b>	10.4/5.2						
<b>SER.F.</b>	1.15	<b>RPM</b>	1800		<b>MAX RPM</b>	4000					
<b>BEMF (V)</b>	123/247			<b>RS (OHMS)</b>	0.84/3.35						
<b>LD(MH)</b>	8.1/32.4			<b>LQ(MH)</b>	37.7/150.6						
<b>VPWM</b>	<b>CHP</b>	60		<b>TO</b>	133						
<b>CT</b>	6	<b>TO</b>	60		<b>VT</b>	6	<b>TO</b>	60			
<b>MATCHED INV</b>	ACS380-04XX-17A5-2 / 09A4-4										
<b>DE</b>	6205		<b>ODE</b>	6205		<b>YR</b>					



CD0005A25



NOTES:

1. INTERCHANGE ANY TWO LINE LEADS TO REVERSE ROTATION.
2. ACTUAL NUMBER OF INTERNAL PARALLEL CIRCUITS MAY BE A MULTIPLE OF THOSE SHOWN ABOVE.
3. LEAD COLORS ARE OPTIONAL. LEADS MUST ALWAYS BE NUMBERED AS SHOWN.

CD0005A25

REV. DESC: NEW		
REV. LTR: -	VERSION: 00	TDR: 000001135746
FILE: \AAA\00253\082	REVISED: 01:10:57 03/30/2020	BY: ENMARSO
MTL: -	© □	

**BALDOR - RELIANCE®**

3PH, DV, 9 LEADS, ECS  
SH 1 of 1