



Customer information packet

CFDL3510M

1HP, 1725RPM, 1PH, 60HZ, 56CH, 3524L, TEFC, F1

Class - None

Division - Not Applicable

Specifications

Enclosure	TEFC
Frame	56CH
Frame Material	Steel
Frequency	60.00 Hz
Motor Letter Type	Cap Start, Induction Run
Output @ Frequency	1.000 HP @ 60 HZ
Phase	1
Synchronous Speed @ Frequency	1800 RPM @ 60 HZ
Voltage @ Frequency	115.0 V @ 60 HZ 230.0 V @ 60 HZ
XP Class and Group	None
XP Division	Not Applicable
Agency Approvals	UR CSA
Ambient Temperature	40 °C
Auxillary Box	No Auxillary Box
Auxillary Box Lead Termination	None
Base Indicator	Rigid
Bearing Grease Type	Polyrex EM (-20F +300F)
Blower	None
Current @ Voltage	13.000 A @ 115.0 V 6.500 A @ 230.0 V 6.800 A @ 208.0 V
Design Code	L
Drip Cover	No Drip Cover
Duty Rating	CONT
Efficiency @ 100% Load	67.0 %
Electrically Isolated Bearing	Not Electrically Isolated
Feedback Device	NO FEEDBACK
Front Face Code	Standard
Front Shaft Indicator	None
Heater Indicator	No Heater

Part detail

Revision	M
Type	AC
Mech. spec.	35E2324
Base	
Status	PRD/A
Elec. spec.	35WGS245
Layout	35LYE2324
Eff. date	09-28-2022
CD Diagram	CD0269
Poles	04
Leads	4#16 A&J,2#18 B PH,1#14 #4TH
Proprietary	False
Created date	12-03-2013

High Voltage Full Load Amps	6.5 a
Insulation Class	F
Inverter Code	Not Inverter
KVA Code	K
Lifting Lugs	No Lifting Lugs
Locked Bearing Indicator	Locked Bearing
Motor Lead Exit	Ko Box
Motor Lead Quantity/Wire Size	4 @ 16 AWG, A&J
Motor Lead Termination	Flying Leads
Motor Standards	NEMA
Motor Type	3524L
Mounting Arrangement	F1
Number of Poles	4
Overall Length	13.25 IN
Power Factor	73
Product Family	General Purpose
Pulley End Bearing Type	Sealed Bearing
Pulley Face Code	C-Face
Pulley Shaft Indicator	Standard
Rodent Screen	None
Service Factor	1.15
Shaft Diameter	0.625 IN
Shaft Extension Location	Pulley End
Shaft Ground Indicator	No Shaft Grounding
Shaft Rotation	Reversible
Shaft Slinger Indicator	Shaft Slinger
Speed	1725 rpm
Speed Code	Single Speed
Starting Method	Direct on line
Thermal Device - Bearing	None
Thermal Device - Winding	None
Vibration Sensor Indicator	No Vibration Sensor
Winding Thermal 1	Manual Thermal Overload
Winding Thermal 1 Location	KO

Winding Thermal 2

None

Nameplate

NP1280L									
CAT.NO.	CFDL3510M								
SPEC.	35E2324S245G1								
HP	1								
VOLTS	115/230								
AMP	13/6.5								
RPM	1725								
FRAME	56CH	HZ	60	PH	1				
SER.F.	1.15	CODE	K	DES	L	CL	F		
NEMA-NOM-EFF	67	PF	73						
RATING	40C AMB-CONT								
CC				USABLE AT 208V	N/A				
DE	6205	ODE	6203						
ENCL	TEFC	SN							

AC Induction Motor Performance Data

Record # 61934

Typical performance - not guaranteed values

Winding: 35WGS245-R004		Type: 3524L		Enclosure: TEFC	
Nameplate Data			115 V, 60 Hz: Low Voltage Connection		
Rated Output (HP)	1	Full Load Torque	3 LB-FT		
Volts	115/230	Start Configuration	direct on line		
Full Load Amps	13/6.5	Breakdown Torque	6.6 LB-FT		
R.P.M.	1725	Pull-up Torque	5.3 LB-FT		
Hz	60 Phase	1	Locked-rotor Torque	9.3 LB-FT	
NEMA Design Code	L	KVA Code	K	Starting Current	74 A
Service Factor (S.F.)	1.15		No-load Current	9.2 A	
NEMA Nom. Eff.	67	Power Factor	73	Line-line Res. @ 25°C	0.693 Ω A Ph 1.77 Ω B Ph
Rating - Duty	40C AMB-CONT		Temp. Rise @ Rated Load	75°C	
S.F. Amps			Temp. Rise @ S.F. Load	87°C	
			Locked-rotor Power Factor	92.3	
			Rotor inertia	0.142 LB-FT ²	

Load Characteristics 115 V, 60 Hz, 1 HP

% of Rated Load	25	50	75	100	125	150	S.F.
Power Factor	34	51	64	72	77	81	75
Efficiency	51.1	63	66.8	66.6	63.9	58.9	65
Speed	1781	1766	1749	1725	1697	1658	1708
Line amperes	9.4	10.2	11.4	13.4	16	19.4	15

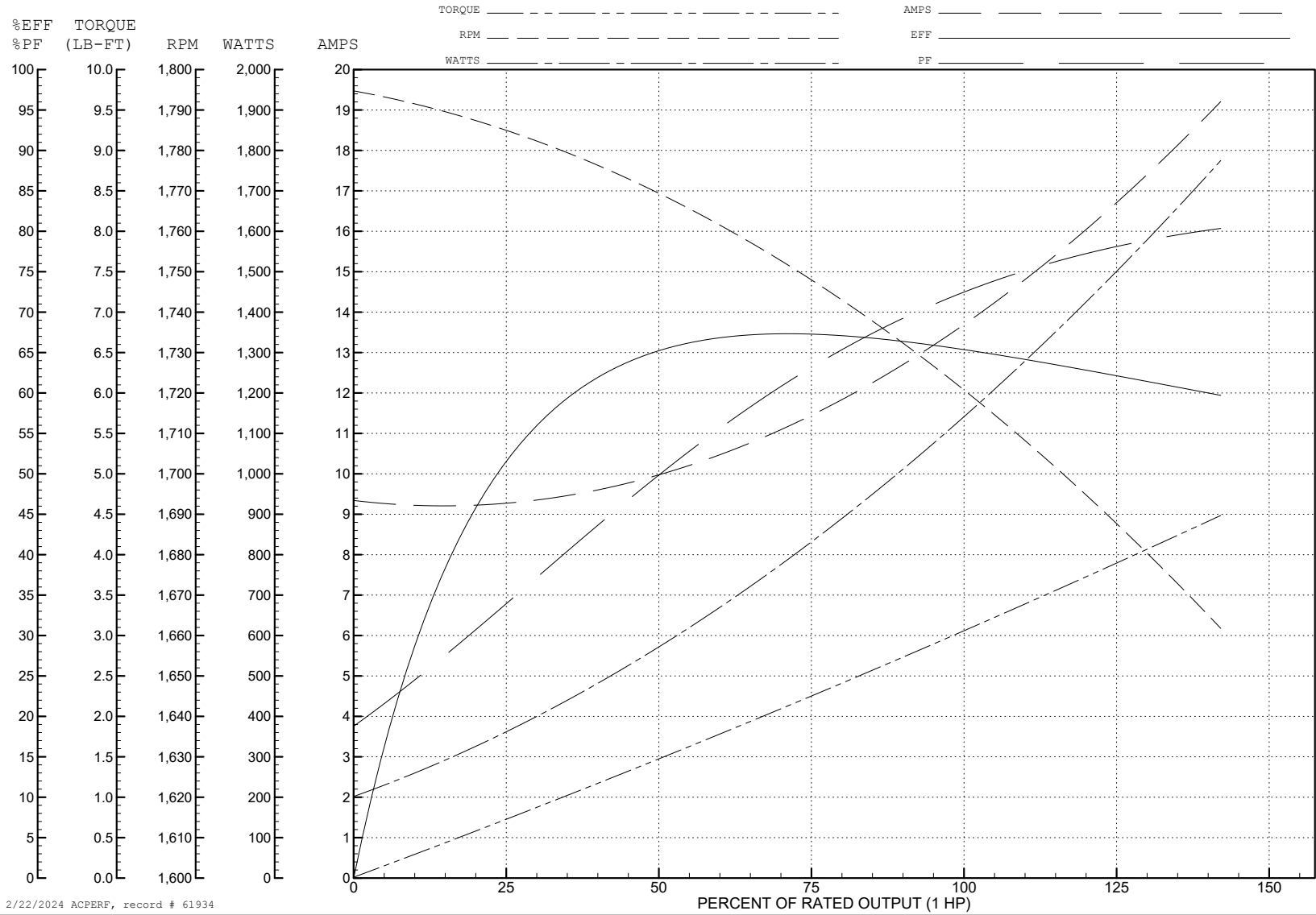
ABB Motors and Mechanical Inc.

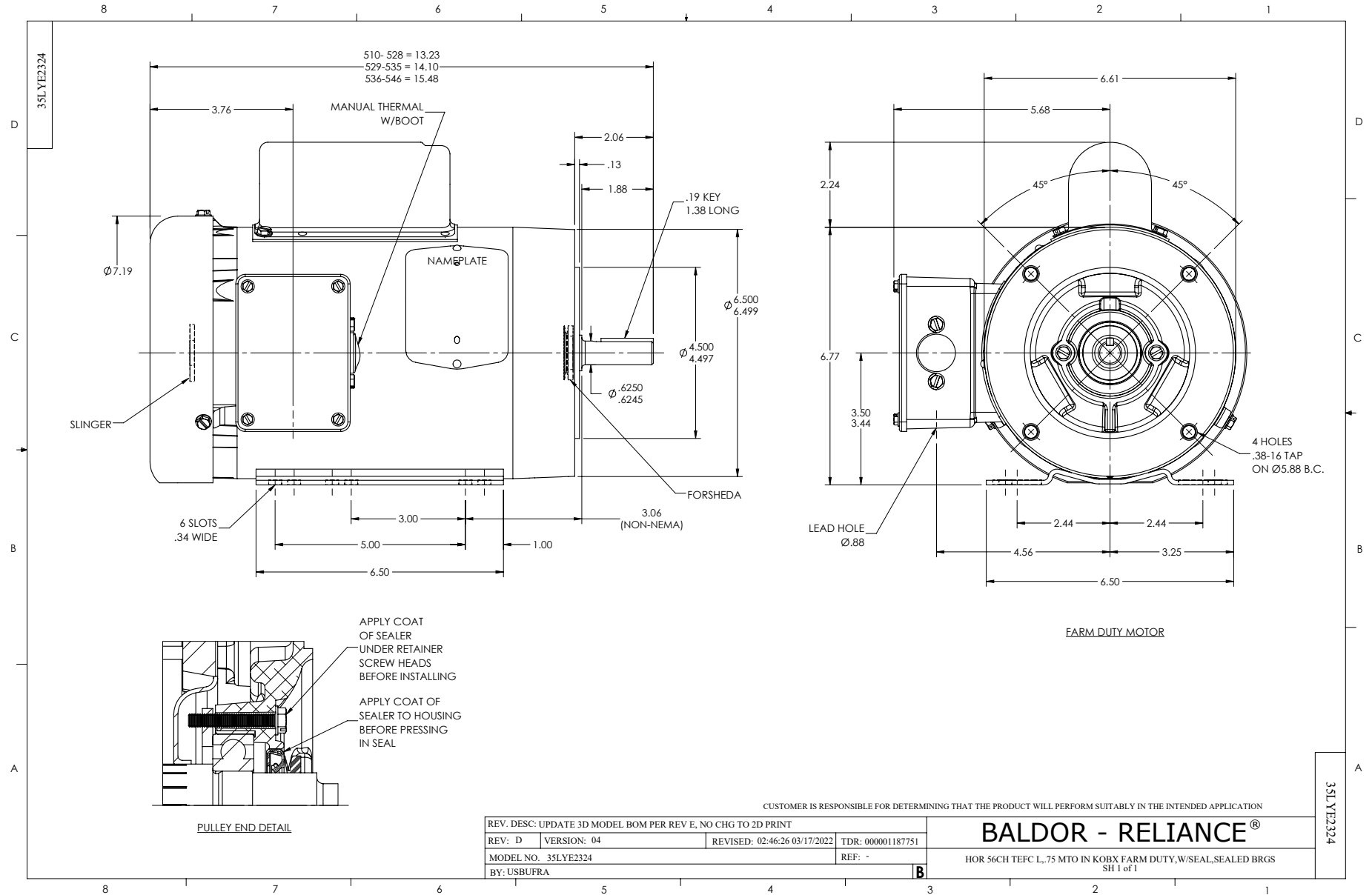
WINDING # 35WGS245

Typical performance - not guaranteed values.

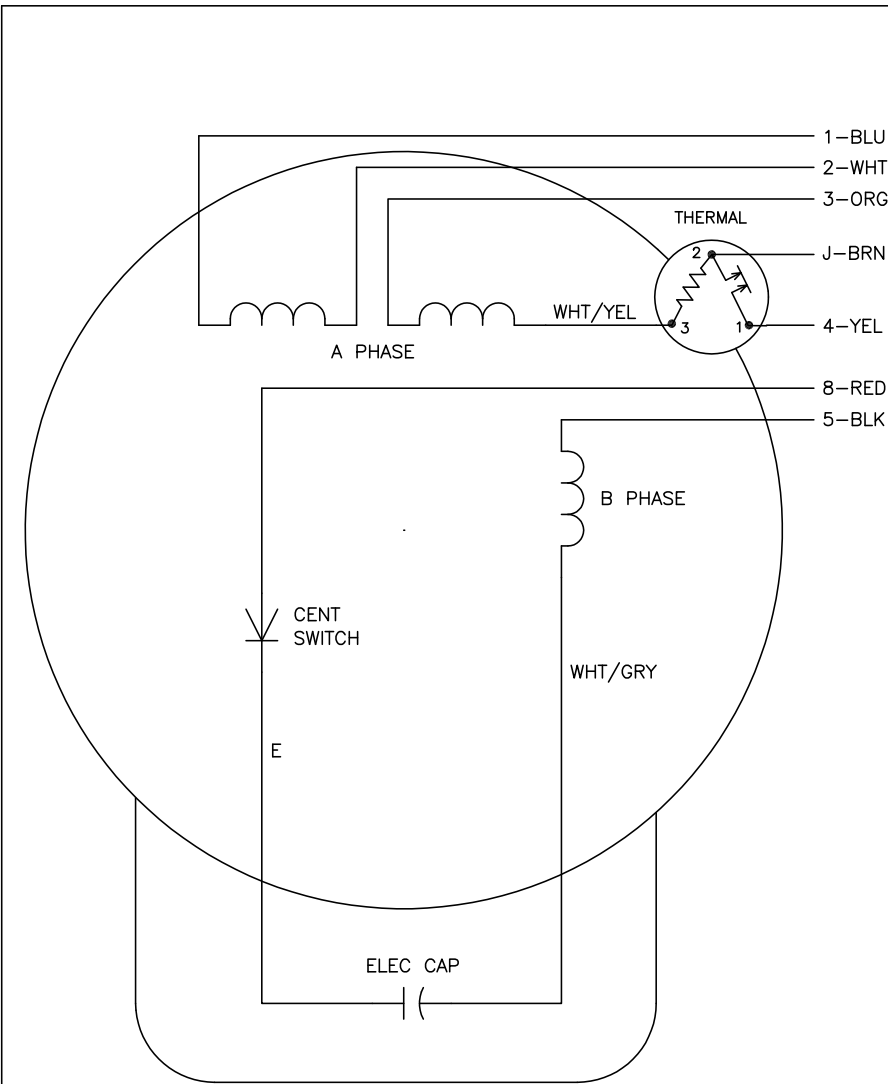
1 HP 1 PH 60 HZ 1725 RPM 115 V 3524L

TORQUES (LB-FT): PO=6.6 PU=5.3 LR=9.3 LRA=74





CD0269



	LINE A	LINE B	JOIN	JOIN
HIGH STD	1,8	4	2,3,5	J
HIGH OPP	1,5	4	2,3,8	J
LOW STD	1,3,8	4	-	2,J,5
LOW OPP	1,3,5	4	-	2,J,8

NOTES:

1. STANDARD ROTATION IS CCW FACING END OPPOSITE SHAFT EXTENSION.
2. MULTIPLE CAPACITORS ARE CONNECTED IN PARALLEL UNLESS OTHERWISE SPECIFIED.
3. LEAD COLORS ARE OPTIONAL. LEADS MUST ALWAYS BE NUMBERED AS SHOWN.

CD0269

REV. DESC: REVISE TO SHOW OPTIONAL COLORS			
REV. LTR: E	BY: JLP	REVISED: 04/08/99 1:07	TDR: 0178636
69Z000		FILE: AAA00007421	MDL: -
		MTL: -	

BALDOR ELECTRIC Co.

TYPE L, DV, REV, THERMAL, B PH AMPS THRU HTR HVC, 7 LEAD