



Customer information packet

CEWDNM3545-H

1HP, 3450RPM, 3PH, 60HZ, 56HC, TENV, F1

Class - None

Division - Not Applicable

Specifications

Enclosure	TENV
Frame	56H
Frame Material	Steel
Frequency	60.00 Hz
Haz Area Class and Group	None
Haz Area Division	Not Applicable
Motor Letter Type	Three Phase
Output @ Frequency	1.000 HP @ 60 HZ
Phase	3
Synchronous Speed @ Frequency	3600 RPM @ 60 HZ
Voltage @ Frequency	230.0 V @ 60 HZ 460.0 V @ 60 HZ
Agency Approvals	UR CSA
Ambient Temperature	40 °C
Auxiliary Box	NO AUXILLARY BOX
Auxiliary Box Lead Termination	None
Base Indicator	Rigid
Bearing Grease Type	Polyrex EM (-20F +300F)
Blower	None
Current @ Voltage	1.300 A @ 460.0 V 2.600 A @ 230.0 V 2.800 A @ 208.0 V
Design Code	B
Drip Cover	No Drip Cover
Duty Rating	CONT
Efficiency @ 100% Load	82.5 %
Electrically Isolated Bearing	Not Electrically Isolated
Feedback Device	NO FEEDBACK
Heater Indicator	No Heater
High Voltage Full Load Amps	1.3 a
Insulation Class	F

Part detail

Revision	D
Type	AC
Mech. spec.	
Base	
Status	PRD/A
Elec. spec.	35WGR933
Layout	35LY-000-259
Eff. date	09-11-2023
CD Diagram	CD0005
Poles	02
Leads	9#18
Proprietary	False
Created date	06-26-2019

Inverter Code	Inverter Ready
IP Rating	IP55
KVA Code	L
Lifting Lugs	No Lifting Lugs
Locked Bearing Indicator	Locked Bearing
Motor Lead Termination	Flying Leads
Motor Standards	NEMA
Motor Type	3516M
Mounting Arrangement	F1
Number of Poles	2
Overall Length	12.06 IN
Power Factor	88
Product Family	Wash Down
Pulley Face Code	C-Face
Rodent Screen	None
Service Factor	1.25
Shaft Diameter	0.625 IN
Shaft Ground Indicator	No Shaft Grounding
Shaft Rotation	Reversible
Speed	3450 rpm
Speed Code	Single Speed
Starting Method	Direct on line
Thermal Device - Bearing	None
Thermal Device - Winding	None
Vibration Sensor Indicator	No Vibration Sensor
Winding Thermal 1	None
Winding Thermal 2	None

Nameplate

NP1496L									
CAT.NO.	CEWDM3545-H								
SPEC.	35-0000-0228								
HP	1								
VOLTS	230/460								
AMP	2.6/1.3								
RPM	3450								
FRAME	56HC		HZ	60		PH	3		
SER.F.	1.25	CODE	L	DES	B	CLASS	F		
NEMA-NOM-EFF	82.5	PF	88						
RATING	40C AMB-CONT								
CC	010A								
DE	6205		ODE	6203					
ENCL	TENV	SN							
	SFA 3.2/1.6								

AC Induction Motor Performance Data

Record # 36591

Typical performance - not guaranteed values

Winding: 35WGR933-R008		Type: 3516M	Enclosure: TENV	
Nameplate Data			460 V, 60 Hz: High Voltage Connection	
Rated Output (HP)	1	Full Load Torque	1.5 LB-FT	
Volts	230/460	Start Configuration	direct on line	
Full Load Amps	2.6/1.3	Breakdown Torque	7.5 LB-FT	
R.P.M.	3450	Pull-up Torque	4.2 LB-FT	
Hz	60 Phase	Locked-rotor Torque	5.6 LB-FT	
NEMA Design Code	B KVA Code	Starting Current	12.4 A	
Service Factor (S.F.)	1.25	No-load Current	0.63 A	
NEMA Nom. Eff.	82.5 Power Factor	Line-line Res. @ 25°C	15.3 Ω	
Rating - Duty	40C AMB-CONT	Temp. Rise @ Rated Load	80°C	
S.F. Amps	3.2/1.6	Temp. Rise @ S.F. Load	101°C	
		Locked-rotor Power Factor	56	
		Rotor inertia	0.0443 LB-FT ²	

Load Characteristics 460 V, 60 Hz, 1 HP

% of Rated Load	25	50	75	100	125	150	S.F.
Power Factor	48	69	81	86	88	90	88
Efficiency	71.6	80.5	83.5	83.7	83	81.3	83
Speed	3560	3529	3494	3462	3423	3378	3423
Line amperes	0.7	0.85	1.04	1.28	1.58	1.86	1.58

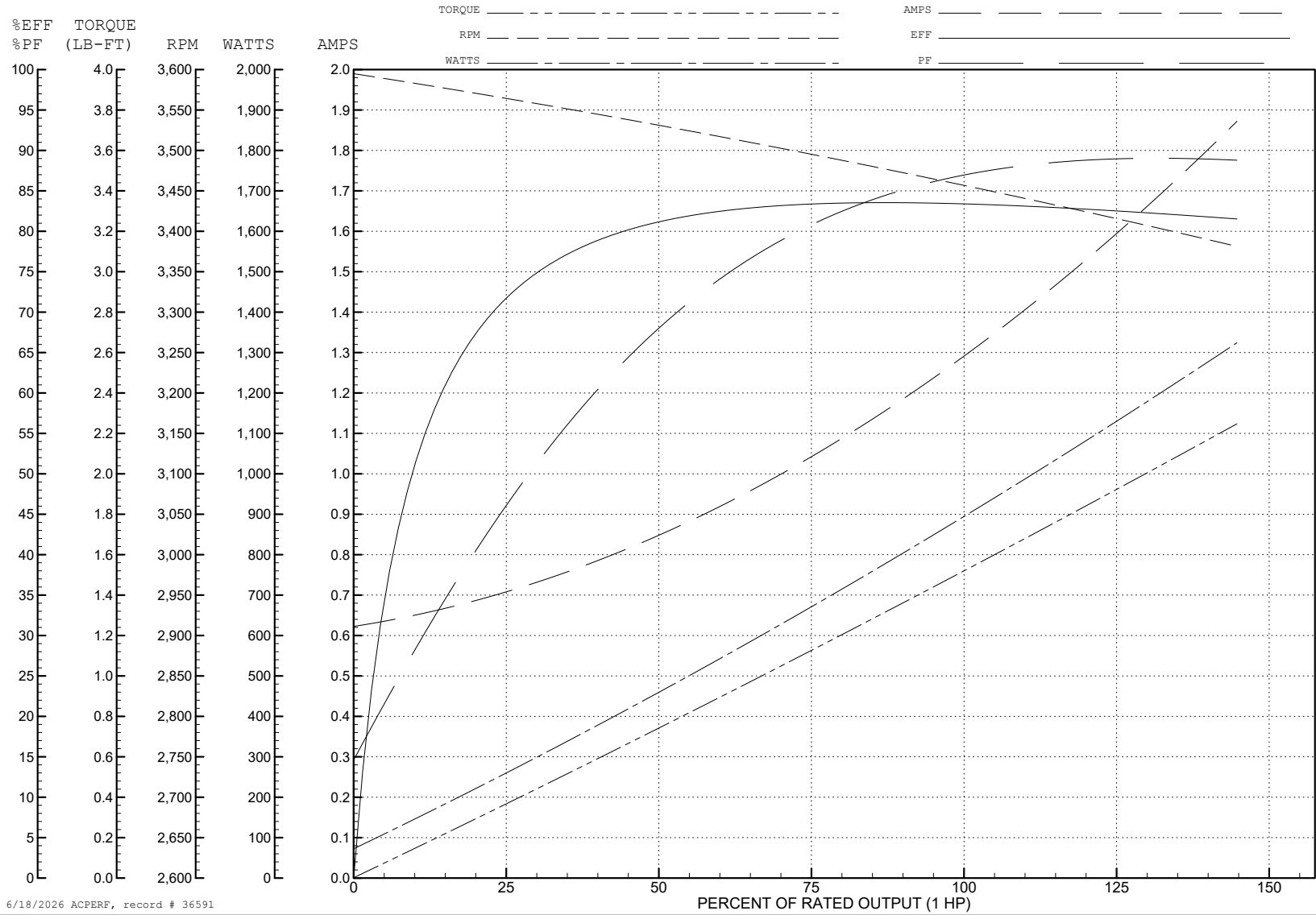
ABB Motors and Mechanical Inc.

WINDING # 35WGR933

1 HP 3 PH 60 HZ 3450 RPM 460 V 3516M

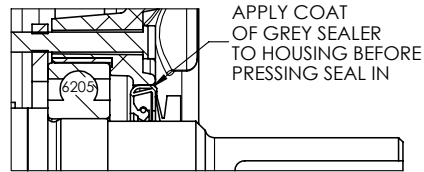
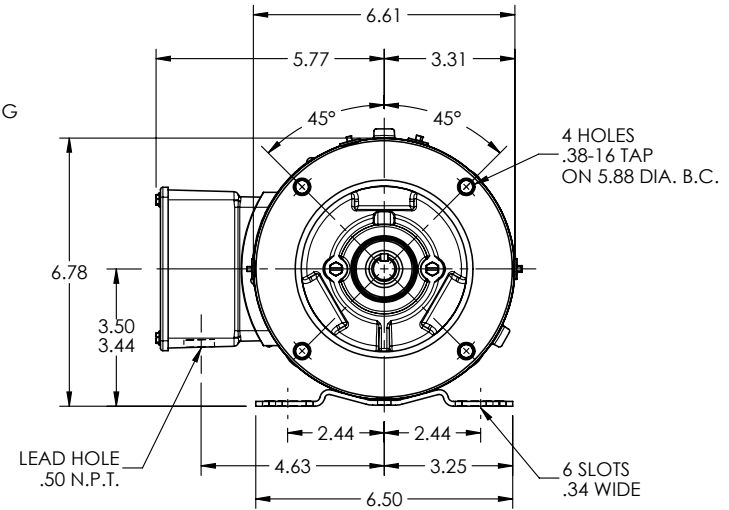
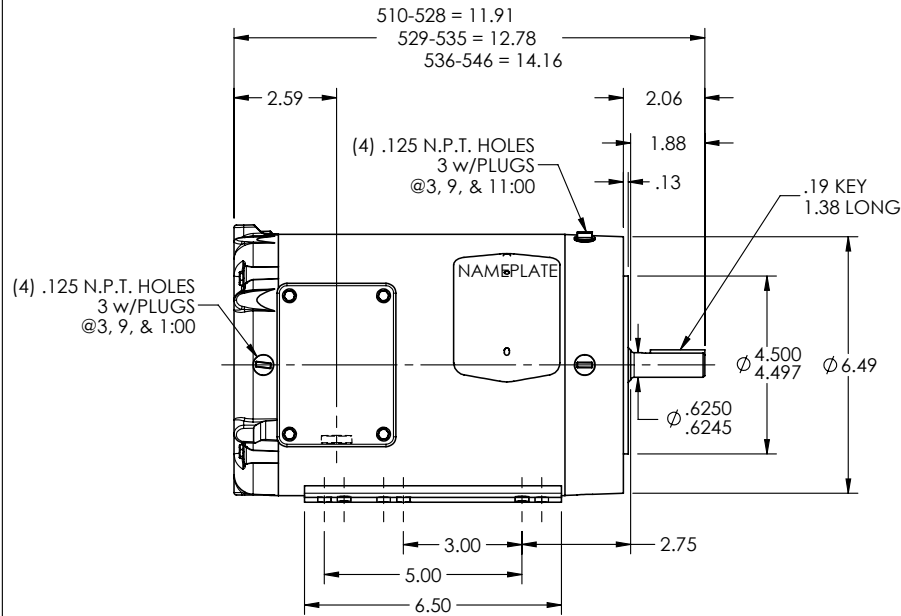
Typical performance - not guaranteed values.

TORQUES (LB-FT): PO=7.5 PU=4.2 LR=5.6 LRA=12.4



6/18/2026 ACPERF, record # 36591

35LY-000-259



PULLEY END DETAIL

CUSTOMER IS RESPONSIBLE FOR DETERMINING THAT THE PRODUCT WILL PERFORM SUITABLY IN THE INTENDED APPLICATION

REV. DESC: UPDATE MATE ERRORS IN 3D MODEL			
REV: A	VERSION: 01	REVISED: 08:47:50 04/21/2022	TDR: 000001188385
657-000-ATCE		MODEL NO. 35LY-000-259	REF: -
		BY: USBUFRA	

BALDOR - RELIANCE®

STD HORZ 56HC TENV 35M WD

35LY-000-259

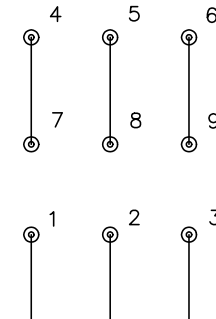
CD0005



LOW VOLTAGE
(2Y)



HIGH VOLTAGE
(1Y)



NOTES:

1. INTERCHANGE ANY TWO LINE LEADS TO REVERSE ROTATION.
2. OPTIONAL THERMOSTATS ARE PROVIDED WHEN SPECIFIED.
3. ACTUAL NUMBER OF INTERNAL PARALLEL CIRCUITS MAY BE A MULTIPLE OF THOSE SHOWN ABOVE.
4. LEAD COLORS ARE OPTIONAL. LEADS MUST ALWAYS BE NUMBERED AS SHOWN.

CD0005

REV. DESC: REVISE TO SHOW OPTIONAL COLORS			
REV. LTR: E	BY: JLP	REVISED: 01/19/99 10:15	TDR: 0171435
S00000		FILE: AAA00005140	MDL: -
		MTL: -	

BALDOR ELECTRIC Co.

3PH, DV, 9 LEADS