



Customer information packet

CEWDM4316T

75HP, 1785RPM, 3PH, 60HZ, 365TC, TEFC, F1

Class - None

Division - Not Applicable

Specifications

Enclosure	TEFC
Frame	365TC
Frame Material	Iron
Frequency	60.00 Hz
Haz Area Class and Group	None
Haz Area Division	Not Applicable
Motor Letter Type	Three Phase
Output @ Frequency	75.000 HP @ 60 HZ
Phase	3
Synchronous Speed @ Frequency	1800 RPM @ 60 HZ
Voltage @ Frequency	230.0 V @ 60 HZ 460.0 V @ 60 HZ
Agency Approvals	CSA EEV CCSA US
Ambient Temperature	40 °C
Auxillary Box	No Auxillary Box
Base Indicator	Rigid
Bearing Grease Type	Polyrex EM (-20F +300F)
Current @ Voltage	172.000 A @ 230.0 V 188.000 A @ 208.0 V 86.000 A @ 460.0 V
Design Code	B
Drip Cover	No Drip Cover
Duty Rating	CONT
Efficiency @ 100% Load	95.4 %
Enclosure Modification	Severe Duty Features
Feedback Device	NO FEEDBACK
Heater Indicator	No Heater
High Voltage Full Load Amps	86.0 a
Insulation Class	F
Inverter Code	Inverter Ready
IP Rating	IP55

Part detail

Revision	B
Type	AC
Mech. spec.	
Base	
Status	PRD/A
Elec. spec.	A36WG4076
Layout	617428-348
Eff. date	12-09-2021
CD Diagram	416820-002
Poles	04
Leads	3#4,6#6
Proprietary	False
Created date	08-23-2019

KVA Code	G
Lifting Lugs	Standard Lifting Lugs
Motor Lead Quantity/Wire Size	3 @ 4 AWG
Motor Standards	NEMA
Motor Type	A36070M
Mounting Arrangement	F1
Number of Poles	4
Overall Length	33.48 IN
Power Factor	86
Product Family	Washdown Features
Pulley End Bearing Type	Ball
Pulley Face Code	C-Face
Service Factor	1.15
Shaft Diameter	2.374 IN
Shaft Ground Indicator	No Shaft Grounding
Shaft Rotation	Reversible
Shaft Slinger Indicator	Shaft Slinger
Speed	1785 rpm
Speed Code	Single Speed
Starting Method	Direct on line
Thermal Device - Bearing	None
Thermal Device - Winding	None

Nameplate

NP2496L	
MOBIL POLYREX EM	

NP2428L

SPEC NO.	A36-7277-4076	CAT.NO.	CEWDM4316T	FRAME	365TC				
HP	75	VOLTS	230/460	PHASE	3	DESIGN	B	TYPE	P
RPM	1785	AMPS	172/86	HZ	60	AMB	40	SF	1.15
DRIVE END BEARING	65BC03JGG30A	DUTY	CONT	INSUL.CLASS	F				
OPP D.E. BEARING	65BC03JGG30A	ENCL	TEFC	CODE	G				
SER.NO.		POWER FACTOR	86	NEMA-NOM-EFFICIENCY	95.4				
		MAX CORR KVAR	15.8	GUARANTEED EFFICIENCY	94.5				
	IP55	NEMA NOM/CSA QUOTED EFF							
	4:1CT AND 4:1VT ON VPWM INVERT	ER, 1.00SF		MOTOR WEIGHT					

617428-348

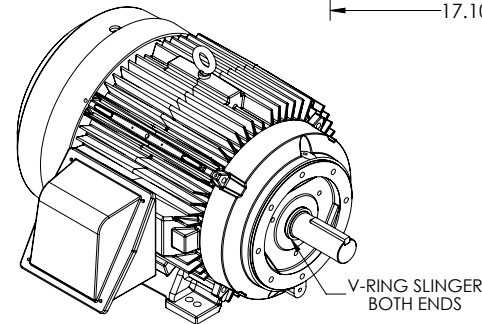
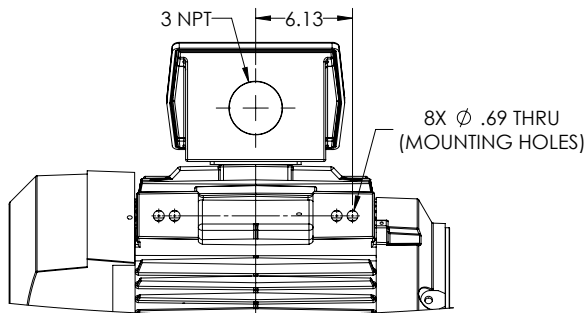
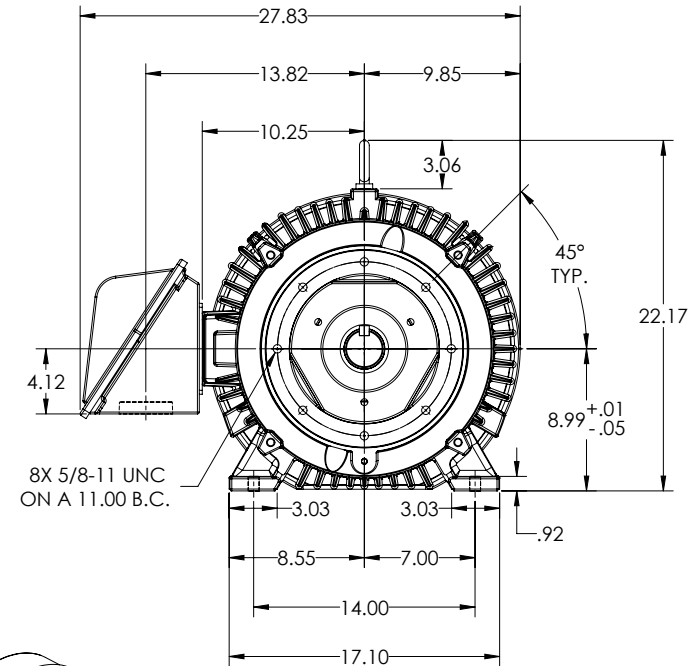
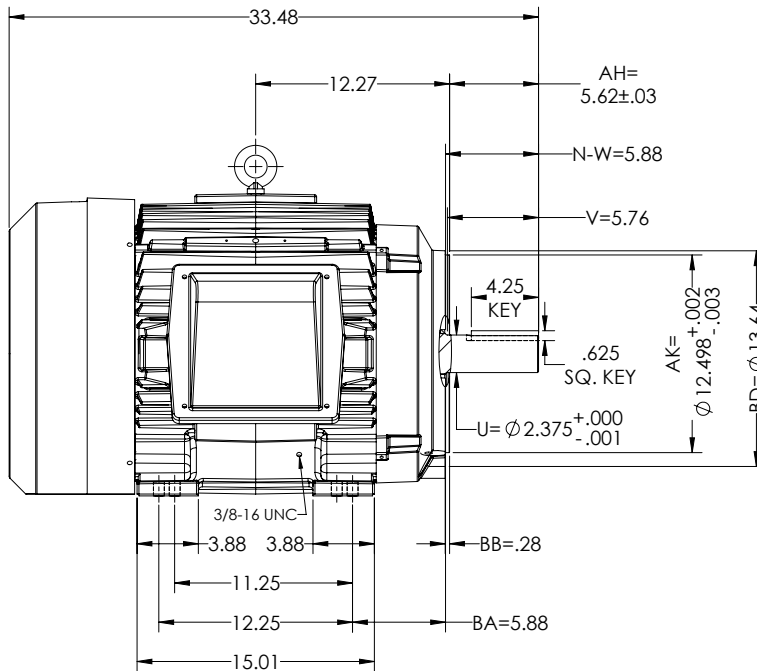
DUTY MASTER ALTERNATING CURRENT MOTORS
SQUIRREL-CAGE INDUCTION

ENCLOSURE: TOTALLY ENCLOSED

MOUNTING: FOOT, F-1 SIDE

E365TC/E364TC MOUNTING HOLES

COOLING: FAN COOLED



SHEET NUMBER
1 OF 1

FACE & ECCENTRICITY RUNOUT = .007 T.I.R. MAX.
IF MOUNTING CLEARANCE DETAILS ARE REQUIRED, CONSULT FACTORY.
MAX PERMISSIBLE SHAFT RUNOUT WHEN MEASURED AT END OF STANDARD SHAFT EXTENSION IS .003" T.I.R.

CUSTOMER IS RESPONSIBLE FOR DETERMINING THAT MOTOR PERFORMANCE IS SUITABLE IN THE APPLICATION.

REV. DESC. FROM AN AH OF 3.50 TO AN AH OF 5.62			
REV: A	VERSION: 01	REVISED: 08/21/20 03/21/2018	TDR: 00001065046
MODEL NO. 617428-348			
BY: USJEDH			

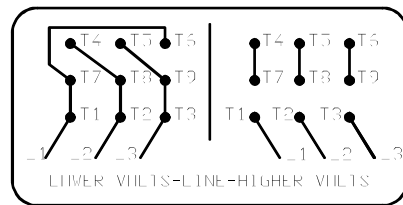
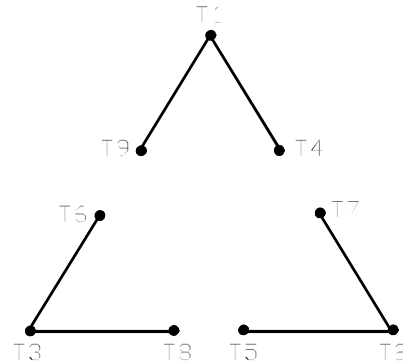
BALDOR

E365/364TC TEFC FOOT F1 CI CONDUIT BOX/SLINGERS/GROUND TAP

617428-348

416820-002

A-C MOTOR
 CONNECTION DIAGRAM
 STANDARD 9 LEAD DELTA-CONNECTED



(N.P. 1575-B)

416820-002

REV. DESC: FONT CHANGE FOR PDF SEARCHABLE		
REV. LTR: A	VERSION: 01	TDR: 000001009382
FILE: \MGA\00000\661	REVISED: 02:46:19 02/13/2020	BY: MGHMTT
MTL: -	© □	

BALDOR - RELIANCE®

CONN DIAG - STANDARD 9 LEAD, DELTA-CONNECTED

SH 1 of 1