

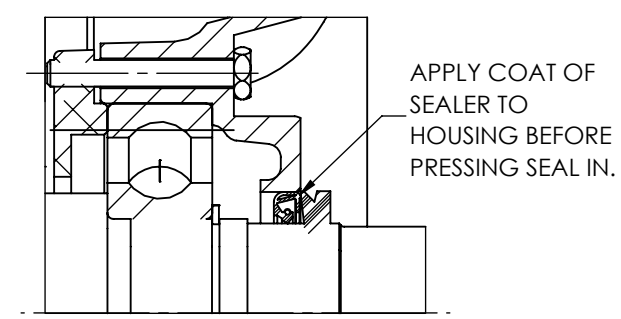
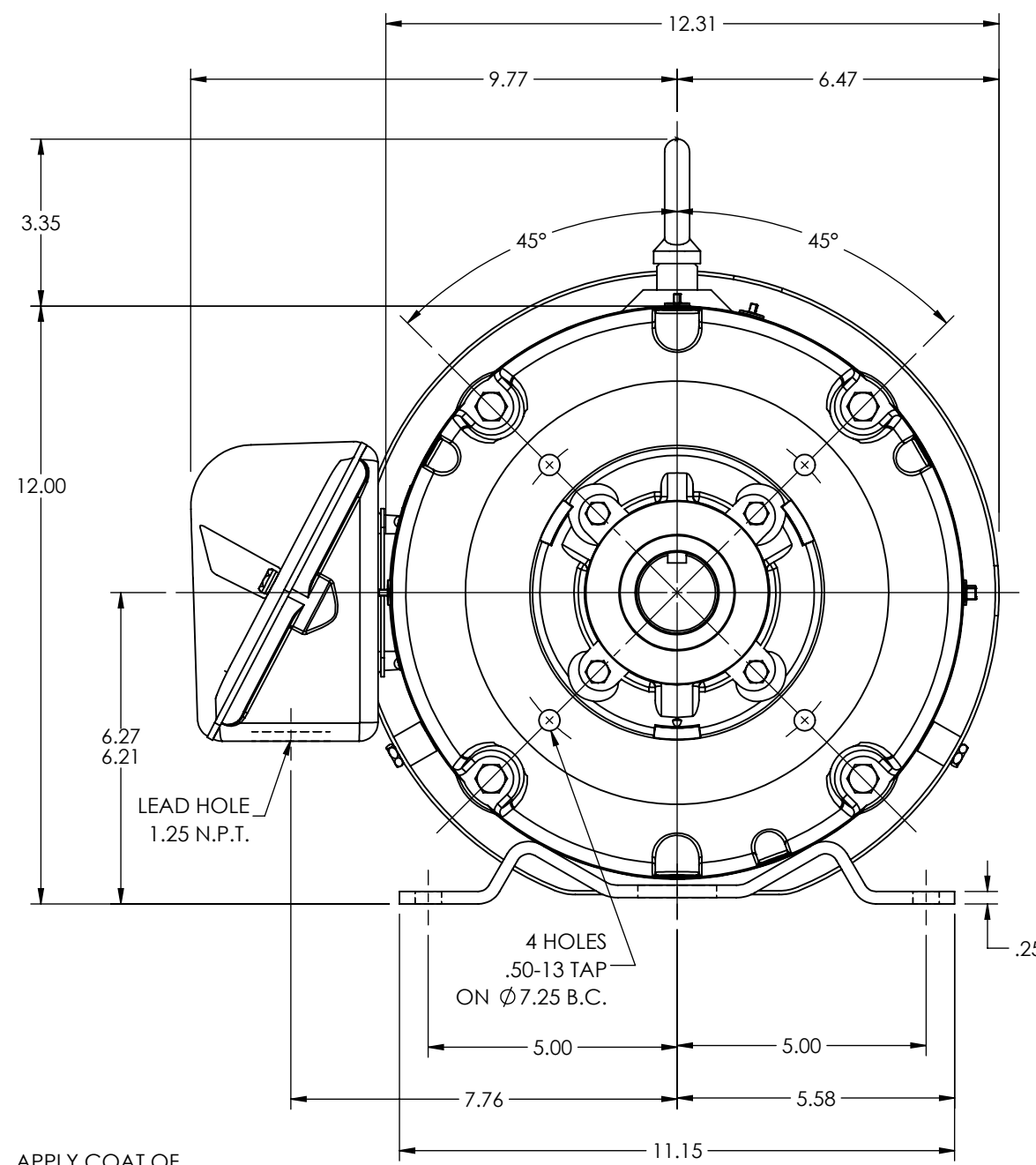
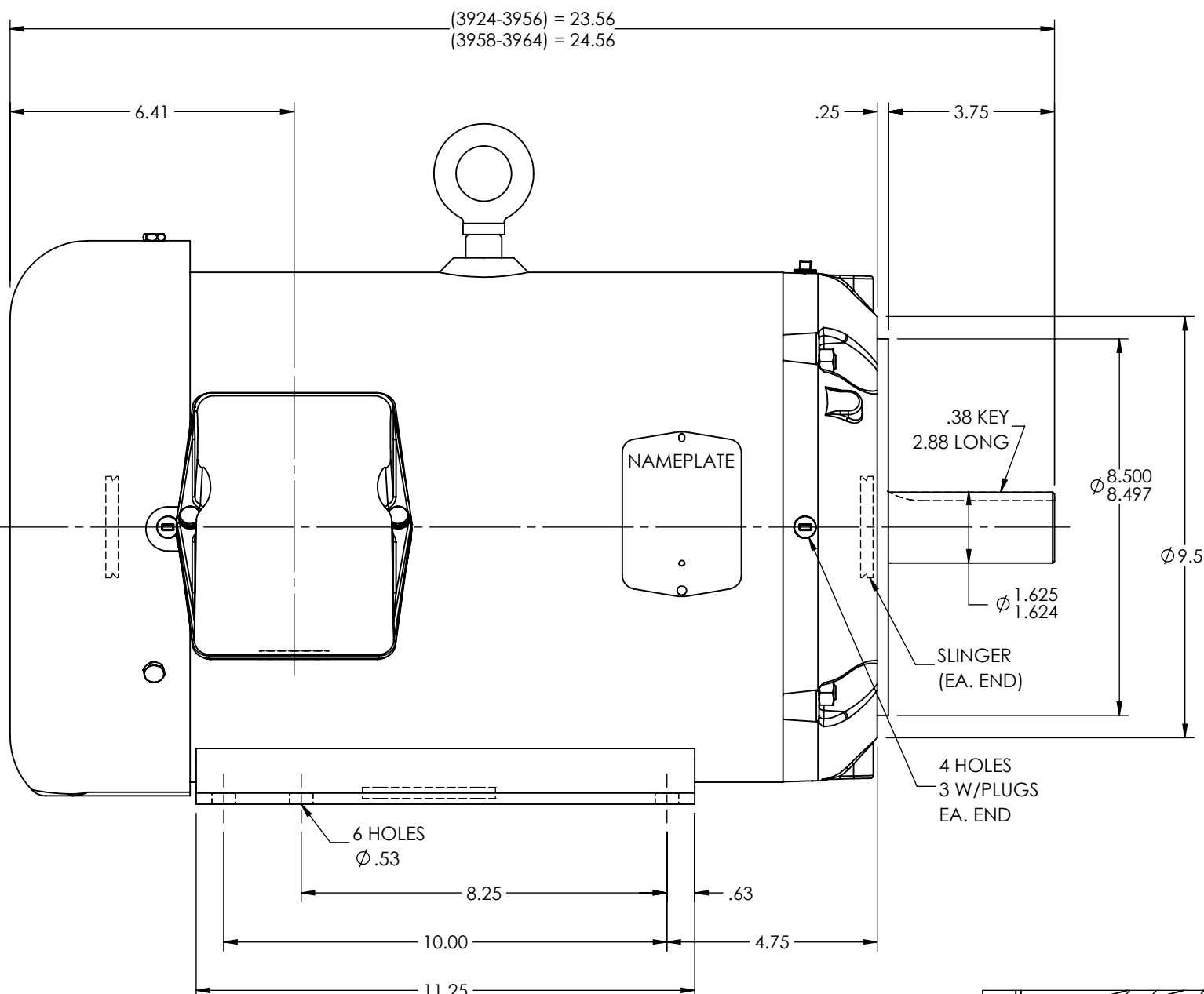
39LYR098

D

C

B

A



PULLEY END DETAIL

D

C

B

A

39LYR098

CUSTOMER IS RESPONSIBLE FOR DETERMINING THAT THE PRODUCT WILL PERFORM SUITABLY IN THE INTENDED APPLICATION

| | | | |
|---------------------------------------|-------------|------------------------------|-------------------|
| REV. DESC: LOAD DRAWING TO SOLIDWORKS | | | |
| REV: J | VERSION: 09 | REVISED: 08:29:23 02/12/2020 | TDR: 000001132140 |
| MODEL NO. 39LYR098 | | | REF: - |
| BY: ENALEM0 | | | B |

BALDOR - RELIANCE®

HOR TEFC 254-6TC WD

8 7 6 5 4 3 2 1