

BALDOR • RELIANCE

Customer information packet

CEWDM4111T

25HP, 1180RPM, 3PH, 60HZ, 324TC, TEFC, F1

Class - None

Division - Not Applicable

Specifications

Enclosure	TEFC
Frame	324TC
Frame Material	Iron
Frequency	60.00 Hz
Haz Area Class and Group	None
Haz Area Division	Not Applicable
Motor Letter Type	Three Phase
Output @ Frequency	25.000 HP @ 60 HZ
Phase	3
Synchronous Speed @ Frequency	1200 RPM @ 60 HZ
Voltage @ Frequency	230.0 V @ 60 HZ 460.0 V @ 60 HZ
Agency Approvals	CSA CSA EEV NEMA PREMIUM UR
Ambient Temperature	40 °C
Auxillary Box	No Auxillary Box
Auxillary Box Lead Termination	None
Base Indicator	Rigid
Bearing Grease Type	Polyrex EM (-20F +300F)
Blower	None
Current @ Voltage	63.000 A @ 230.0 V 32.000 A @ 460.0 V
Design Code	A
Drip Cover	No Drip Cover
Duty Rating	CONT
Efficiency @ 100% Load	93.0 %
Electrically Isolated Bearing	Not Electrically Isolated
Enclosure Modification	Severe Duty Features
Feedback Device	NO FEEDBACK
Heater Indicator	No Heater

Part detail

Revision	H
Type	AC
Mech. spec.	
Base	
Status	PRD/A
Elec. spec.	12WGY116
Layout	12LYP032
Eff. date	02-21-2024
CD Diagram	CD0180
Poles	06
Leads	9#8
Proprietary	False
Created date	08-16-2019

High Voltage Full Load Amps	32.0 a
Insulation Class	F
Inverter Code	Inverter Duty
IP Rating	IP55
KVA Code	H
Lifting Lugs	Standard Lifting Lugs
Locked Bearing Indicator	Locked Bearing
Max Speed	1800 rpm
Motor Lead Termination	Flying Leads
Motor Standards	NEMA
Motor Type	1260M
Mounting Arrangement	F1
Number of Poles	6
Overall Length	30.28 IN
Power Factor	79
Product Family	Washdown Features
Pulley Face Code	C-Face
Rodent Screen	None
Service Factor	1.00
Shaft Diameter	2.125 IN
Shaft Ground Indicator	No Shaft Grounding
Shaft Rotation	Reversible
Speed	1180 rpm
Speed Code	Single Speed
Starting Method	Direct on line
Thermal Device - Bearing	None
Thermal Device - Winding	None
Vibration Sensor Indicator	No Vibration Sensor
Winding Thermal 1	None
Winding Thermal 2	None

Nameplate

NP1669L									
CAT.NO.	CEWDM4111T								
SPEC.	12-0000-0982								
HP	25								
VOLTS	230/460 20:1 CT/VT								
AMP	63/32								
RPM	1180								
FRAME	324TC		HZ	60		PH	3		
SER.F.	1.00	CODE	H	DES	A	CLASS	F		
NEMA-NOM-EFF	93	PF	79						
RATING	40C AMB-CONT								
CC	010A								
DE	6312		ODE	6311					
ENCL	TEFC	SN							
BLANK	1.15SF ON SINEWAVE								

AC Induction Motor Performance Data

Record # 34363

Typical performance - not guaranteed values

Winding: 12WGY116-R001		Type: 1260M	Enclosure: TEFC	
Nameplate Data			460 V, 60 Hz: High Voltage Connection	
Rated Output (HP)	25	Full Load Torque	111 LB-FT	
Volts	230/460	Start Configuration	direct on line	
Full Load Amps	63/32	Breakdown Torque	308 LB-FT	
R.P.M.	1180	Pull-up Torque	117 LB-FT	
Hz	60 Phase	3	Locked-rotor Torque	171 LB-FT
NEMA Design Code	A KVA Code	H	Starting Current	198 A
Service Factor (S.F.)	1.15	No-load Current	13.8 A	
NEMA Nom. Eff.	93 Power Factor	79	Line-line Res. @ 25°C	0.27033 Ω
Rating - Duty	40C AMB-CONT	Temp. Rise @ Rated Load	46°C	
S.F. Amps		Temp. Rise @ S.F. Load	56°C	
		Locked-rotor Power Factor	28	
		Rotor inertia	11.5 LB-FT ²	

Load Characteristics 460 V, 60 Hz, 25 HP

% of Rated Load	25	50	75	100	125	150	S.F.
Power Factor	43	65	75	79	81	81	80
Efficiency	89.1	92.8	93.5	93.2	92.6	91.5	92.8
Speed	1195.4	1191.8	1188.2	1183.9	1179.3	1172.9	1181
Line amperes	15.6	19.7	25.4	31.9	39.2	49.1	36.3

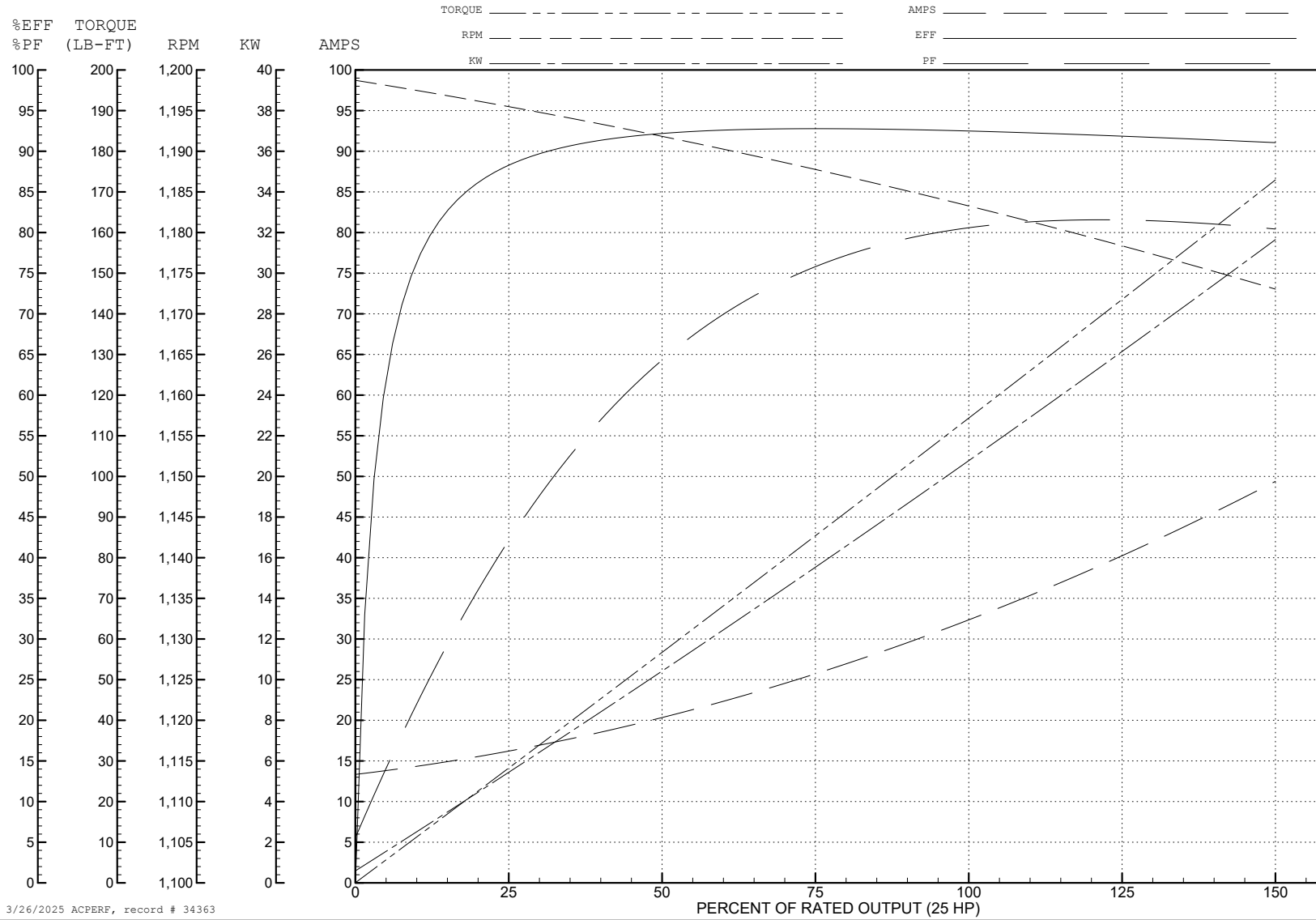
ABB Motors and Mechanical Inc.

WINDING # 12WGY116

Typical performance - not guaranteed values.

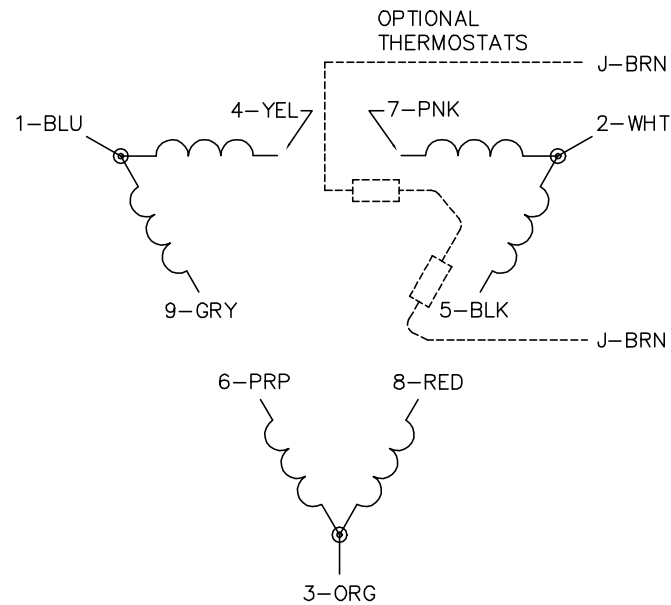
25 HP 3 PH 60 HZ 1180 RPM 460 V 1260M

TORQUES (LB-FT): PO=308 PU=117 LR=171 LRA=198

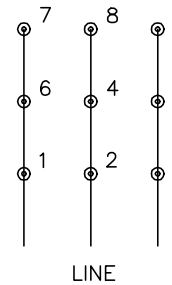


3/26/2025 ACPERF, record # 34363

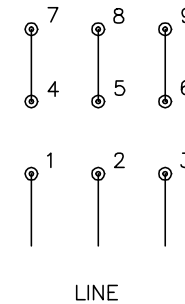
CD0180



LOW VOLTAGE
(2D)



HIGH VOLTAGE
(1D)



NOTES:

1. INTERCHANGE ANY TWO LINE LEADS TO REVERSE ROTATION.
2. OPTIONAL THERMOSTATS ARE PROVIDED WHEN SPECIFIED.
3. ACTUAL NUMBER OF INTERNAL PARALLEL CIRCUITS MAY BE A MULTIPLE OF THOSE SHOWN ABOVE.
4. LEAD COLORS ARE OPTIONAL. LEADS MUST ALWAYS BE NUMBERED AS SHOWN.

CD0180

REV. DESC: ADD CLASS CONN00000007		
REV. LTR: D	VERSION: 01	TDR: 000001099922
FILE: \AAA\00005\148	REVISED: 10: 25: 29 02/19/2019	BY: ENBRIRO
MTL: -	© □	

BALDOR - RELIANCE®

3PH, DV, 9 LEADS, DELTA CONNECTION

SH 1 of 1