

**BALDOR • RELIANCE**

---

# Customer information packet

## CEWDM4110T

40HP, 1775RPM, 3PH, 60HZ, 324TC, TEFC, F1

Class - None

Division - Not Applicable

Copyright © All product information within this document is subject to ABB Motors and Mechanical Inc. copyright © protection, unless otherwise noted.

7/23/2024 9:52:21 PM

## Specifications

Enclosure	TEFC
Frame	324TC
Frame Material	Iron
Frequency	60.00 Hz
Haz Area Class and Group	None
Haz Area Division	Not Applicable
Motor Letter Type	Three Phase
Output @ Frequency	40.000 HP @ 60 HZ
Phase	3
Synchronous Speed @ Frequency	1800 RPM @ 60 HZ
Voltage @ Frequency	230.0 V @ 60 HZ 460.0 V @ 60 HZ
Agency Approvals	CSA CSA EEV NEMA PREMIUM UR
Ambient Temperature	40 °C
Auxillary Box	No Auxillary Box
Auxillary Box Lead Termination	None
Base Indicator	Rigid
Bearing Grease Type	Polyrex EM (-20F +300F)
Blower	None
Current @ Voltage	96.000 A @ 230.0 V 48.000 A @ 460.0 V
Design Code	A
Drip Cover	No Drip Cover
Duty Rating	CONT
Efficiency @ 100% Load	94.1 %
Electrically Isolated Bearing	Not Electrically Isolated
Enclosure Modification	Severe Duty Features
Feedback Device	NO FEEDBACK
Heater Indicator	No Heater

## Part detail

Revision	H
Type	AC
Mech. spec.	
Base	
Status	PRD/A
Elec. spec.	12WGY276
Layout	12LYP032
Eff. date	02-21-2024
CD Diagram	CD0180
Poles	04
Leads	9#8
Proprietary	False
Created date	08-16-2019

High Voltage Full Load Amps	48.0 a
Insulation Class	F
Inverter Code	Inverter Duty
IP Rating	IP55
KVA Code	H
Lifting Lugs	Standard Lifting Lugs
Locked Bearing Indicator	Locked Bearing
Max Speed	2700 rpm
Motor Lead Termination	Flying Leads
Motor Standards	NEMA
Motor Type	1254M
Mounting Arrangement	F1
Number of Poles	4
Overall Length	30.28 IN
Power Factor	82
Product Family	Washdown Features
Pulley Face Code	C-Face
Rodent Screen	None
Service Factor	1.00
Shaft Diameter	2.125 IN
Shaft Ground Indicator	No Shaft Grounding
Shaft Rotation	Reversible
Speed	1775 rpm
Speed Code	Single Speed
Starting Method	Direct on line
Thermal Device - Bearing	None
Thermal Device - Winding	None
Vibration Sensor Indicator	No Vibration Sensor
Winding Thermal 1	None
Winding Thermal 2	None

**Nameplate**

<b>NP1669L</b>									
<b>CAT.NO.</b>	CEWDM4110T								
<b>SPEC.</b>	12-0000-0976								
<b>HP</b>	40								
<b>VOLTS</b>	230/460 20:1 CT/VT								
<b>AMP</b>	96/48								
<b>RPM</b>	1775								
<b>FRAME</b>	324TC		<b>HZ</b>	60		<b>PH</b>	3		
<b>SER.F.</b>	1.00	<b>CODE</b>	H	<b>DES</b>	A	<b>CLASS</b>	F		
<b>NEMA-NOM-EFF</b>	94.1	<b>PF</b>	82						
<b>RATING</b>	40C AMB-CONT								
<b>CC</b>	010A								
<b>DE</b>	6312		<b>ODE</b>	6311					
<b>ENCL</b>	TEFC	<b>SN</b>							
<b>BLANK</b>	1.15SF ON SINEWAVE								

**AC Induction Motor Performance Data**

Record # 51423

Typical performance - not guaranteed values

<b>Winding: 12WGY276-R027</b>		<b>Type: 1254M</b>		<b>Enclosure: TEFC</b>	
<b>Nameplate Data</b>			<b>460 V, 60 Hz: High Voltage Connection</b>		
<b>Rated Output (HP)</b>	40	<b>Full Load Torque</b>	118 LB-FT		
<b>Volts</b>	230/460	<b>Start Configuration</b>	direct on line		
<b>Full Load Amps</b>	96/48	<b>Breakdown Torque</b>	386 LB-FT		
<b>R.P.M.</b>	1775	<b>Pull-up Torque</b>	193 LB-FT		
<b>Hz</b>	60 <b>Phase</b>	3	<b>Locked-rotor Torque</b>	216 LB-FT	
<b>NEMA Design Code</b>	A <b>KVA Code</b>	H	<b>Starting Current</b>	338 A	
<b>Service Factor (S.F.)</b>	1	<b>No-load Current</b>	19.9 A		
<b>NEMA Nom. Eff.</b>	94.1 <b>Power Factor</b>	82	<b>Line-line Res. @ 25°C</b>	0.14898 Ω	
<b>Rating - Duty</b>	40C AMB-CONT	<b>Temp. Rise @ Rated Load</b>	54°C		
		<b>Locked-rotor Power Factor</b>	27		
		<b>Rotor inertia</b>	7.19 LB-FT <sup>2</sup>		

**Load Characteristics 460 V, 60 Hz, 40 HP**

<b>% of Rated Load</b>	<b>25</b>	<b>50</b>	<b>75</b>	<b>100</b>	<b>125</b>	<b>150</b>
<b>Power Factor</b>	47	69	78	83	85	85
<b>Efficiency</b>	90.1	93.5	94.2	94.2	93.8	93.1
<b>Speed</b>	1793.5	1788	1782.5	1776.6	1770.7	1764.1
<b>Line amperes</b>	22.9	29.5	38.4	48.1	59.2	70.8

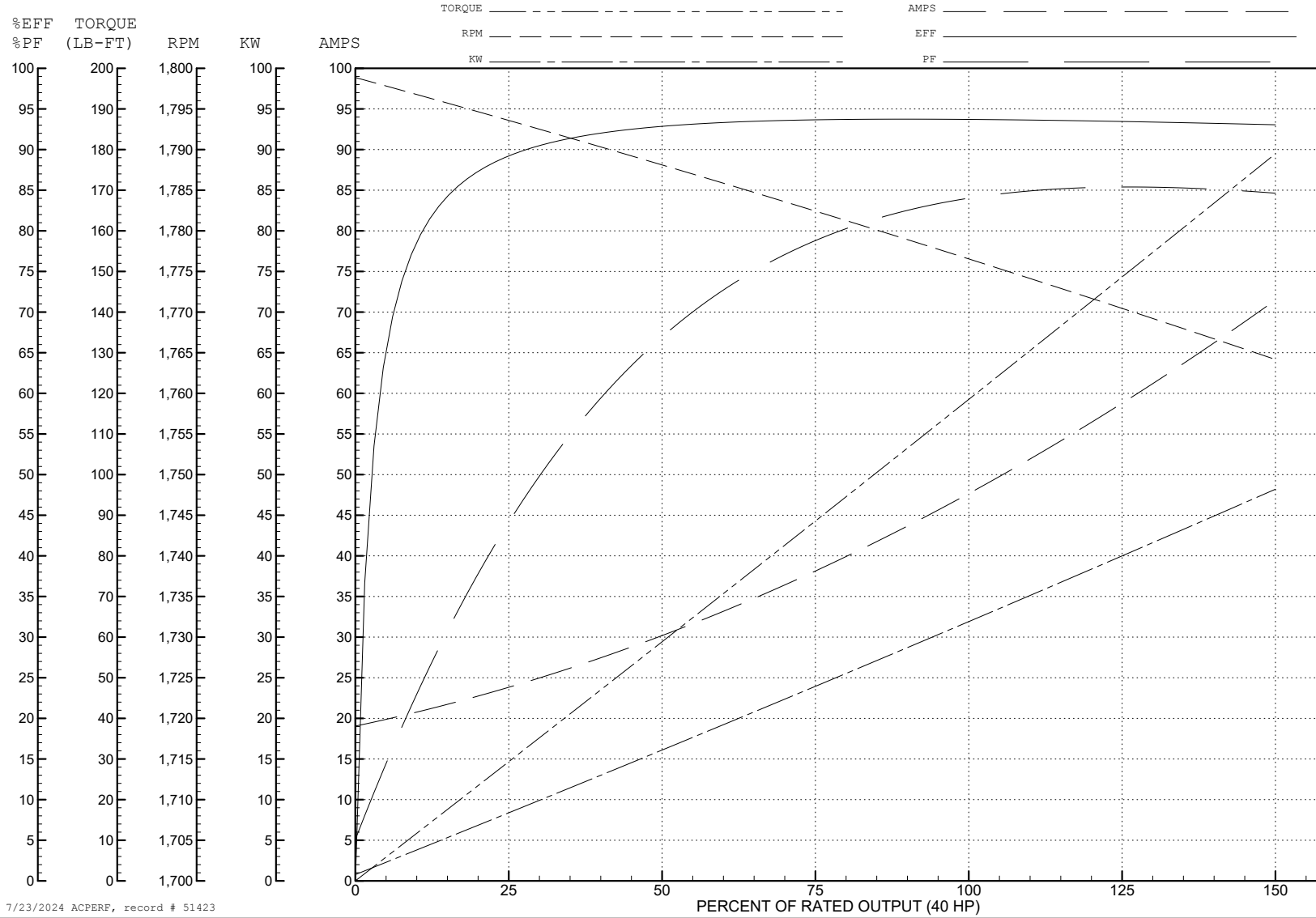
ABB Motors and Mechanical Inc.

WINDING # 12WGY276

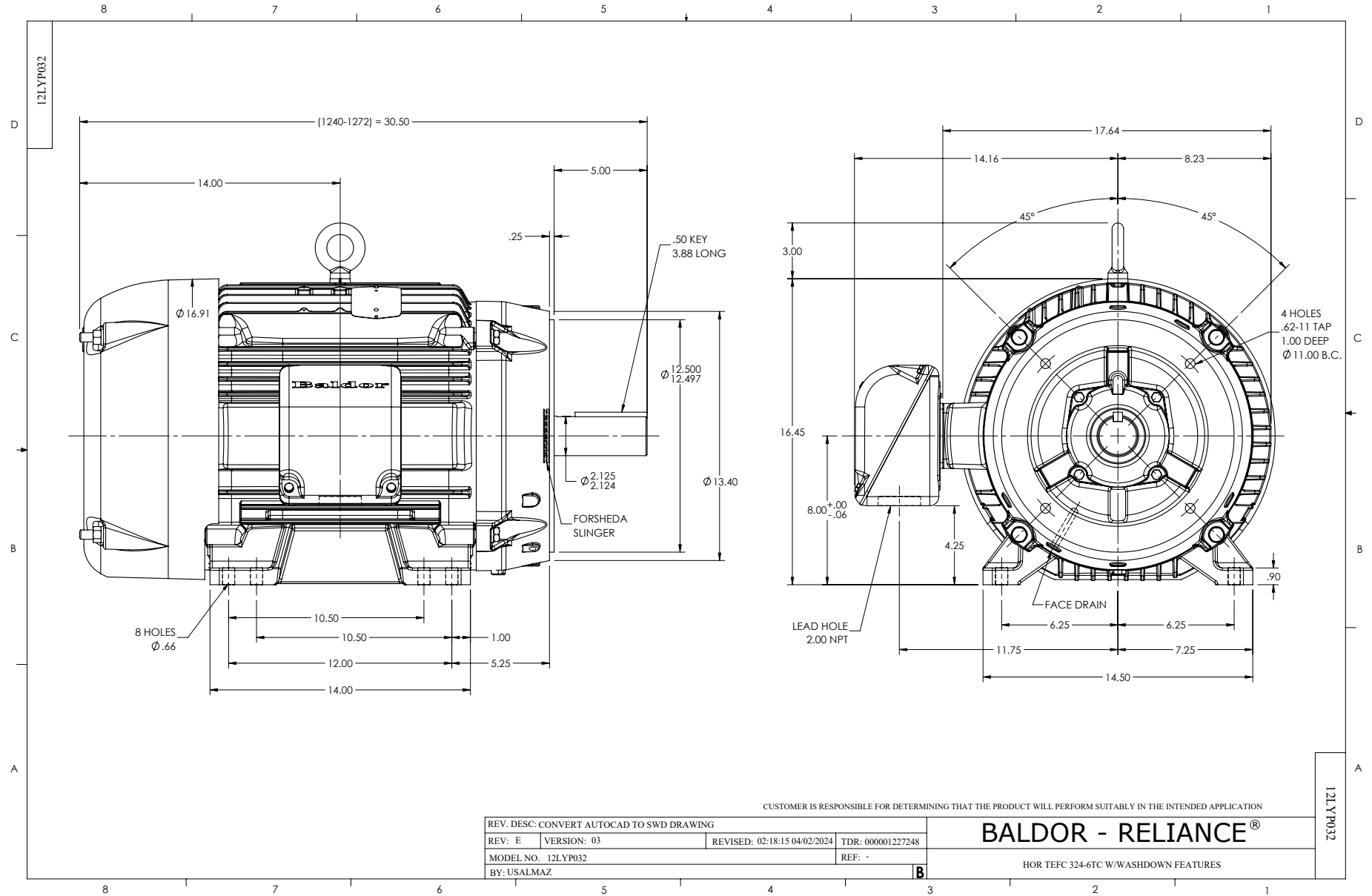
Typical performance - not guaranteed values.

40 HP 3 PH 60 HZ 1775 RPM 460 V 1254M

TORQUES (LB-FT): PO=386 PU=193 LR=216 LRA=338



7/23/2024 ACPERF, record # 51423



CD0180



LOW VOLTAGE  
(2D)



HIGH VOLTAGE  
(1D)



NOTES:

1. INTERCHANGE ANY TWO LINE LEADS TO REVERSE ROTATION.
2. OPTIONAL THERMOSTATS ARE PROVIDED WHEN SPECIFIED.
3. ACTUAL NUMBER OF INTERNAL PARALLEL CIRCUITS MAY BE A MULTIPLE OF THOSE SHOWN ABOVE.
4. LEAD COLORS ARE OPTIONAL. LEADS MUST ALWAYS BE NUMBERED AS SHOWN.

CD0180

REV. DESC: ADD CLASS CONN00000007		
REV. LTR: D	VERSION: 01	TDR: 000001099922
FILE: \AAA\00005\148	REVISED: 10: 25: 29 02/19/2019	BY: ENBRIRO
MTL: -	© □	

**BALDOR - RELIANCE®**

3PH, DV, 9 LEADS, DELTA CONNECTION

SH 1 of 1