

BALDOR • RELIANCE

Customer information packet

CEWDM4102T

20HP, 1175RPM, 3PH, 60HZ, 286TC, TEFC, F1

Class - None

Division - Not Applicable

Copyright © All product information within this document is subject to ABB Motors and Mechanical Inc. copyright © protection, unless otherwise noted.

1/23/2025 6:45:11 PM

Specifications

Enclosure	TEFC
Frame	286TC
Frame Material	Iron
Frequency	60.00 Hz
Haz Area Class and Group	None
Haz Area Division	Not Applicable
Motor Letter Type	Three Phase
Output @ Frequency	20.000 HP @ 60 HZ
Phase	3
Synchronous Speed @ Frequency	1200 RPM @ 60 HZ
Voltage @ Frequency	230.0 V @ 60 HZ 460.0 V @ 60 HZ
Agency Approvals	CSA EEV NEMA PREMIUM UR
Ambient Temperature	40 °C
Auxillary Box	No Auxillary Box
Auxillary Box Lead Termination	None
Base Indicator	Rigid
Bearing Grease Type	Polyrex EM (-20F +300F)
Blower	None
Current @ Voltage	52.000 A @ 230.0 V 26.000 A @ 460.0 V
Design Code	B
Drip Cover	No Drip Cover
Duty Rating	CONT
Efficiency @ 100% Load	91.7 %
Electrically Isolated Bearing	Not Electrically Isolated
Enclosure Modification	Severe Duty Features
Feedback Device	NO FEEDBACK
Heater Indicator	No Heater
High Voltage Full Load Amps	26.0 a

Part detail

Revision	H
Type	AC
Mech. spec.	
Base	
Status	PRD/A
Elec. spec.	10WGZ467
Layout	10LYP093
Eff. date	02-21-2024
CD Diagram	CD0180
Poles	06
Leads	9#10
Proprietary	False
Created date	08-19-2019

Insulation Class	F
Inverter Code	Inverter Duty
IP Rating	IP55
KVA Code	G
Lifting Lugs	Standard Lifting Lugs
Locked Bearing Indicator	Locked Bearing
Max Speed	1800 rpm
Motor Lead Termination	Flying Leads
Motor Standards	NEMA
Motor Type	1056M
Mounting Arrangement	F1
Number of Poles	6
Overall Length	27.56 IN
Power Factor	78
Product Family	Washdown Features
Pulley Face Code	C-Face
Rodent Screen	None
Service Factor	1.00
Shaft Diameter	1.875 IN
Shaft Ground Indicator	No Shaft Grounding
Shaft Rotation	Reversible
Speed	1175 rpm
Speed Code	Single Speed
Starting Method	Direct on line
Thermal Device - Bearing	None
Thermal Device - Winding	None
Vibration Sensor Indicator	No Vibration Sensor
Winding Thermal 1	None
Winding Thermal 2	None

Nameplate

NP1669L									
CAT.NO.	CEWDM4102T								
SPEC.	10-0000-1006								
HP	20								
VOLTS	230/460 20:1 CT/VT								
AMP	52/26								
RPM	1175								
FRAME	286TC		HZ	60		PH	3		
SER.F.	1.00	CODE	G	DES	B	CLASS	F		
NEMA-NOM-EFF	91.7	PF	78						
RATING	40C AMB-CONT								
CC	010A								
DE	6311		ODE	6309					
ENCL	TEFC	SN							
BLANK	1.15SF ON SINEWAVE								

AC Induction Motor Performance Data

Record # 59571

Typical performance - not guaranteed values

Winding: 10WGZ467-R003		Type: 1056M		Enclosure: TEFC	
Nameplate Data			460 V, 60 Hz: Single Voltage Motor		
Rated Output (HP)	20	Full Load Torque	89.1 LB-FT		
Volts	230/460	Start Configuration	direct on line		
Full Load Amps	52/26	Breakdown Torque	236 LB-FT		
R.P.M.	1175	Pull-up Torque	95.1 LB-FT		
Hz	60 Phase	3	Locked-rotor Torque	137 LB-FT	
NEMA Design Code	B KVA Code	G	Starting Current	143 A	
Service Factor (S.F.)	1.15	No-load Current	11.6 A		
NEMA Nom. Eff.	91.7	Power Factor	78	Line-line Res. @ 25°C	0.47101 Ω
Rating - Duty	40C AMB-CONT		Temp. Rise @ Rated Load	63°C	
S.F. Amps			Temp. Rise @ S.F. Load	79°C	
			Locked-rotor Power Factor	31.8	

Load Characteristics 460 V, 60 Hz, 20 HP

% of Rated Load	25	50	75	100	125	150	S.F.
Power Factor	41	63	73	78	80	80	79
Efficiency	88.6	92.1	92.5	91.9	90.8	89.2	91.2
Speed	1194.6	1189.1	1183.8	1177.1	1169.8	1160.7	1173
Line amperes	13.1	16.4	20.7	26.1	32	39.1	29.6

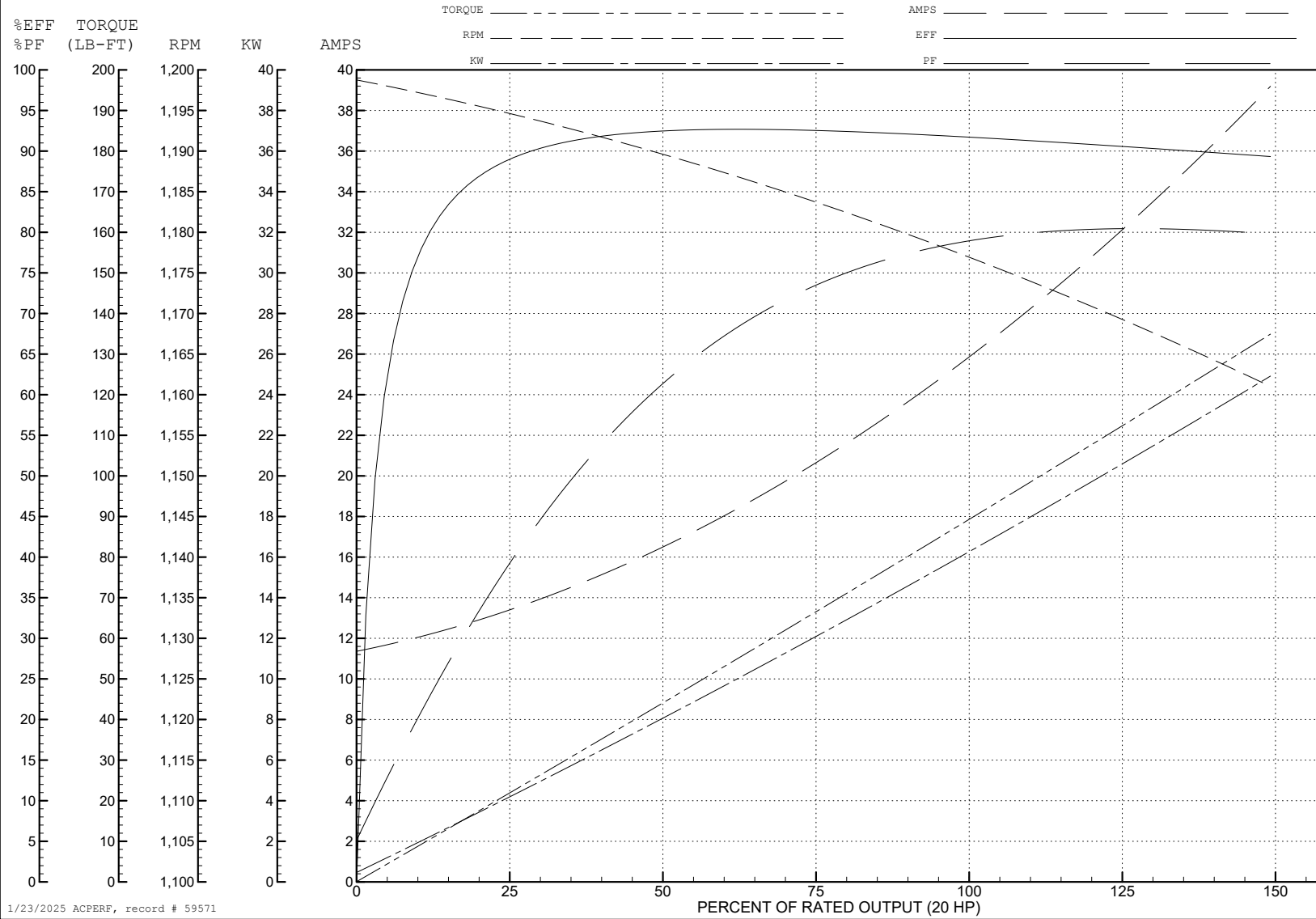
ABB Motors and Mechanical Inc.

WINDING # 10WGZ467

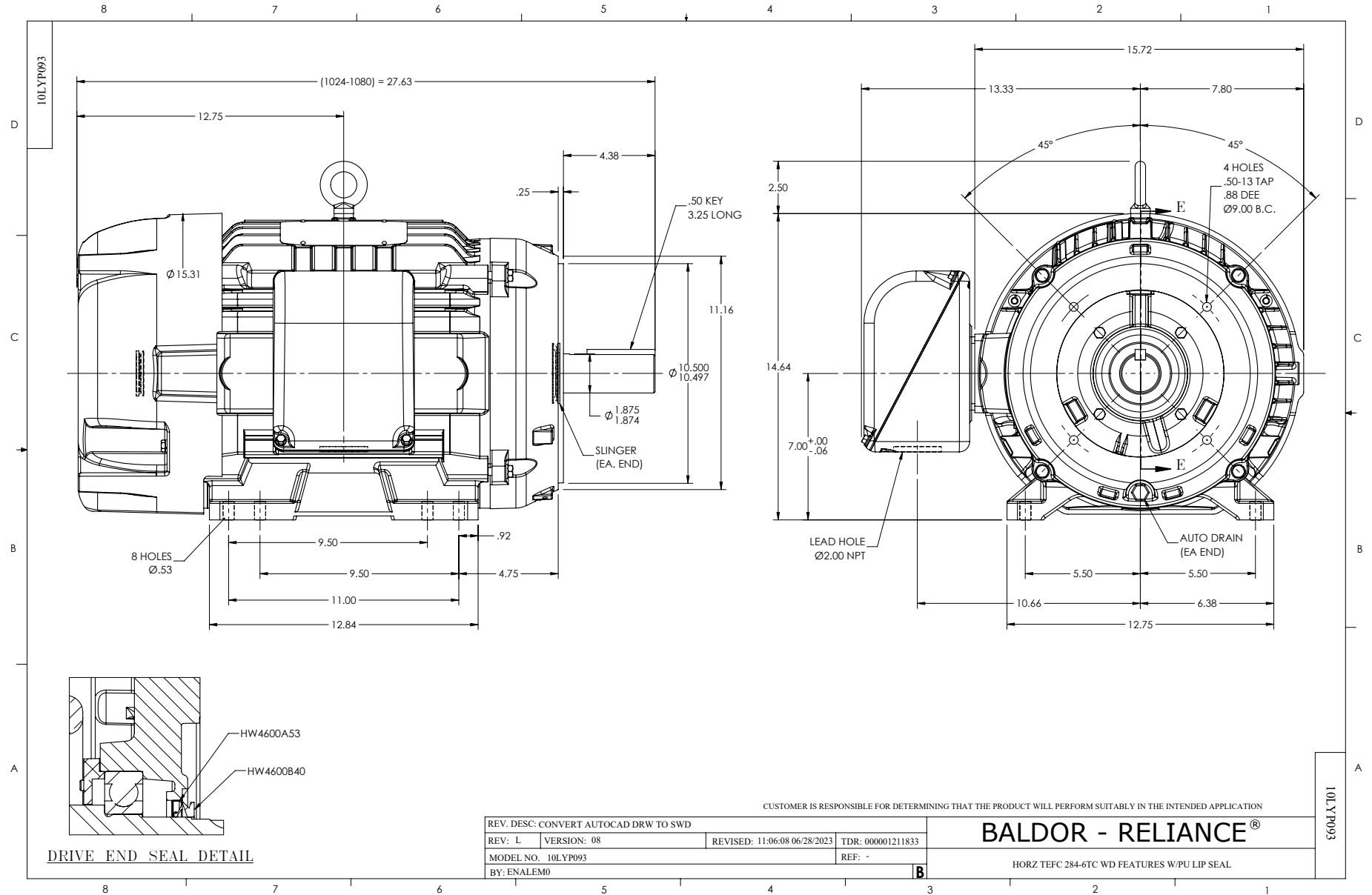
Typical performance - not guaranteed values.

20 HP 3 PH 60 HZ 1175 RPM 460 V 1056M

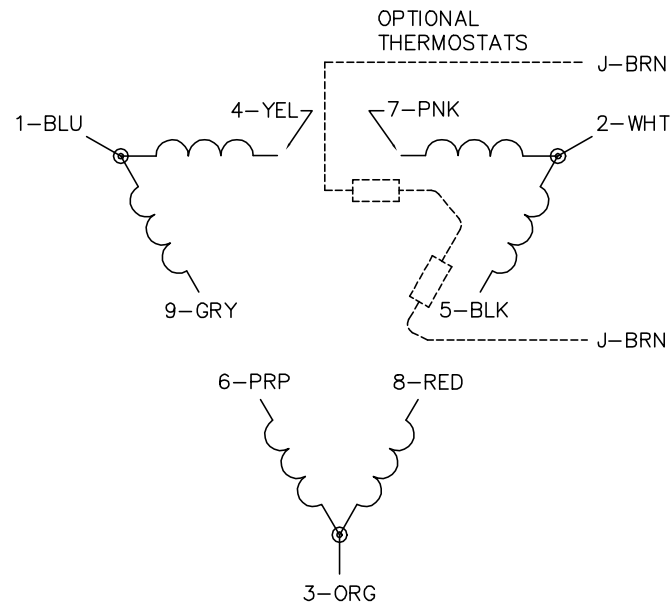
TORQUES (LB-FT): PO=236 PU=95.1 LR=137 LRA=143



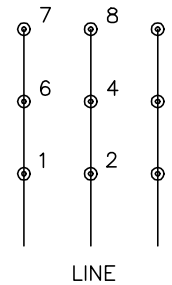
1/23/2025 ACPERF, record # 59571



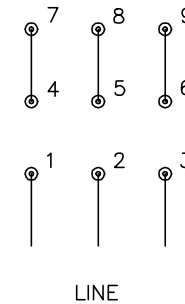
CD0180



LOW VOLTAGE
(2D)



HIGH VOLTAGE
(1D)



NOTES:

1. INTERCHANGE ANY TWO LINE LEADS TO REVERSE ROTATION.
2. OPTIONAL THERMOSTATS ARE PROVIDED WHEN SPECIFIED.
3. ACTUAL NUMBER OF INTERNAL PARALLEL CIRCUITS MAY BE A MULTIPLE OF THOSE SHOWN ABOVE.
4. LEAD COLORS ARE OPTIONAL. LEADS MUST ALWAYS BE NUMBERED AS SHOWN.

CD0180

REV. DESC: ADD CLASS CONN00000007		
REV. LTR: D	VERSION: 01	TDR: 000001099922
FILE: \AAA\00005\148	REVISED: 10: 25: 29 02/19/2019	BY: ENBRIRO
MTL: -	© □	

BALDOR - RELIANCE®

3PH, DV, 9 LEADS, DELTA CONNECTION

SH 1 of 1