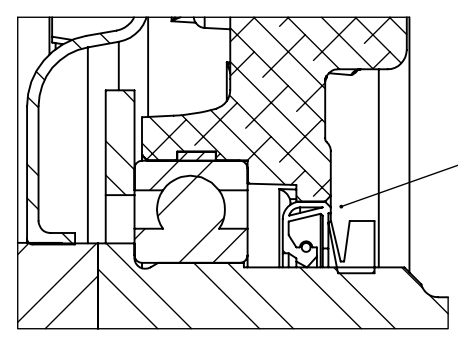
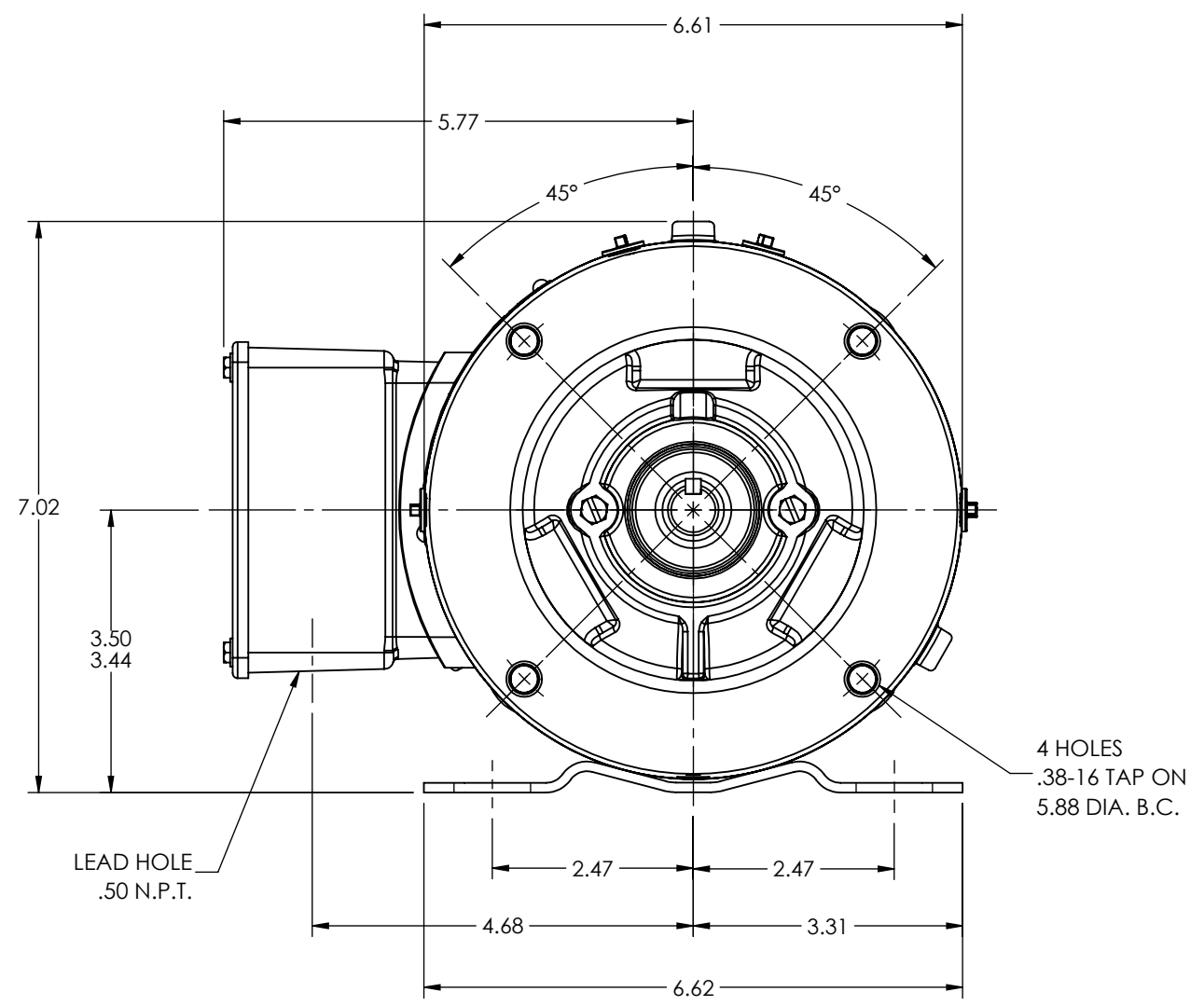
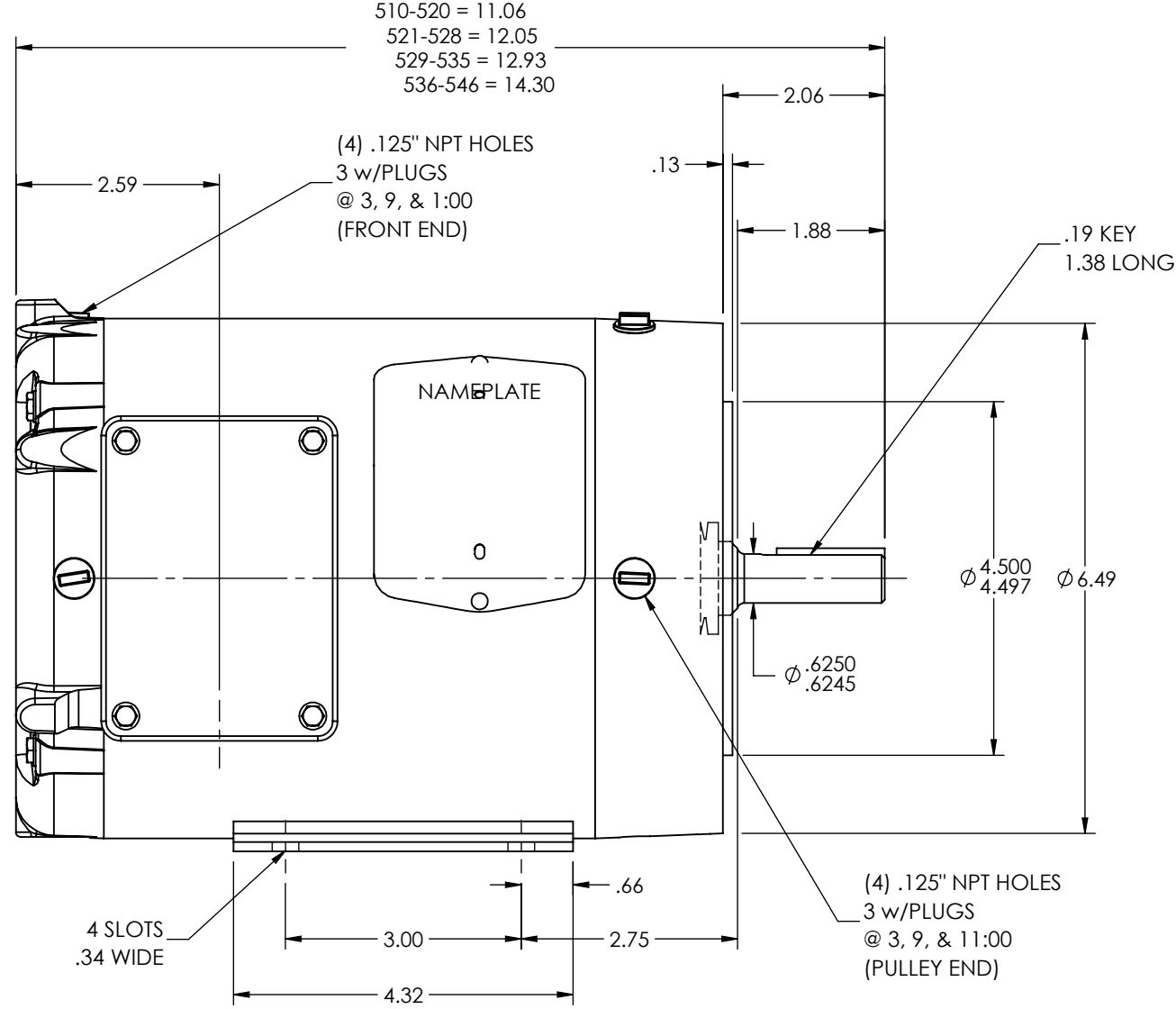


8 7 6 5 4 3 2 1

35LYS588



OMIT LOCK-WASHERS & APPLY
 SEALER UNDER BEARING
 RETAINER SCREW HEADS &
 HOUSING O.D. BEFORE PRESSING
 IN SEAL.

PULLEY END DETAIL

CUSTOMER IS RESPONSIBLE FOR DETERMINING THAT BALDOR'S PRODUCT WILL PERFORM SUITABLY IN THE INTENDED APPLICATION.

REV. DESC: UPDATE 3D MODEL BOM PER REV U, NO CHG TO 2D PRINT			
REV: G	VERSION: 07	REVISED: 03:01:31 03/14/2022	TDR: 000001187335
MODEL NO: 35LYS588		REF: -	
BY: USBUFRA	Material: -	B	

BALDOR - RELIANCE®

STD HORZ 56C TENV 35M WD (S/P #9)
 SH 1 of 1

A

8 7 6 5 4 3 2 1

35LYS588