

# ABB BALDOR RELIANCE III

---

## Customer information packet

### CEWDM3546T

1HP, 1770RPM, 3PH, 60HZ, 143TC, 3522M, TENV, F1

Class - None

Division - Not Applicable

**Specifications**

<b>Enclosure</b>	TENV
<b>Frame</b>	143TC
<b>Frame Material</b>	Steel
<b>Frequency</b>	60.00 Hz
<b>Haz Area Class and Group</b>	None
<b>Haz Area Division</b>	Not Applicable
<b>Motor Letter Type</b>	Three Phase
<b>Output @ Frequency</b>	1.000 HP @ 60 HZ
<b>Phase</b>	3
<b>Synchronous Speed @ Frequency</b>	1800 RPM @ 60 HZ
<b>Voltage @ Frequency</b>	230.0 V @ 60 HZ 460.0 V @ 60 HZ
<b>Agency Approvals</b>	CSA EEV NEMA PREMIUM NEMA_PREMIUM UR
<b>Ambient Temperature</b>	40 °C
<b>Auxiliary Box</b>	NO AUXILLARY BOX
<b>Auxiliary Box Lead Termination</b>	None
<b>Base Indicator</b>	Rigid
<b>Bearing Grease Type</b>	Polyrex EM (-20F +300F)
<b>Blower</b>	None
<b>Current @ Voltage</b>	3.340 A @ 230.0 V 3.300 A @ 208.0 V 1.670 A @ 460.0 V
<b>Design Code</b>	B
<b>Drip Cover</b>	No Drip Cover
<b>Duty Rating</b>	CONT
<b>Efficiency @ 100% Load</b>	85.5 %
<b>Electrically Isolated Bearing</b>	Not Electrically Isolated
<b>Feedback Device</b>	NO FEEDBACK
<b>Front Shaft Indicator</b>	None

**Part Detail**

<b>Revision</b>	C
<b>Type</b>	AC
<b>Mech. spec.</b>	35SS592
<b>Base</b>	
<b>Status</b>	PRD/A
<b>Elec. spec.</b>	35WGZ818
<b>Layout</b>	35LYSS592
<b>Eff. date</b>	02-14-2024
<b>CD Diagram</b>	CD0005
<b>Poles</b>	04
<b>Leads</b>	9#18 Y
<b>Proprietary</b>	False
<b>Created date</b>	10-01-2021

<b>Heater Indicator</b>	No Heater
<b>High Voltage Full Load Amps</b>	1.7 a
<b>Insulation Class</b>	F
<b>Inverter Code</b>	Inverter Ready
<b>KVA Code</b>	M
<b>Lifting Lugs</b>	No Lifting Lugs
<b>Locked Bearing Indicator</b>	Locked Bearing
<b>Motor Lead Quantity/Wire Size</b>	9 @ 18 AWG
<b>Motor Lead Termination</b>	Flying Leads
<b>Motor Standards</b>	NEMA
<b>Motor Type</b>	3522M
<b>Mounting Arrangement</b>	F1
<b>Number of Poles</b>	4
<b>Overall Length</b>	12.13 IN
<b>Power Factor</b>	66
<b>Product Family</b>	Wash Down
<b>Pulley End Bearing Type</b>	Sealed Bearing
<b>Pulley Face Code</b>	C-Face
<b>Pulley Shaft Indicator</b>	Standard
<b>Rodent Screen</b>	None
<b>Service Factor</b>	1.15
<b>Shaft Diameter</b>	0.875 IN
<b>Shaft Ground Indicator</b>	No Shaft Grounding
<b>Shaft Rotation</b>	Reversible
<b>Shaft Slinger Indicator</b>	No Slinger
<b>Speed</b>	1770 rpm
<b>Speed Code</b>	Single Speed
<b>Starting Method</b>	Direct on line
<b>Thermal Device - Bearing</b>	None
<b>Thermal Device - Winding</b>	None
<b>Vibration Sensor Indicator</b>	No Vibration Sensor
<b>Winding Thermal 1</b>	None
<b>Winding Thermal 2</b>	None

**Nameplate**

<b>NP1669L</b>									
<b>CAT.NO.</b>	CEWDM3546T								
<b>SPEC.</b>	35SS592Z818G1								
<b>HP</b>	1								
<b>VOLTS</b>	230/460								
<b>AMP</b>	3.34/1.67								
<b>RPM</b>	1770								
<b>FRAME</b>	143TC		<b>HZ</b>	60			<b>PH</b>	3	
<b>SER.F.</b>	1.15	<b>CODE</b>	M	<b>DES</b>	B	<b>CLASS</b>	F		
<b>NEMA-NOM-EFF</b>	85.5	<b>PF</b>	66						
<b>RATING</b>	40C AMB-CONT								
<b>CC</b>	010A								
<b>DE</b>	6205		<b>ODE</b>	6203					
<b>ENCL</b>	TENV	<b>SN</b>							
<b>BLANK</b>	20:1CT, 20:1VT								

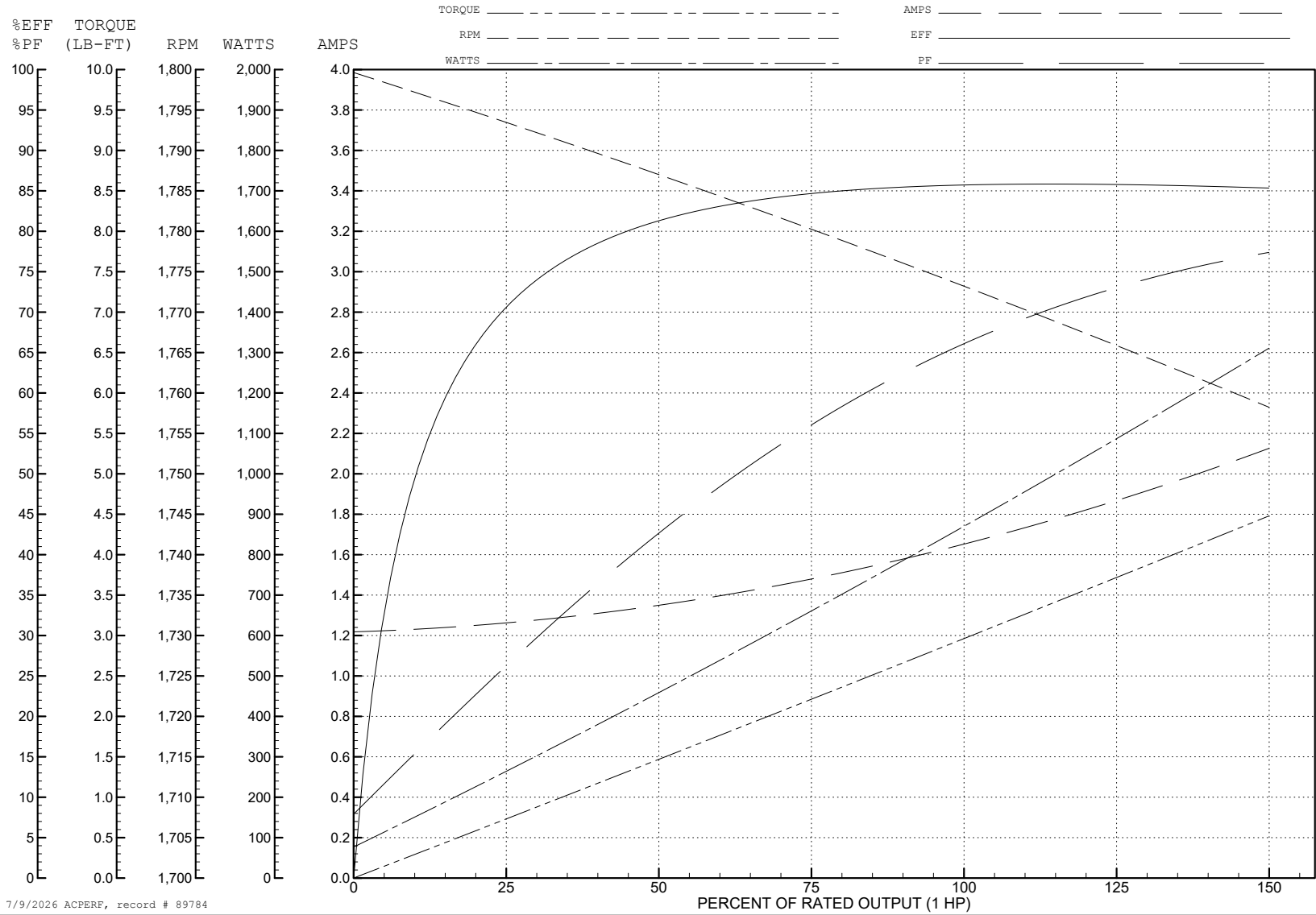
ABB Motors and Mechanical Inc.

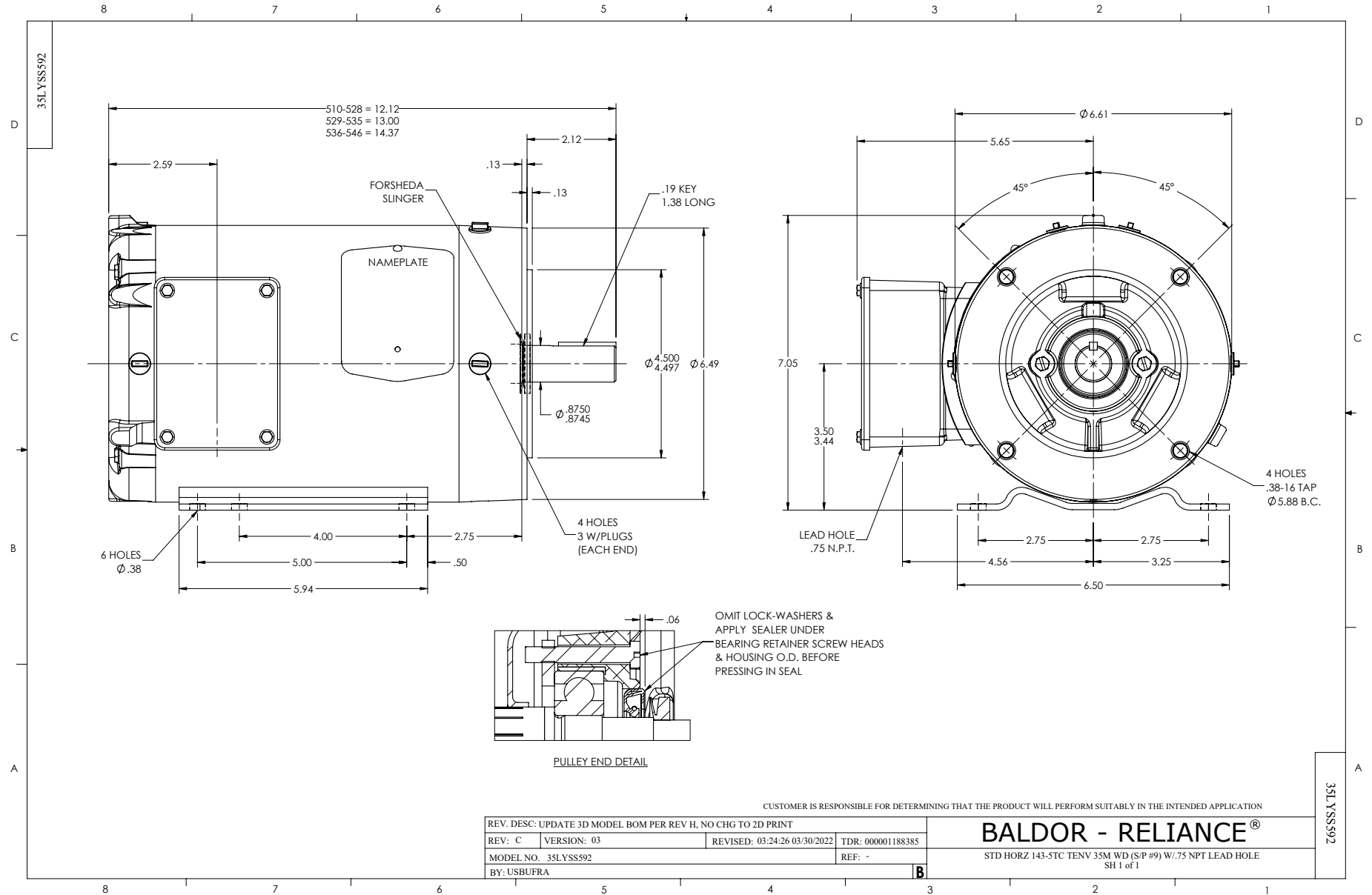
WINDING # 35WGZ818

Typical performance - not guaranteed values.

1 HP 3 PH 60 HZ 1770 RPM 460 V 3522M

TORQUES (LB-FT): PO=16.6 PU=7.42 LR=10.32 LRA=16.1





CD0005



LOW VOLTAGE  
(2Y)



LINE

HIGH VOLTAGE  
(1Y)



LINE

NOTES:

1. INTERCHANGE ANY TWO LINE LEADS TO REVERSE ROTATION.
2. OPTIONAL THERMOSTATS ARE PROVIDED WHEN SPECIFIED.
3. ACTUAL NUMBER OF INTERNAL PARALLEL CIRCUITS MAY BE A MULTIPLE OF THOSE SHOWN ABOVE.
4. LEAD COLORS ARE OPTIONAL. LEADS MUST ALWAYS BE NUMBERED AS SHOWN.

CD0005

REV. DESC: REVISE TO SHOW OPTIONAL COLORS

REV. LTR: E BY: JLP REVISED: 01/19/99 10:15 TDR: 0171435

500000

FILE: AAA00005140

MDL: -

MTL: -

**BALDOR ELECTRIC Co.**

3PH, DV, 9 LEADS