

BALDOR • RELIANCE

Customer information packet

CEWDM3546-H

1HP, 1775RPM, 3PH, 60HZ, 56HC, 3522M, TENV, F1

Class - None

Division - Not Applicable

Specifications

| | |
|--------------------------------|---|
| Enclosure | TENV |
| Frame | 56HC |
| Frame Material | Steel |
| Frequency | 60.00 Hz |
| Haz Area Class and Group | None |
| Haz Area Division | Not Applicable |
| Motor Letter Type | Three Phase |
| Output @ Frequency | 1.000 HP @ 60 HZ |
| Phase | 3 |
| Synchronous Speed @ Frequency | 1800 RPM @ 60 HZ |
| Voltage @ Frequency | 230.0 V @ 60 HZ 460.0 V @ 60 HZ |
| Agency Approvals | CSA EEV UR NEMA_PREMIUM NEMA PREMIUM |
| Ambient Temperature | 40 °C |
| Auxillary Box | No Auxillary Box |
| Auxillary Box Lead Termination | None |
| Base Indicator | Rigid |
| Bearing Grease Type | Polyrex EM (-20F +300F) |
| Blower | None |
| Current @ Voltage | 1.700 A @ 460.0 V 3.300 A @ 208.0 V 3.400 A @ 230.0 V |
| Design Code | B |
| Drip Cover | No Drip Cover |
| Duty Rating | CONT |
| Efficiency @ 100% Load | 85.5 % |
| Electrically Isolated Bearing | Not Electrically Isolated |
| Feedback Device | NO FEEDBACK |
| Heater Indicator | No Heater |

Part detail

| | |
|--------------|--------------|
| Revision | B |
| Type | AC |
| Mech. spec. | |
| Base | |
| Status | PRD/A |
| Elec. spec. | 35WGZ818 |
| Layout | 35LY-000-259 |
| Eff. date | 02-14-2024 |
| CD Diagram | CD0005 |
| Poles | 04 |
| Leads | 9#18 |
| Proprietary | False |
| Created date | 10-28-2021 |

| | |
|-----------------------------|---------------------|
| High Voltage Full Load Amps | 1.7 a |
| Insulation Class | F |
| Inverter Code | Inverter Ready |
| KVA Code | P |
| Lifting Lugs | No Lifting Lugs |
| Locked Bearing Indicator | No Locked Bearing |
| Motor Lead Termination | Flying Leads |
| Motor Standards | NEMA |
| Motor Type | 3522M |
| Mounting Arrangement | F1 |
| Number of Poles | 4 |
| Overall Length | 11.91 IN |
| Power Factor | 66 |
| Product Family | Wash Down |
| Pulley Face Code | C-Face |
| Rodent Screen | None |
| Service Factor | 1.15 |
| Shaft Diameter | 0.625 IN |
| Shaft Ground Indicator | No Shaft Grounding |
| Shaft Rotation | Reversible |
| Speed | 1775 rpm |
| Speed Code | Single Speed |
| Starting Method | Direct on line |
| Thermal Device - Bearing | None |
| Thermal Device - Winding | None |
| Vibration Sensor Indicator | No Vibration Sensor |
| Winding Thermal 1 | None |
| Winding Thermal 2 | None |

Nameplate

| NP1669L | | | | | | | | | |
|---------------------|--------------|-------------|-----------|------------|---|--------------|---|--|--|
| CAT.NO. | CEWDM3546-H | | | | | | | | |
| SPEC. | 35-0000-1386 | | | | | | | | |
| HP | 1 | | | | | | | | |
| VOLTS | 230/460 | | | | | | | | |
| AMP | 3.4/1.7 | | | | | | | | |
| RPM | 1775 | | | | | | | | |
| FRAME | 56HC | | HZ | 60 | | PH | 3 | | |
| SER.F. | 1.15 | CODE | P | DES | B | CLASS | F | | |
| NEMA-NOM-EFF | 85.5 | PF | 66 | | | | | | |
| RATING | 40C AMB-CONT | | | | | | | | |
| CC | 010A | | | | | | | | |
| DE | 6205 | ODE | 6203 | | | | | | |
| ENCL | TENV | SN | | | | | | | |
| BLANK | SFA 3.6/1.8 | | | | | | | | |

AC Induction Motor Performance Data

Record # 89784

Typical performance - not guaranteed values

| Winding: 35WGZ818-R002 | | Type: 3522M | | Enclosure: TENV | |
|-------------------------------|--------------------------|----------------------------|--|--------------------------|--|
| Nameplate Data | | | 460 V, 60 Hz: High Voltage Connection | | |
| Rated Output (HP) | 1 | Full Load Torque | 2.99 LB-FT | | |
| Volts | 230/460 | Start Configuration | direct on line | | |
| Full Load Amps | 3.34/1.67 | Breakdown Torque | 16.6 LB-FT | | |
| R.P.M. | 1770 | Pull-up Torque | 7.42 LB-FT | | |
| Hz | 60 Phase | 3 | Locked-rotor Torque | 10.32 LB-FT | |
| NEMA Design Code | B KVA Code | M | Starting Current | 16.1 A | |
| Service Factor (S.F.) | | 1.15 | No-load Current | 1.23 A | |
| NEMA Nom. Eff. | 85.5 Power Factor | 66 | Line-line Res. @ 25°C | 14.4 Ω | |
| Rating - Duty | | 40C AMB-CONT | Temp. Rise @ Rated Load | 63°C | |
| S.F. Amps | | 3.5/1.75 | Temp. Rise @ S.F. Load | 71°C | |
| | | | Locked-rotor Power Factor | 60.4724 | |
| | | | Rotor inertia | 0.159 lb-ft ² | |

Load Characteristics 460 V, 60 Hz, 1 HP

| % of Rated Load | 25 | 50 | 75 | 100 | 125 | 150 | S.F. |
|------------------------|-----------|-----------|-----------|------------|------------|------------|-------------|
| Power Factor | 27 | 43 | 56 | 66 | 73 | 78 | 72 |
| Efficiency | 70.8 | 81.2 | 84.5 | 85.9 | 85.8 | 85.2 | 85.5 |
| Speed | 1793 | 1786 | 1781 | 1773 | 1766 | 1758 | 1768 |
| Line amperes | 1.25 | 1.34 | 1.49 | 1.67 | 1.87 | 2.12 | 1.75 |

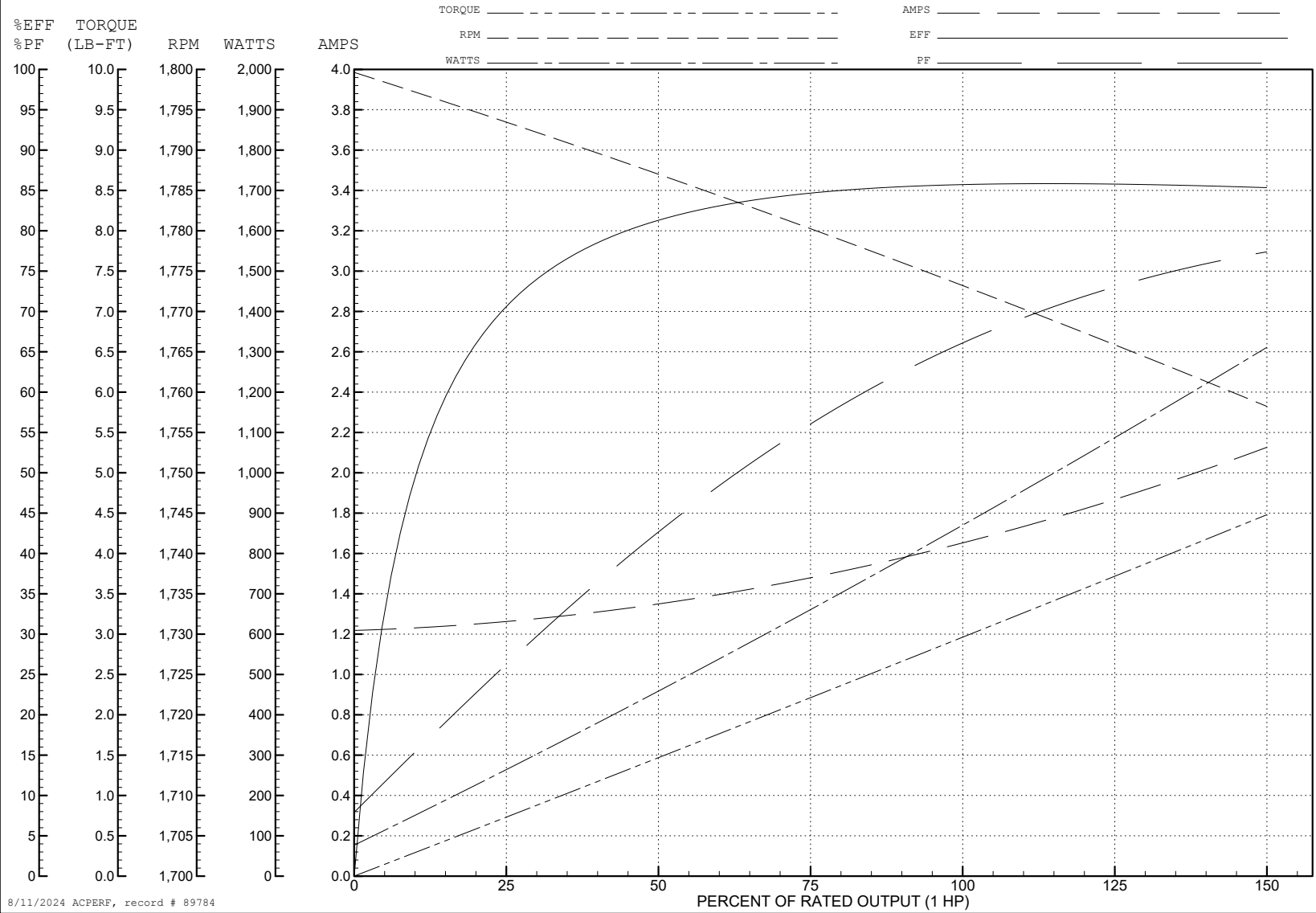
ABB Motors and Mechanical Inc.

WINDING # 35WGZ818

Typical performance - not guaranteed values.

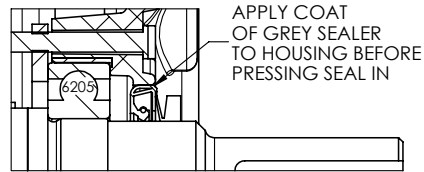
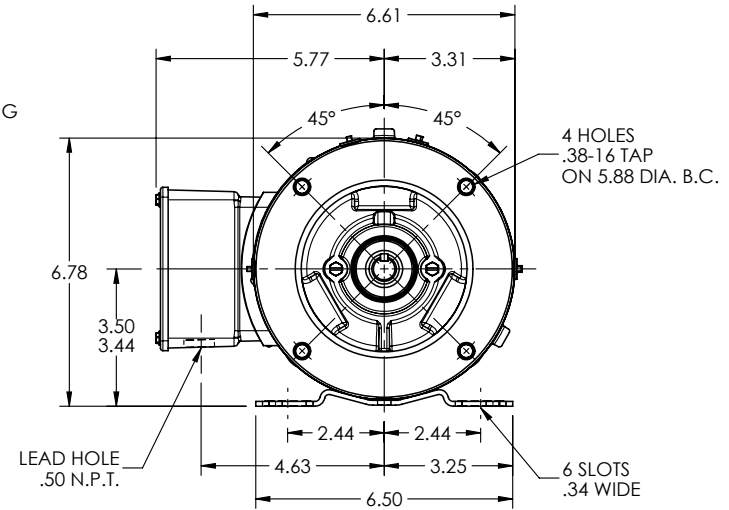
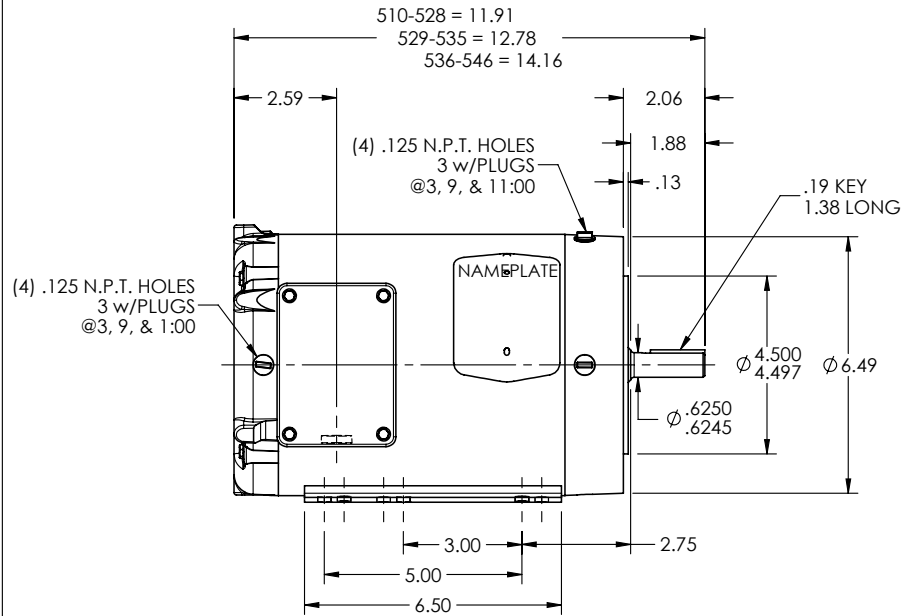
1 HP 3 PH 60 HZ 1770 RPM 460 V 3522M

TORQUES (LB-FT): PO=16.6 PU=7.42 LR=10.32 LRA=16.1



8/11/2024 ACPERF, record # 89784

35LY-000-259



PULLEY END DETAIL

CUSTOMER IS RESPONSIBLE FOR DETERMINING THAT THE PRODUCT WILL PERFORM SUITABLY IN THE INTENDED APPLICATION

| | | | |
|---|-------------|------------------------------|-------------------|
| REV. DESC: UPDATE MATE ERRORS IN 3D MODEL | | | |
| REV: A | VERSION: 01 | REVISED: 08:47:50 04/21/2022 | TDR: 000001188385 |
| 657-000-ATCE | | MODEL NO. 35LY-000-259 | REF: - |
| | | BY: USBUFRA | |

BALDOR - RELIANCE®

STD HORZ 56HC TENV 35M WD

35LY-000-259

CD0005



LOW VOLTAGE
(2Y)



LINE

HIGH VOLTAGE
(1Y)



LINE

NOTES:

1. INTERCHANGE ANY TWO LINE LEADS TO REVERSE ROTATION.
2. OPTIONAL THERMOSTATS ARE PROVIDED WHEN SPECIFIED.
3. ACTUAL NUMBER OF INTERNAL PARALLEL CIRCUITS MAY BE A MULTIPLE OF THOSE SHOWN ABOVE.
4. LEAD COLORS ARE OPTIONAL. LEADS MUST ALWAYS BE NUMBERED AS SHOWN.

CD0005

| | | | |
|---|---------|-------------------------|--------------|
| REV. DESC: REVISE TO SHOW OPTIONAL COLORS | | | |
| REV. LTR: E | BY: JLP | REVISED: 01/19/99 10:15 | TDR: 0171435 |
| S00000 | | FILE: AAA00005140 | MDL: - |
| | | MTL: - | |

BALDOR ELECTRIC Co.

3PH, DV, 9 LEADS