

BALDOR • RELIANCE

Customer information packet

CEWDM2402T

10HP, 880RPM, 3PH, 60HZ, 284TC, TEFC, F1

Class - None

Division - Not Applicable

Specifications

Enclosure	TEFC
Frame	284TC
Frame Material	Iron
Frequency	60.00 Hz
Haz Area Class and Group	None
Haz Area Division	Not Applicable
Motor Letter Type	Three Phase
Output @ Frequency	10.000 HP @ 60 HZ
Phase	3
Synchronous Speed @ Frequency	900 RPM @ 60 HZ
Voltage @ Frequency	460.0 V @ 60 HZ 230.0 V @ 60 HZ
Agency Approvals	CSA CSA EEV NEMA PREMIUM UR
Ambient Temperature	40 °C
Auxillary Box	No Auxillary Box
Auxillary Box Lead Termination	None
Base Indicator	Rigid
Bearing Grease Type	Polyrex EM (-20F +300F)
Blower	None
Current @ Voltage	30.000 A @ 208.0 V 29.200 A @ 230.0 V 14.600 A @ 460.0 V
Design Code	B
Drip Cover	No Drip Cover
Duty Rating	CONT
Efficiency @ 100% Load	89.5 %
Electrically Isolated Bearing	Not Electrically Isolated
Enclosure Modification	Severe Duty Features
Feedback Device	NO FEEDBACK

Part detail

Revision	G
Type	AC
Mech. spec.	
Base	
Status	PRD/A
Elec. spec.	10WGZ392
Layout	10LYP093
Eff. date	02-21-2024
CD Diagram	CD0180
Poles	08
Leads	9#10
Proprietary	False
Created date	08-16-2019

Heater Indicator	No Heater
High Voltage Full Load Amps	14.6 a
Insulation Class	F
Inverter Code	Inverter Duty
IP Rating	IP55
KVA Code	H
Lifting Lugs	Standard Lifting Lugs
Locked Bearing Indicator	Locked Bearing
Max Speed	1350 rpm
Motor Lead Termination	Flying Leads
Motor Standards	NEMA
Motor Type	1046M
Mounting Arrangement	F1
Number of Poles	8
Overall Length	27.56 IN
Power Factor	71
Product Family	Washdown Features
Pulley Face Code	C-Face
Rodent Screen	None
Service Factor	1.00
Shaft Diameter	1.875 IN
Shaft Ground Indicator	No Shaft Grounding
Shaft Rotation	Reversible
Speed	880 rpm
Speed Code	Single Speed
Starting Method	Direct on line
Thermal Device - Bearing	None
Thermal Device - Winding	None
Vibration Sensor Indicator	No Vibration Sensor
Winding Thermal 1	None
Winding Thermal 2	None

Nameplate

NP1669L									
CAT.NO.	CEWDM2402T								
SPEC.	10-0000-1014								
HP	10								
VOLTS	230/460 10:1 CT/VT								
AMP	29.2/14.6								
RPM	880								
FRAME	284TC		HZ	60		PH	3		
SER.F.	1.00	CODE	H	DES	B	CLASS	F		
NEMA-NOM-EFF	89.5	PF	71						
RATING	40C AMB-CONT								
CC	010A								
DE	6311		ODE	6309					
ENCL	TEFC	SN							
BLANK	1.15SF ON SINEWAVE								

AC Induction Motor Performance Data

Record # 65626

Typical performance - not guaranteed values

Winding: 10WGZ392-R011		Type: 1046M		Enclosure: TEFC	
Nameplate Data			460 V, 60 Hz: High Voltage Connection		
Rated Output (HP)	10	Full Load Torque	59.3 LB-FT		
Volts	230/460	Start Configuration	direct on line		
Full Load Amps	29.2/14.6	Breakdown Torque	169 LB-FT		
R.P.M.	880	Pull-up Torque	76.4 LB-FT		
Hz	60 Phase	3	Locked-rotor Torque	137 LB-FT	
NEMA Design Code	B KVA Code	H	Starting Current	80 A	
Service Factor (S.F.)		1	No-load Current	8.76 A	
NEMA Nom. Eff.	89.5 Power Factor	71	Line-line Res. @ 25°C	0.956 Ω	
Rating - Duty	40C AMB-CONT		Temp. Rise @ Rated Load	65°C	
			Locked-rotor Power Factor	30.5	
			Rotor inertia	5.67 LB-FT ²	

Load Characteristics 460 V, 60 Hz, 10 HP

% of Rated Load	25	50	75	100	125	150
Power Factor	32	51	64	71	75	77
Efficiency	81	87.8	89.5	89.8	89.6	88.7
Speed	896	893	890	886	881	876
Line amperes	9.23	10.6	12.3	14.6	17.4	20.4

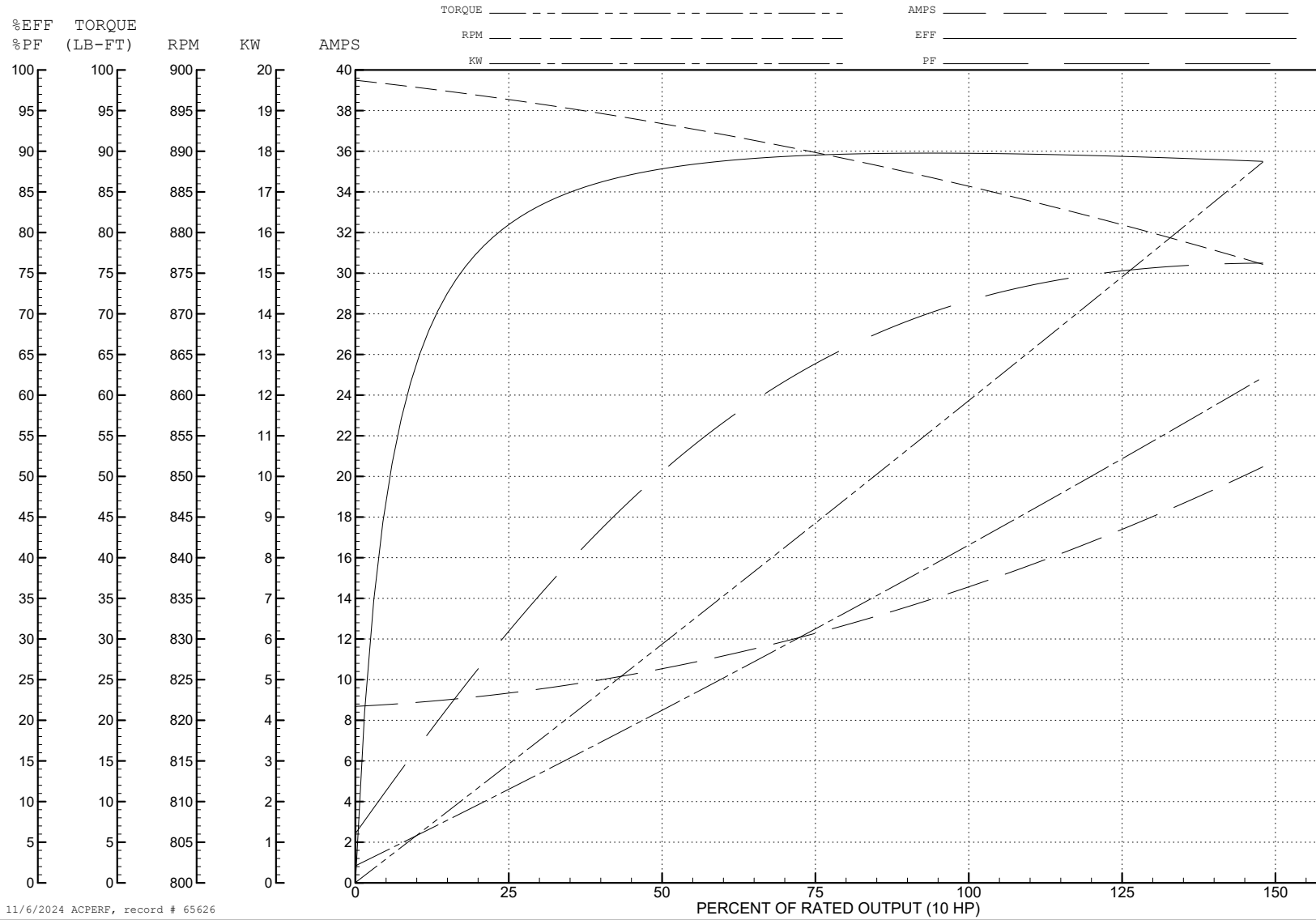
ABB Motors and Mechanical Inc.

WINDING # 10WGZ392

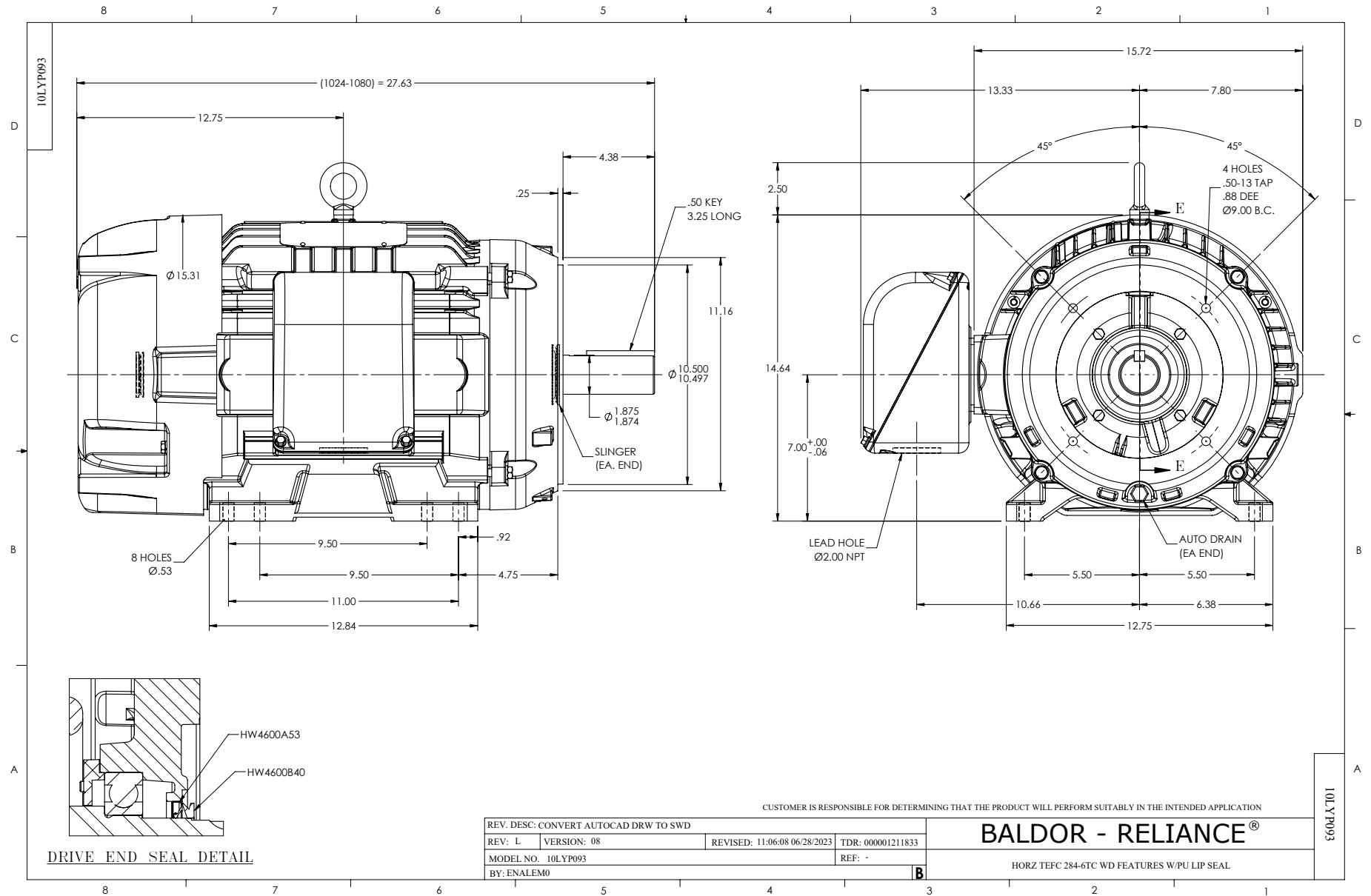
10 HP 3 PH 60 HZ 880 RPM 460 V 1046M

Typical performance - not guaranteed values.

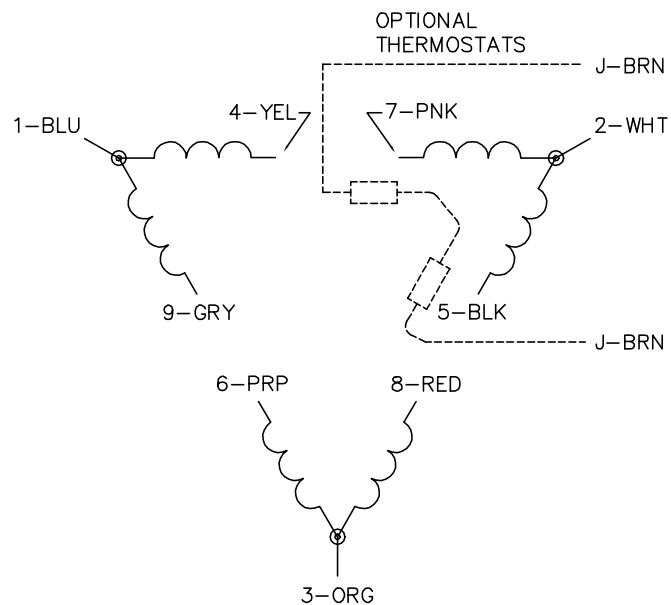
TORQUES (LB-FT): PO=169 PU=76.4 LR=137 LRA=80



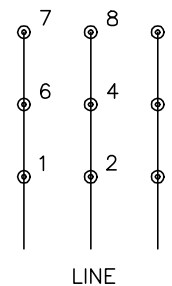
11/6/2024 ACPERF, record # 65626



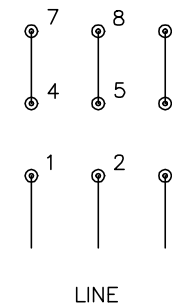
CD0180



LOW VOLTAGE
(2D)



HIGH VOLTAGE
(1D)



NOTES:

1. INTERCHANGE ANY TWO LINE LEADS TO REVERSE ROTATION.
2. OPTIONAL THERMOSTATS ARE PROVIDED WHEN SPECIFIED.
3. ACTUAL NUMBER OF INTERNAL PARALLEL CIRCUITS MAY BE A MULTIPLE OF THOSE SHOWN ABOVE.
4. LEAD COLORS ARE OPTIONAL. LEADS MUST ALWAYS BE NUMBERED AS SHOWN.

CD0180

REV. DESC: ADD CLASS CONN00000007		
REV. LTR: D	VERSION: 01	TDR: 000001099922
FILE: \AAA\00005\148	REVISED: 10: 25: 29 02/19/2019	BY: ENBRIRO
MTL: -	© □	

BALDOR - RELIANCE®

3PH, DV, 9 LEADS, DELTA CONNECTION

SH 1 of 1