



Customer information packet

CEWDM23933T-5

15HP, 1765RPM, 3PH, 60HZ, 254TC, 3942M, TEFC, F

Class -

Division - Not Applicable

Specifications

Enclosure	TEFC
Frame	254TC
Frame Material	Steel
Frequency	60.00 Hz
Motor Letter Type	Three Phase
Output @ Frequency	15.000 HP @ 60 HZ
Phase	3
Synchronous Speed @ Frequency	1800 RPM @ 60 HZ
Voltage @ Frequency	575.0 V @ 60 HZ
XP Division	Not Applicable
Agency Approvals	CSA CSA EEV UR
Ambient Temperature	40 °C
Auxillary Box	No Auxillary Box
Auxillary Box Lead Termination	None
Base Indicator	Rigid
Bearing Grease Type	Polyrex EM (-20F +300F)
Current @ Voltage	14.500 A @ 575.0 V
Design Code	A
Drip Cover	No Drip Cover
Duty Rating	CONT
Efficiency @ 100% Load	92.4 %
Electrically Isolated Bearing	Not Electrically Isolated
Feedback Device	NO FEEDBACK
Front Face Code	Standard
Front Shaft Indicator	None
Heater Indicator	No Heater
High Voltage Full Load Amps	14.5 a
Insulation Class	F
Inverter Code	Inverter Ready
KVA Code	H

Part detail

Revision	AX
Type	AC
Mech. spec.	39R098
Base	
Status	PRD/A
Elec. spec.	39WGX419
Layout	39LYR098
Eff. date	02-21-2023
CD Diagram	CD0006
Poles	04
Leads	3#12
Proprietary	False
Created date	01-01-0001

Lifting Lugs	Standard Lifting Lugs
Locked Bearing Indicator	Locked Bearing
Motor Lead Exit	Ko Box
Motor Lead Quantity/Wire Size	3 @ 12 AWG
Motor Lead Termination	Flying Leads
Motor Standards	NEMA
Motor Type	3942M
Mounting Arrangement	F1
Number of Poles	4
Overall Length	23.57 IN
Power Factor	84
Product Family	Wash Down
Pulley End Bearing Type	Sealed Bearing
Pulley Face Code	C-Face
Pulley Shaft Indicator	Standard
Rodent Screen	None
Service Factor	1.15
Shaft Diameter	1.625 IN
Shaft Extension Location	Pulley End
Shaft Ground Indicator	No Shaft Grounding
Shaft Rotation	Reversible
Shaft Slinger Indicator	No Slinger
Speed	1765 rpm
Speed Code	Single Speed
Starting Method	Direct on line
Thermal Device - Bearing	None
Thermal Device - Winding	None
Vibration Sensor Indicator	No Vibration Sensor

Nameplate

NP1669									
CAT.NO.	CEWDM23933T-5								
SPEC.	39R098X419G1								
HP	15								
VOLTS	575								
AMP	14.5								
RPM	1765								
FRAME	254TC	HZ	60	PH	3				
SER.F.	1.15	CODE	H	DES	A	CLASS	F		
NEMA-NOM-EFF	92.4	PF	84						
RATING	40C AMB-CONT								
CC	010A	USABLE AT 208V							
DE	6309	ODE	6208						
ENCL	TEFC	SN							
BLANK									

AC Induction Motor Performance Data

Record # 25747

Typical performance - not guaranteed values

Winding: 39WGX419-R001		Type: 3942M		Enclosure: TEFC	
Nameplate Data			575 V, 60 Hz: Single Voltage Motor		
Rated Output (HP)	15	Full Load Torque	45 LB-FT		
Volts	575	Start Configuration	direct on line		
Full Load Amps	14.5	Breakdown Torque	145 LB-FT		
R.P.M.	1765	Pull-up Torque	76 LB-FT		
Hz	60	Locked-rotor Torque	89.1 LB-FT		
NEMA Design Code	A	Starting Current	101 A		
Service Factor (S.F.)	1.15	No-load Current	5.68 A		
NEMA Nom. Eff.	92.4	Line-line Res. @ 25°C	0.895 Ω		
Rating - Duty	40C	Temp. Rise @ Rated Load	60°C		
S.F. Amps	AMB-CONT	Temp. Rise @ S.F. Load	73°C		
		Locked-rotor Power Factor	33.3		
		Rotor inertia	1.84 lb-ft ²		

Load Characteristics 575 V, 60 Hz, 15 HP

% of Rated Load	25	50	75	100	125	150	S.F.
Power Factor	51	73	84	89	91	92	90
Efficiency	87.4	92	92.9	92.8	92.2	91.6	92.4
Speed	1792	1784	1776	1766	1759	1751	1762
Line amperes	6.42	8.48	11	13.8	16.8	20	15.6

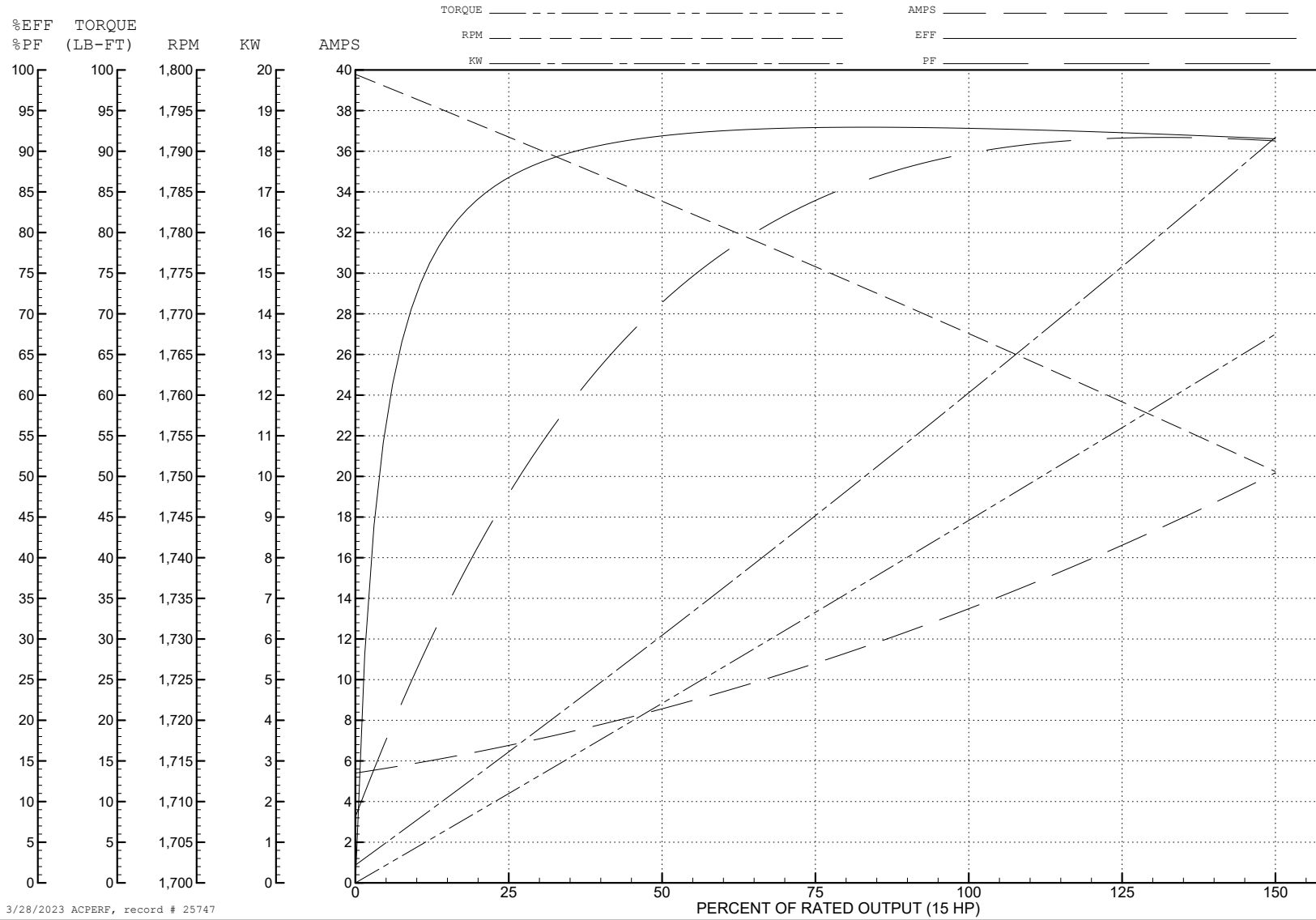
ABB Motors and Mechanical Inc.

WINDING # 39WGx419

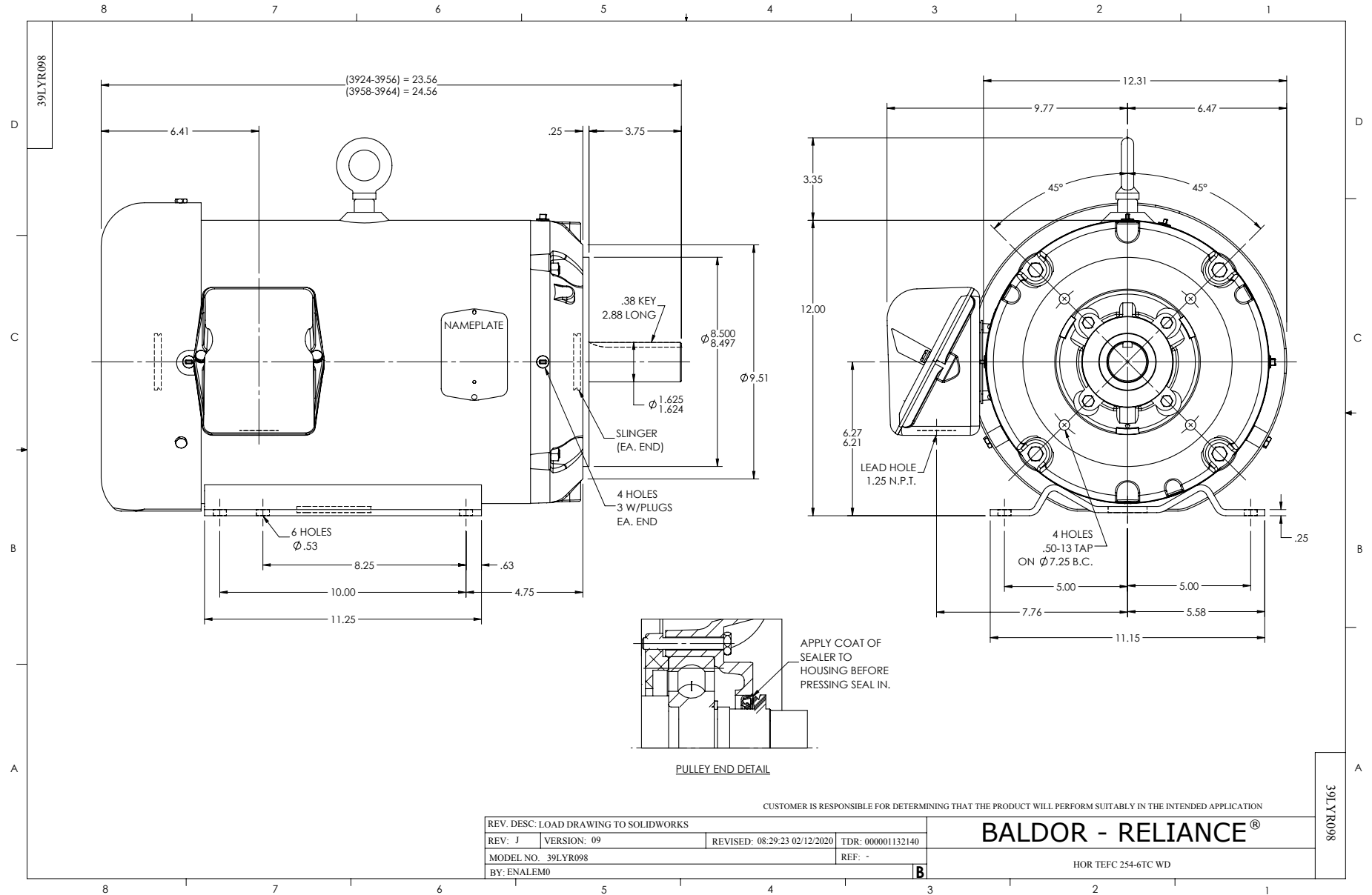
Typical performance - not guaranteed values.

15 HP 3 PH 60 HZ 1765 RPM 575 V 3942M

TORQUES (LB-FT): PO=145 PU=76 LR=89.1 LRA=101



3/28/2023 ACPERF, record # 25747



CD0006



NOTES:

1. THREE LEAD MOTOR MAY BE EITHER WYE CONNECTED OR DELTA CONNECTED.
2. INTERCHANGE ANY TWO LINE LEADS TO REVERSE ROTATION.
3. OPTIONAL THERMOSTATS ARE PROVIDED WHEN SPECIFIED.
4. ACTUAL NUMBER OF INTERNAL PARALLEL CIRCUITS MAY VARY.
5. LEAD COLORS ARE OPTIONAL. LEADS MUST BE NUMBERED AS SHOWN.

CD0006

REV. DESC: ADD CLASS CONN00000007		
REV. LTR: E	VERSION: 01	TDR: 000001099922
FILE: \AAA\00005\141	REVISED: 10:24:49 02/19/2019	BY: ENBRIRO
MTL: -	© □	

BALDOR - RELIANCE®

3PH, SV, 3 LEADS, WYE OR DELTA CONNECTED

SH 1 of 1