



---

# Customer information packet

## CESSWDM3711T-5

OHP, 3500RPM, 3PH, 60HZ, 215TC, 3744M, TEFC, F

Class - None

Division - Not Applicable

## Specifications

Enclosure	TEFC
Frame	215TC
Frame Material	Stainless Steel
Frequency	60.00 Hz
Haz Area Class and Group	None
Haz Area Division	Not Applicable
Motor Letter Type	Three Phase
Output @ Frequency	10.000 HP @ 60 HZ
Phase	3
Synchronous Speed @ Frequency	3600 RPM @ 60 HZ
Voltage @ Frequency	575.0 V @ 60 HZ
Ambient Temperature	40 °C
Auxillary Box	No Auxillary Box
Auxillary Box Lead Termination	None
Base Indicator	Rigid
Bearing Grease Type	Polyrex EM (-20F +300F)
Blower	None
Current @ Voltage	8.500 A @ 575.0 V
Design Code	A
Drip Cover	No Drip Cover
Duty Rating	CONT
Efficiency @ 100% Load	91.7 %
Electrically Isolated Bearing	Not Electrically Isolated
Feedback Device	NO FEEDBACK
Front Face Code	Standard
Front Shaft Indicator	None
Heater Indicator	No Heater
High Voltage Full Load Amps	8.5 a
Insulation Class	F
Inverter Code	Inverter Ready
KVA Code	K
Lifting Lugs	Standard Lifting Lugs

## Part detail

Revision	N
Type	AC
Mech. spec.	37J639
Base	
Status	PRD/A
Elec. spec.	37WGR305
Layout	37LYJ639
Eff. date	12-18-2024
CD Diagram	CD0006
Poles	02
Leads	3#14
Proprietary	False
Created date	06-08-2012

<b>Locked Bearing Indicator</b>	Locked Bearing
<b>Motor Lead Exit</b>	Ko Box
<b>Motor Lead Quantity/Wire Size</b>	3 @ 14 AWG
<b>Motor Lead Termination</b>	Flying Leads
<b>Motor Standards</b>	NEMA
<b>Motor Type</b>	3744M
<b>Mounting Arrangement</b>	F1
<b>Number of Poles</b>	2
<b>Overall Length</b>	20.16 IN
<b>Power Factor</b>	94
<b>Product Family</b>	Wash Down All Stainless Steel
<b>Pulley End Bearing Type</b>	Sealed Bearing
<b>Pulley Face Code</b>	C-Face
<b>Pulley Shaft Indicator</b>	Standard
<b>Rodent Screen</b>	None
<b>Service Factor</b>	1.15
<b>Shaft Diameter</b>	1.375 IN
<b>Shaft Extension Location</b>	Pulley End
<b>Shaft Ground Indicator</b>	No Shaft Grounding
<b>Shaft Rotation</b>	Reversible
<b>Shaft Slinger Indicator</b>	No Slinger
<b>Speed</b>	3500 rpm
<b>Speed Code</b>	Single Speed
<b>Starting Method</b>	Direct on line
<b>Thermal Device - Bearing</b>	None
<b>Thermal Device - Winding</b>	None
<b>Vibration Sensor Indicator</b>	No Vibration Sensor
<b>Winding Thermal 1</b>	None
<b>Winding Thermal 2</b>	None

**Nameplate**

<b>NP1953C05</b>									
<b>CAT.NO.</b>	CESSWDM3711T-5								
<b>SPEC.</b>	37J639R305G1								
<b>HP</b>	10								
<b>VOLTS</b>	575								
<b>AMP</b>	8.5								
<b>RPM</b>	3500								
<b>FRAME</b>	215TC		<b>HZ</b>	60		<b>PH</b>	3		
<b>SER.F.</b>	1.15	<b>CODE</b>	K	<b>DES</b>	A	<b>CLASS</b>	F		
<b>NEMA-NOM-EFF</b>	91.7	<b>PF</b>	94						
<b>RATING</b>	40C AMB-CONT								
<b>CC</b>	010A	<b>USABLE AT 208V</b>	N/A						
<b>DE</b>	6307	<b>ODE</b>	6206						
<b>ENCL</b>	TEFC	<b>SN</b>							
	4:1CT 20:1VT								

**AC Induction Motor Performance Data**

Record # 38762

Typical performance - not guaranteed values

<b>Winding:</b> 37WGR305-R001		<b>Type:</b> 3744M		<b>Enclosure:</b> TEFC	
<b>Nameplate Data</b>			<b>575 V, 60 Hz: Single Voltage Motor</b>		
<b>Rated Output (HP)</b>	10	<b>Full Load Torque</b>	14.6 LB-FT		
<b>Volts</b>	575	<b>Start Configuration</b>	direct on line		
<b>Full Load Amps</b>	8.5	<b>Breakdown Torque</b>	78.1 LB-FT		
<b>R.P.M.</b>	3500	<b>Pull-up Torque</b>	37.3 LB-FT		
<b>Hz</b>	60	<b>Locked-rotor Torque</b>	47.1 LB-FT		
<b>NEMA Design Code</b>	A	<b>Starting Current</b>	88.4 A		
<b>Service Factor (S.F.)</b>	1.15	<b>No-load Current</b>	2.56 A		
<b>NEMA Nom. Eff.</b>	91.7	<b>Line-line Res. @ 25°C</b>	1.1 Ω		
<b>Rating - Duty</b>	40C AMB-CONT	<b>Temp. Rise @ Rated Load</b>	56°C		
<b>S.F. Amps</b>		<b>Temp. Rise @ S.F. Load</b>	69°C		

**Load Characteristics 575 V, 60 Hz, 10 HP**

<b>% of Rated Load</b>	<b>25</b>	<b>50</b>	<b>75</b>	<b>100</b>	<b>125</b>	<b>150</b>	<b>S.F.</b>
<b>Power Factor</b>	63	84	92	94	95	96	95
<b>Efficiency</b>	88.3	92	92.8	91.8	90.5	89.5	91
<b>Speed</b>	3577	3554	3530	3504	3475	3443	3487
<b>Line amperes</b>	3.19	4.69	6.41	8.44	10.8	13.1	9.86

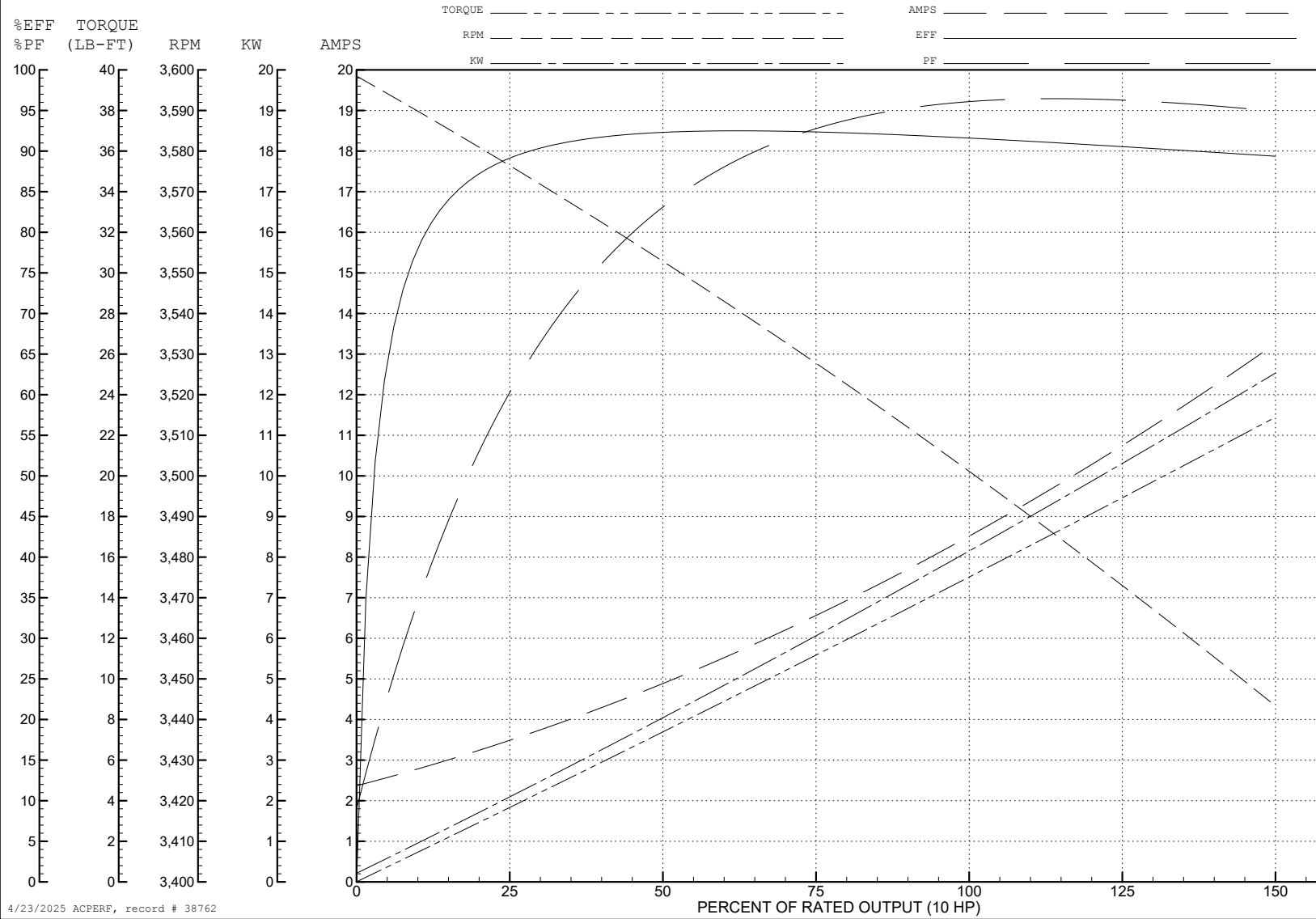
ABB Motors and Mechanical Inc.

WINDING # 37WGR305

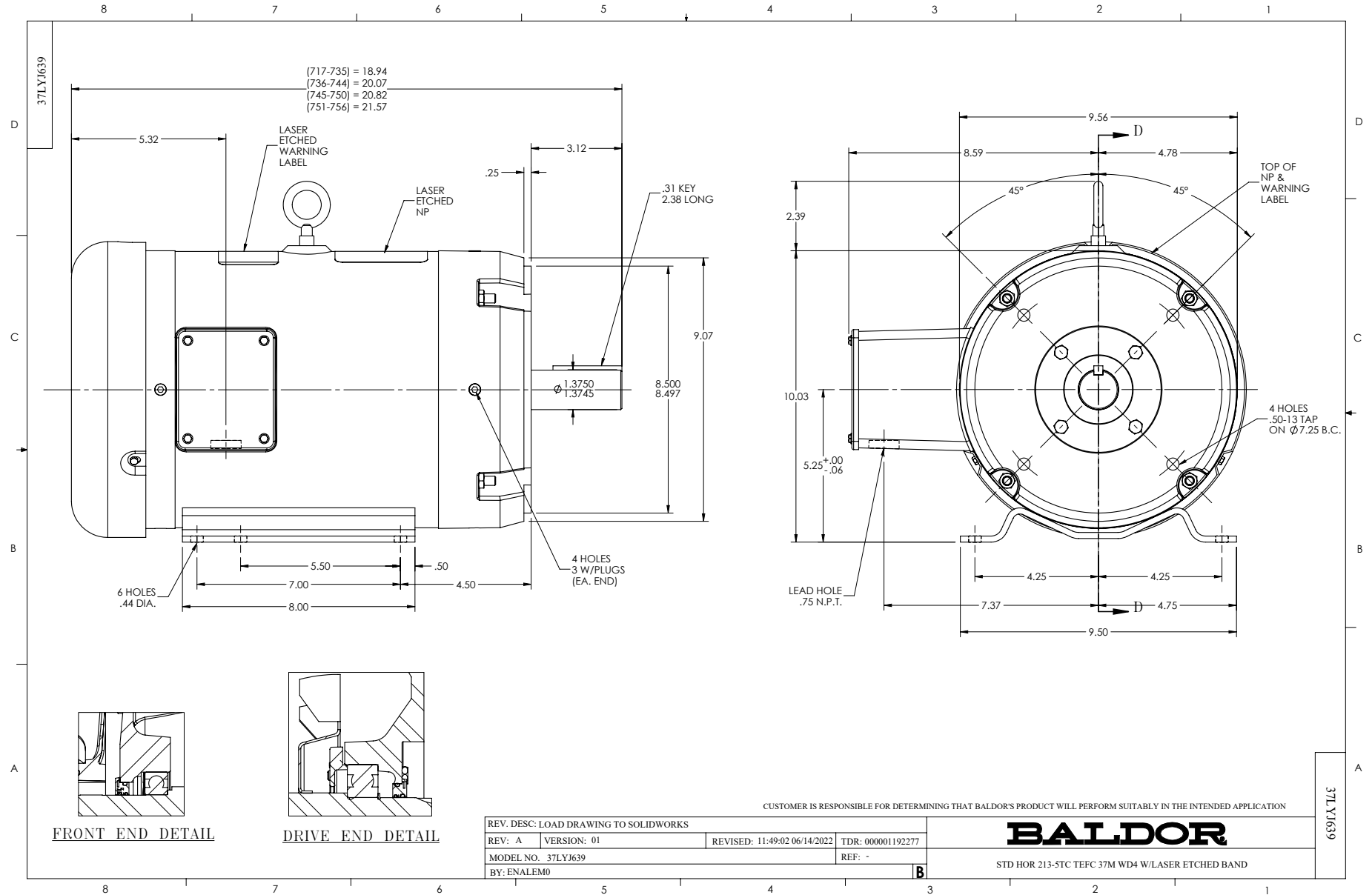
Typical performance - not guaranteed values.

10 HP 3 PH 60 HZ 3500 RPM 575 V 3744M

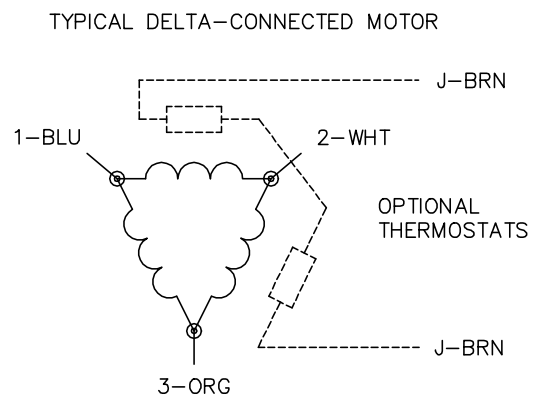
TORQUES (LB-FT): PO=78.1 PU=37.3 LR=47.1 LRA=88.4



4/23/2025 ACPERF, record # 38762



CD0006



NOTES:

1. THREE LEAD MOTOR MAY BE EITHER WYE CONNECTED OR DELTA CONNECTED.
2. INTERCHANGE ANY TWO LINE LEADS TO REVERSE ROTATION.
3. OPTIONAL THERMOSTATS ARE PROVIDED WHEN SPECIFIED.
4. ACTUAL NUMBER OF INTERNAL PARALLEL CIRCUITS MAY VARY.
5. LEAD COLORS ARE OPTIONAL. LEADS MUST BE NUMBERED AS SHOWN.

CD0006

REV. DESC: ADD CLASS CONN00000007		
REV. LTR: E	VERSION: 01	TDR: 000001099922
FILE: \AAA\00005\141	REVISED: 10:24:49 02/19/2019	BY: ENBRIRO
MTL: -	© □	

**BALDOR - RELIANCE®**

3PH, SV, 3 LEADS, WYE OR DELTA CONNECTED

SH 1 of 1